



**BOARD LEVEL COOLING – Extruded 5810**

Extruded 5810 is a series of rectangular bi-directional board level heat sinks designed to cool TO-218, TO-220, and TO-220-single gauge devices. Representative image only.

**ORDERING INFORMATION**

Part Number	Device Type
581002B02500G	TO-220, TO-220-single gauge
581101B02500G	TO-218
581102B02100G	TO-220, TO-220-single gauge
581102B02500G	TO-220, TO-220-single gauge
581202B02500G	TO-220, TO-220-single gauge



**HEAT SINK DETAILS**

Property	Details
Material	Aluminum
Finish	Black Anodize
Device Attachment Options	Requires Mounting Kit
Thermal Interface Material	-

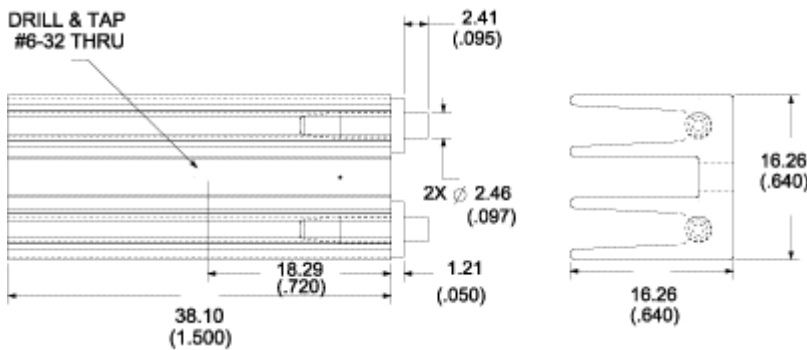
Property	Details
Heat Sink Width (mm)	16.26
Heat Sink Length (mm)	16.26
Heat Sink Height (mm)	See "A" Dim below
Heat Sink Mounting Direction	Vertical

**MECHANICAL & PERFORMANCE**

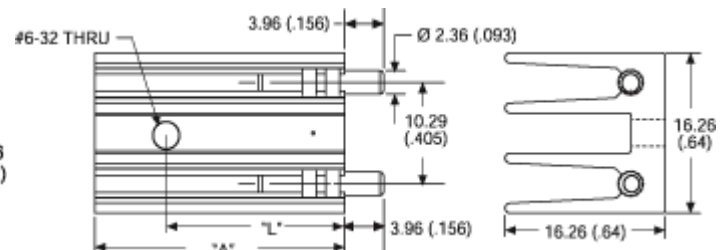
Drawing dimensions are shown in mm, (in)

Part Number	"A" Dim	"L" Dim	"X" Dim	"Y" Dim	"Z" Dim
581002B02500G	25.40	18.29	5.16 (0.203)	3.45 (0.136)	2.67 (0.105)
581101B02500G	38.10	21.59	5.16 (0.203)	3.45 (0.136)	2.67 (0.105)
581102B02100G	38.10	-	5.16 (0.203)	3.45 (0.136)	3.10 (0.122)
581102B02500G	38.10	18.29	5.16 (0.203)	3.45 (0.136)	2.67 (0.105)
581202B02500G	50.88	18.29	5.16 (0.203)	3.45 (0.136)	2.67 (0.105)

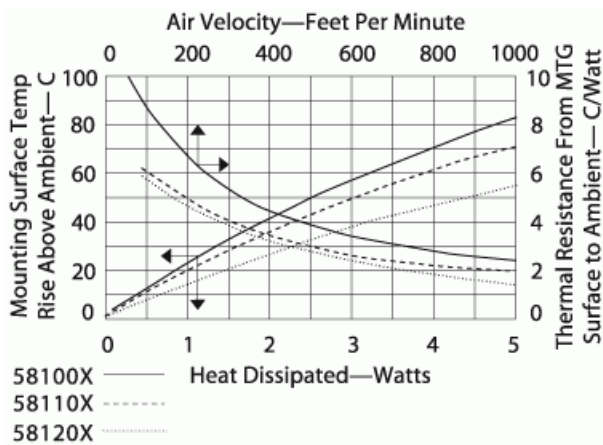
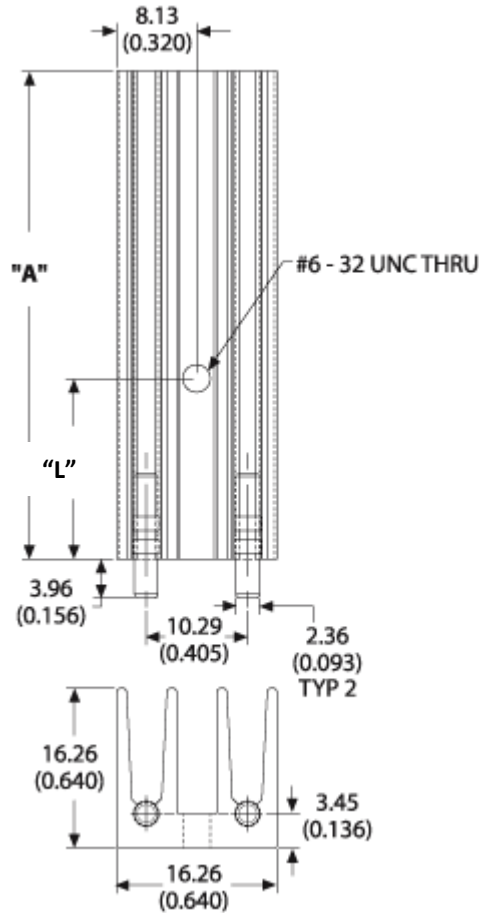
Part Number: 581102B02100G



Part Number: 581202B02500G



Part Number: 581002B02500G, 581101B02500G,  
581102B02500G



Mounting Details:

