

4

3

2

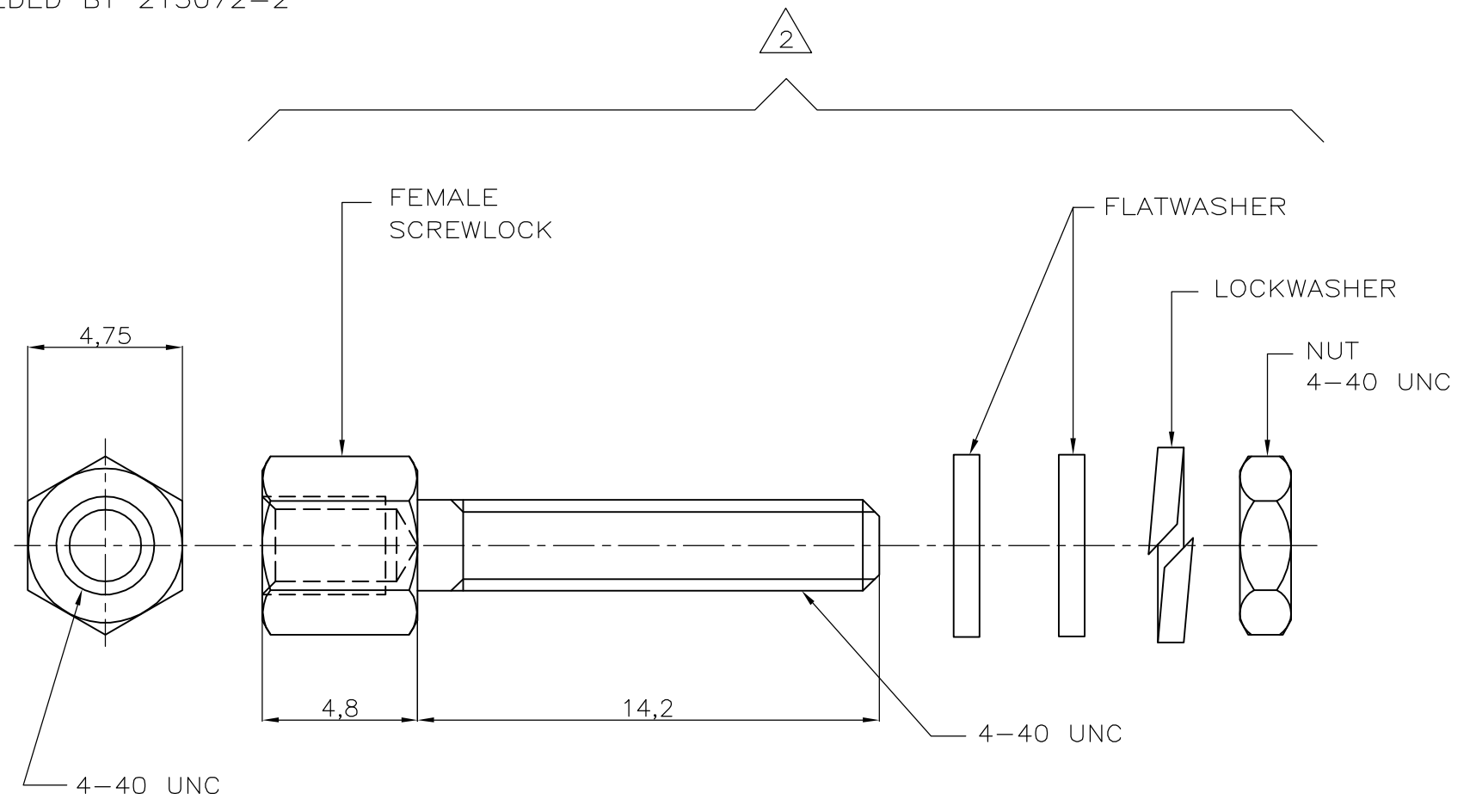
1

THIS DRAWING IS UNPUBLISHED. RELEASED FOR PUBLICATION  
 © COPYRIGHT - BY TYCO ELECTRONICS CORPORATION. ALL RIGHTS RESERVED.

LOC	DIST	REVISIONS					
H	-	P	LTR	DESCRIPTION	DATE	DWN	APVD
		B		ECR-06-020201	06-12-06	BSV	MK

NOTES:

- 1 PARTS PACKAGED UNASSEMBLED
- 2 THIS KIT CONTAINS TWO SCREWLOCK ASSEMBLIES
- 3 BULKPACKAGE CONSISTS OF 50 KITS  
PLEASE ORDER IN UNITS OF 50 KITS
- 4 FOR MOUNTING INSTRUCTIONS SEE I-042-087
- 5 215072-1 SUPERSEDED BY 215072-2



BULK PACKAGED <sup>3</sup>	BRIGHT TINPLATED	STEEL	215072-2
BULK PACKAGED <sup>3</sup>	ZINC YELLOW CHROMATE		<sup>5</sup> 215072-1
DESCRIPTION	FINISH	MATERIAL	PART NUMBER

THIS DRAWING IS A CONTROLLED DOCUMENT.		DWN P.D.JAGER 10APR89	Tyco Electronics Corporation s-HertogenBosch, Nederland,	
DIMENSIONS: MM		CHK - 19APR89		
TOLERANCES UNLESS OTHERWISE SPECIFIED:		APVD - 05JUN89	NAME AMPLIMITE, KIT, FEMALE SCREWLOCK ASSEMBLY 4-40 UNC	
0 PLC ± - 1 PLC ± - 2 PLC ± - 3 PLC ± - 4 PLC ± - ANGLES ± -		PRODUCT SPEC -	SIZE A3	
MATERIAL -		APPLICATION SPEC -	CAGE CODE 00779	DRAWING NO C-215072
FINISH -		WEIGHT -	RESTRICTED TO -	
CUSTOMER DRAWING			SCALE NTS	SHEET 1 OF 1
			REV B	