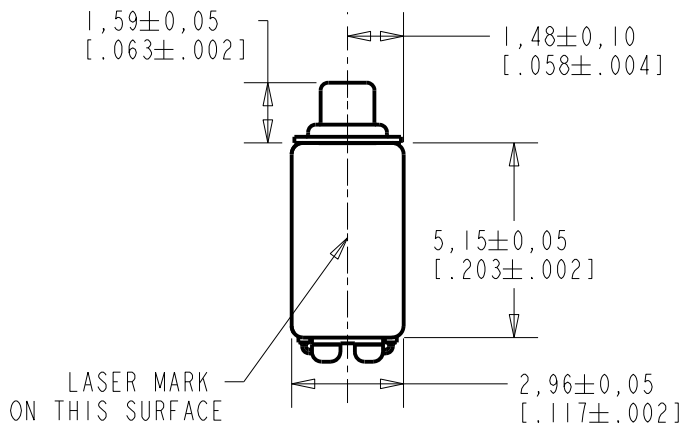
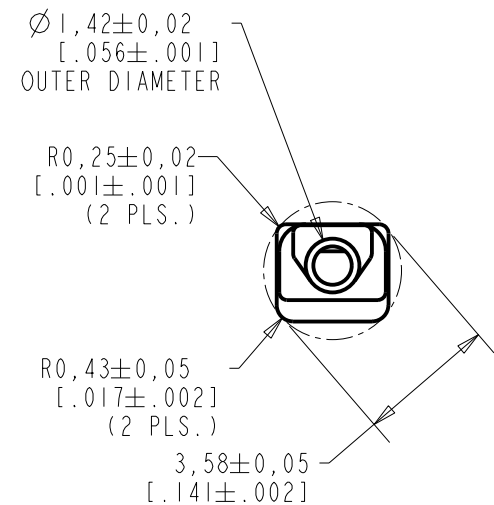
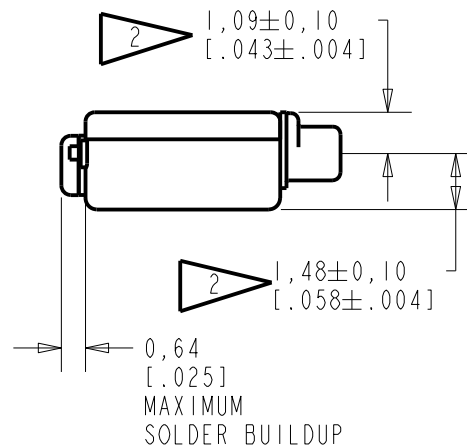
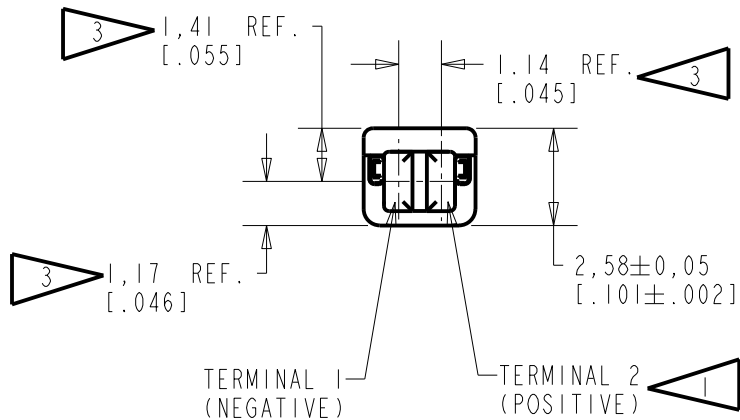


**RAB-32063-000**

**SHT 1.1**



- NOTE:
- 1 A POSITIVE GOING VOLTAGE AT TERMINAL 2, RELATIVE TO TERMINAL 1, CAUSES AN INCREASE IN PRESSURE AT THE SOUND OUTLET.
  - 2 LOCATED FROM TWO SURFACES FOR CUSTOMER CONVENIENCE. ONLY APPLICABLE FROM ONE SURFACE, NOT TO BE USED TOGETHER.
  - 3 DIMENSION TO APPROXIMATE CENTER OF TERMINAL PAD.



SCALE 2:1

NOMINAL WEIGHT  
.17 GRAMS

DIMENSIONS IN MILLIMETERS [INCHES]

**KNOWLES ELECTRONICS**  
ITASCA, ILLINOIS U.S.A.

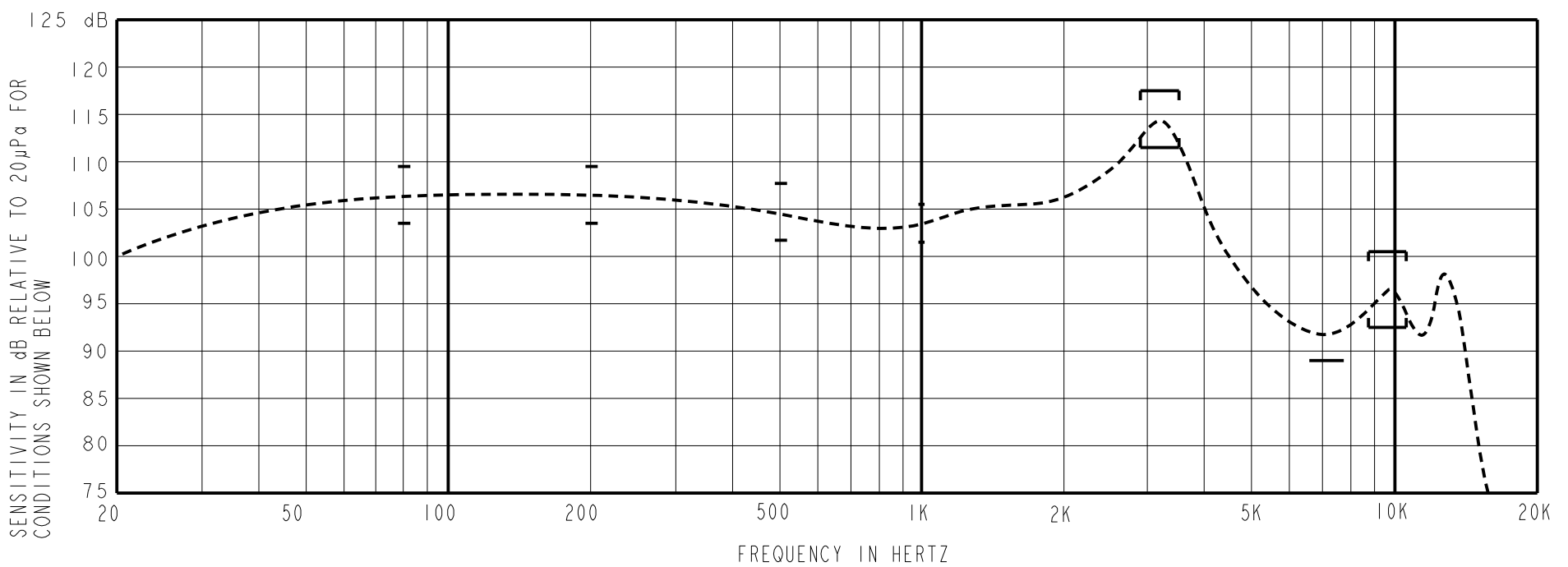
Revision	C.O. #	Implementation Date	RELEASE LEVEL	REVISION
			<b>Active</b>	<b>A</b>
A	CI0115003	8-8-13		

SCALE: <b>5:1</b>		DR. BY: OQ	DATE: 8-8-13
DO NOT SCALE DRAWING			
TITLE: <b>RECEIVER</b>		APP. BY: GJP	DATE: 8-9-13
OUTLINE DRAWING		GJP 8-9-13	

**RAB-32063-000**

**SHT 1.1**

CONSTANT VOLTAGE DRIVE RESPONSE



**ACOUSTICAL**

SENSITIVITY DEVICE WILL PRODUCE THE SPL LISTED BELOW WITH THE TEST CONDITIONS DESCRIBED IN TABLE 3. NOMINAL SENSITIVITY AT 1 kHz IS dB RELATIVE TO 20µPa. ALL OTHER VALUES IN dB RELATIVE TO THE SENSITIVITY AT 1 kHz.

LIMIT TYPE	FREQUENCY (Hz)	MINIMUM	NOMINAL	MAXIMUM
REL	80	0.0	+3.0	+6.0
REL	200	0.0	+3.0	+6.0
REL	500	-1.8	+1.2	+4.2
REF	1000	-2.0	103.5	+2.0
PEAK	2900-3500	+8.0	+11.0	+14.0
VALLEY	6600-7800	-14.5	---	---
PEAK	8800-10800	-11.0	-7.0	-3.0

TABLE 1.

TOTAL HARMONIC DISTORTION DEVICE WILL NOT EXCEED TOTAL HARMONIC DISTORTION LEVELS LISTED BELOW.

FREQUENCY (Hz)	DRIVE (Vrms)	LIMIT (%)
1066	0.115	3
1600	0.115	3
1066	0.324	10
1600	0.324	10

TABLE 2.

**TEST CONDITIONS**

NOMINAL SOURCE VOLTAGE	0.115 Vrms
SOURCE IMPEDANCE	< 1 Ω
TUBING	TUBELESS, KNOWLES TOOL NUMBER T8688
COUPLER CAVITY	IEC 60318-4 (IEC 711)

TABLE 3.

**ELECTRICAL**

DC RESISTANCE	22.0 Ω ±10%
IMPEDANCE @ 500 Hz	30.5 Ω ±15%
IMPEDANCE @ 1 kHz	46.3 Ω ±15%
INDUCTANCE @ 500 Hz	7.2 mH TYPICAL

TABLE 4.

ISOLATION: THE CASE WILL BE ELECTRICALLY ISOLATED FROM THE COIL CIRCUIT

**MECHANICAL**

PORT LOCATION: 12C

SOLDER TYPE: ROHS COMPLIANT SAC305

TEMPERATURE

OPERATING: SENSITIVITY WILL NOT VARY MORE THAN +1/-3 dB FROM 0°C TO 63°C  
STORAGE: -40°C TO 63°C

**KNOWLES ELECTRONICS**  
ITASCA, ILLINOIS U.S.A.

Revision	C.O. #	Implementation Date	RELEASE LEVEL	REVISION
A	C10115003	8-8-13	Active	A

WHEN TEST LIMITS ARE USED TO ESTABLISH INCOMING INSPECTION ACCEPTANCE/REJECTION CRITERIA, CORRELATION OF TEST EQUIPMENT WITH KNOWLES IS ALSO REQUIRED FOR ELIMINATION OF EQUIPMENT AND TEST METHOD VARIATION		DR. BY	DATE
TITLE: RECEIVER		OO	8-8-13
PERFORMANCE SPECIFICATION		GJP	8-9-13
RAB-32063-000		APP. BY	DATE
SHT 2.1		GJP	8-9-13