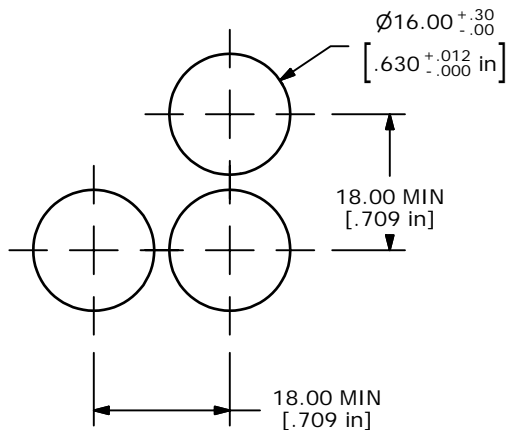
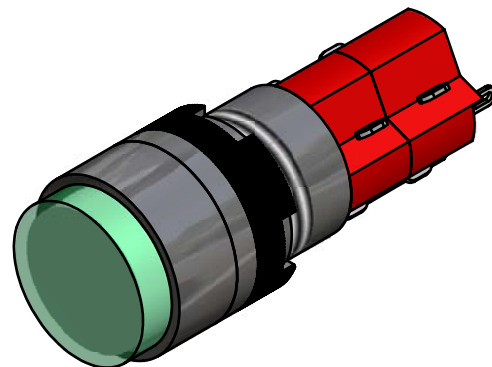
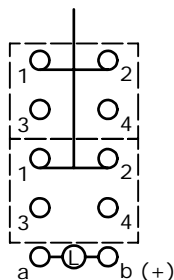
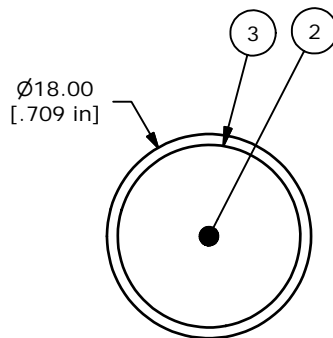


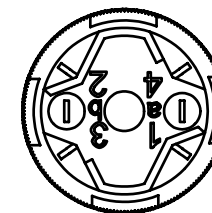
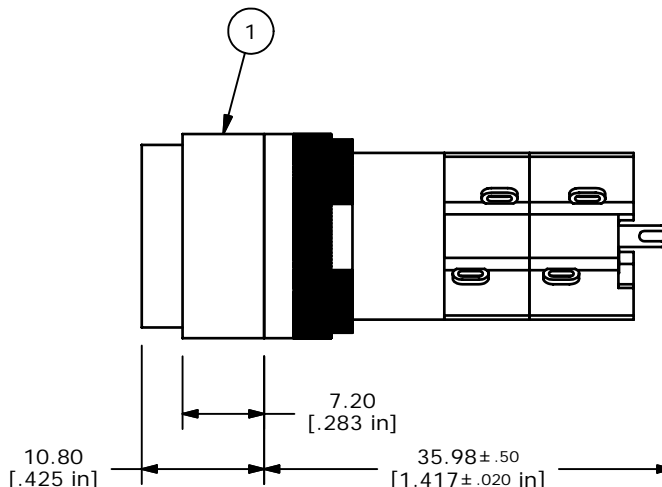
ITEM	QTY	PART NUMBER	DESCRIPTION
1	1	F040016	D16EER12
2	1	F050411	50-004-11 110VAC GREEN NEON
3	1	F050102	50-001-02 ROUND GREEN LENS



PANEL MOUNTING



CONTACT CONFIGURATION



NOTE:

1. ALL DIMENSIONS IN MM [INCH]
2. GENERAL TOLERANCE: X.X=±0.4
X.XX=±0.25
3. TERMINAL NUMBERS FOR REF ONLY
4. MECHANICAL LIFE: 2,000,000 OPERATIONS
5. INSULATION RESISTANCE: 1,000 MILLI-OHM MIN.
6. OPERATING TEMP.: -25°C to 70°C
- ▲ 7. LAMP VOLTAGE: 110VAC GREEN NEON
8. ▲ DENOTES CRITICAL PARAMETER.



A	16128	RELEASED FOR PRODUCTION	6/13/06	CT
REV	PCR NO	DESCRIPTION	DATE	BY

TITLE	D16EER12FGRNGRN			
-------	-----------------	--	--	--

SCALE	DATE	DR	DWG	REV
2:1	6/13/2006	CT	XF0678P	A

THE INFORMATION CONTAINED IN THIS DOCUMENT IS PROPRIETARY TO E-SWITCH AND IS NOT TO BE COPIED OR TRANSFERRED