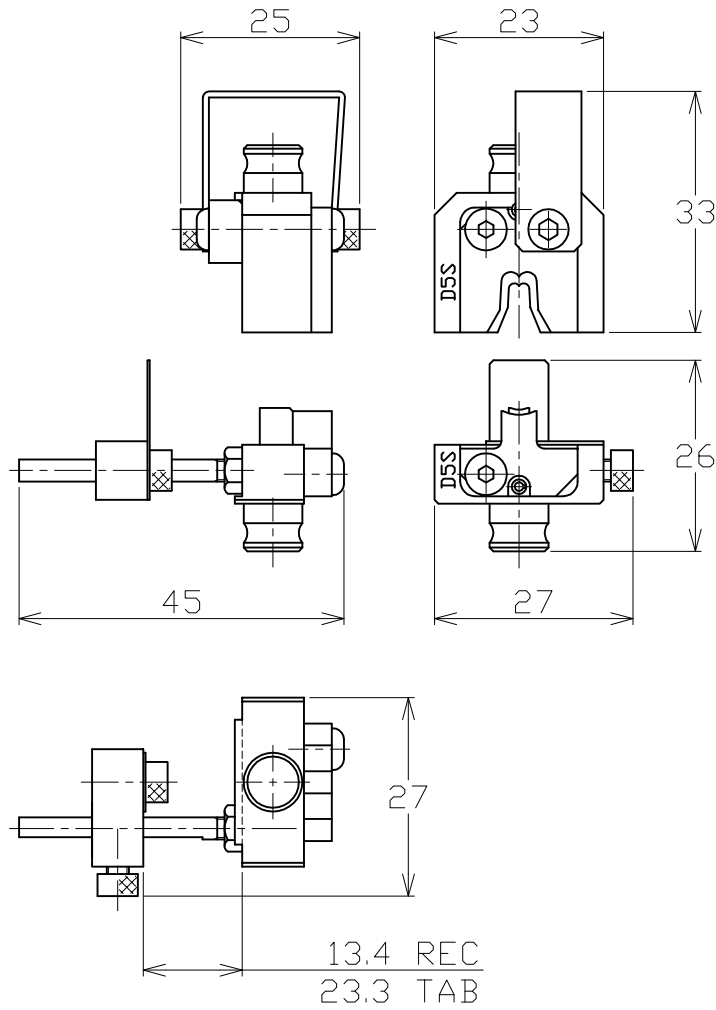


LOC	DIST	REVISIONS					
J	—	P	LTR	DESCRIPTION	DATE	DWN	APVD
		A	RELEASED		05NOV2012	S.N	J.K
TERMINAL No.	WIRE SIZE (mm ²)	AWG#	INS. RANGE (mm)	TERMINAL CH (mm)		APPL. SPEC.	
				WIRE	INS.		
316040-2 316040-3 316040-6	1.23-2.00	#16	ø3.0-ø3.8	1.81-2.00	3.76-4.52	114-5206	
917804-2				1.81-2.23			
917804-3	2.00-2.27	#14					
917804-6							



THIS DRAWING IS UNPUBLISHED. ALL RIGHTS RESERVED. © COPYRIGHT - By Tyco Electronics Japan G.K.

PART No.	REMARKS
2155822-1	D5000-S

DIMENSIONS: mm	DWN S.NAKA 05NOV2012	MATERIAL	FINISH
	CHK S.NAKA 05NOV2012		
TOLERANCES UNLESS OTHERWISE SPECIFIED:	APVD J.KOGA 05NOV2012		
	PRODUCT SPEC		
0 PLC ± -	—	NAME DIES, D5-S, TE REC-Li60	
1 PLC ± -	—	SIZE	CAGE CODE
2 PLC ± -	—	A4	00779
3 PLC ± -	—	DRAWING NO	RESTRICTED TO
4 PLC ± -	—	© 2155822	—
ANGLES ± -	—	WEIGHT	SCALE
	SEE TABLE	Approx. 72g	1:1
	CUSTOMER DRAWING		SHEET 1 OF 1
			REV A