

THIS DRAWING IS UNPUBLISHED. RELEASED FOR PUBLICATION  
 © COPYRIGHT BY TYCO ELECTRONICS CORPORATION. ALL RIGHTS RESERVED.

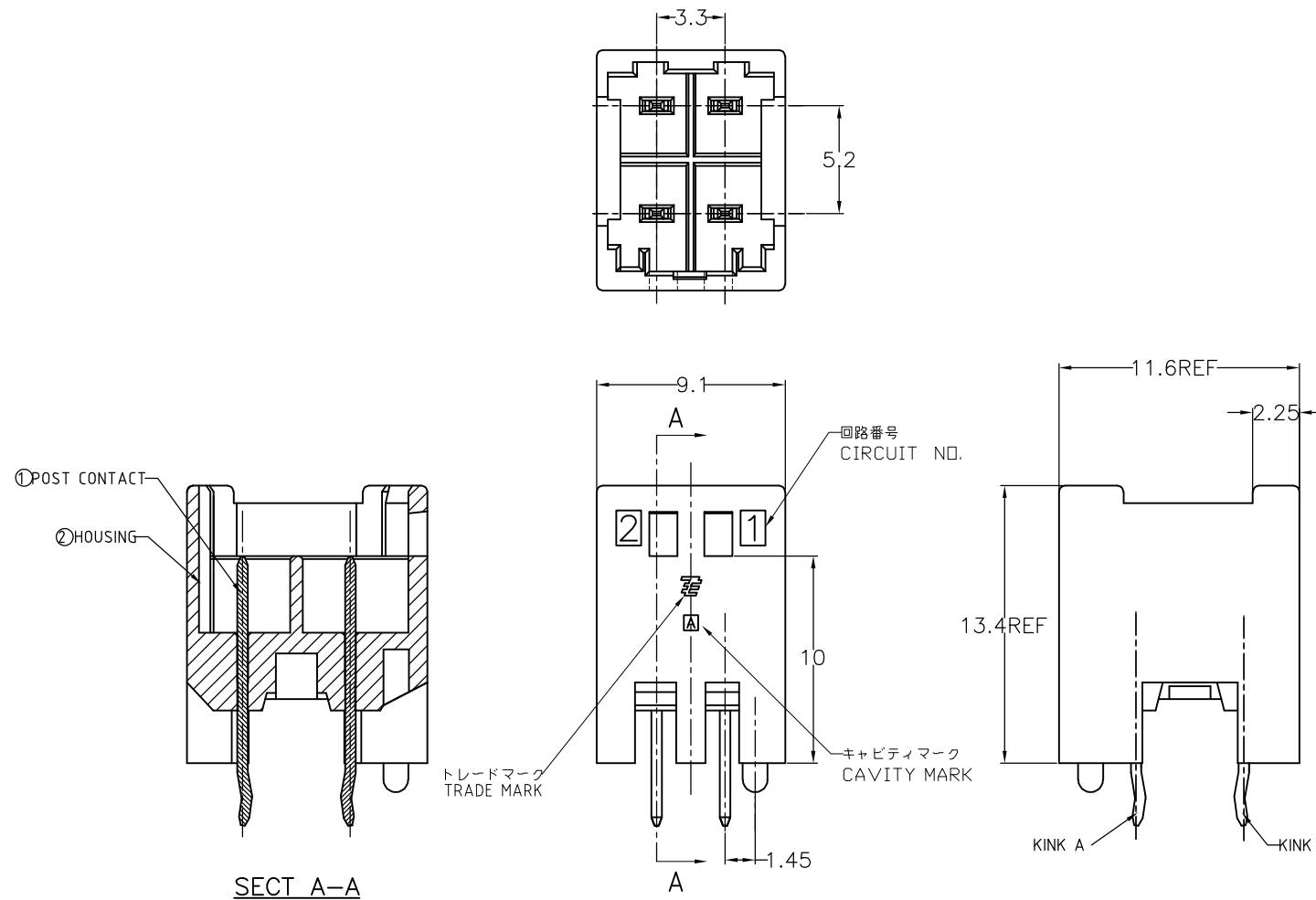
LOC	DIST	REVISIONS					
		P	LTR	DESCRIPTION	DATE	DWN	APVD
J	—		E1	REVISED PER ECR-10-019980	04OCT10	HMR	TM

TABLE

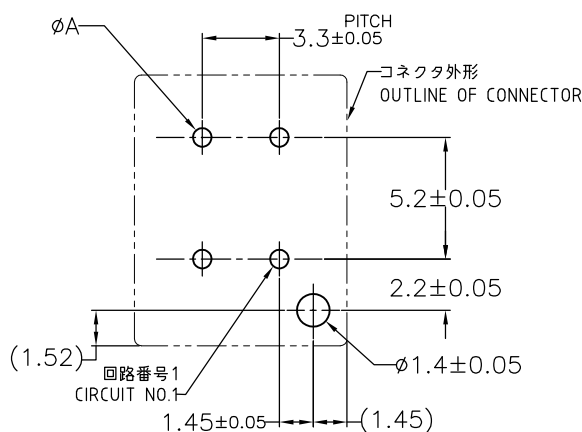
②	ヘッダーハウジング (HEADER HOUSING)	6/6ナイロンガラス強化 (6/6 NYLON GRASS FILLED)
①	ポストコンタクト (POST CONTACT)	錫めっき仕上げ 銅合金 (COPPER ALLOY TIN PLATED)
NO.	名称 (NAME)	材料 (MATERIAL)

- 注)  
 ① 取付穴寸法  
 ② 適応基板厚: 1.6t  
 ③ かん合相手製品型番:  
 プラグハウジング: SEE TABLE

- NOTES)  
 ① RECOMMENDED P.C.B LAY OUT  
 ② APPLICABLE P.C.B. THICKNESS:1.6  
 ③ MATING CONN. P/N  
 PLUG HOUSING :SEE TABLE



① PCB. LAYOUT ON RECOMMENDATION



パンチ加工 (PUNCHED HOLE)	0.7 <sup>+0.1</sup> <sub>-0</sub>
ドリル加工 (DRILLED HOLE)	0.8±0.05
	A 寸法 DIM. A

× CHARACTER S IS STRAIGHT PIN.

4 POS	KINK FORM	B	B
	CIRCUIT NO.	3	4
	KINK FORM	A	A
	CIRCUIT NO.	1	2

THIS DRAWING IS A CONTROLLED DOCUMENT.		DWN T.HATANO 19APR2005	Tyco Electronics AMP K.K. Kawasaki, Japan	
DIMENSIONS: mm		CHK N.YAMASAKI 19APR2005	NAME GRACE INERTIA CONNECTOR 3.3 HEADER ASSEMBLY 4POS	
TOLERANCES UNLESS OTHERWISE SPECIFIED:		APVD N.YAMASAKI 19APR2005	PRODUCT SPEC 108-78231	
0 PLC ± 0.3		APPLICATION SPEC		
1 PLC ± 0.3		SIZE A3		
2 PLC ± 0.3		CAGE CODE 00779		
3 PLC ±		DRAWING NO G- 1827391		
4 PLC ±		RESTRICTED TO —		
ANGLES ±		SCALE 3:1		
FINISH		SHEET 1 OF 1		
MATERIAL		REV E1		
CUSTOMER DRAWING				

2-1827385-1	WITH	BLUE	2-1827391-1
1827385-1	WITHOUT	NATURAL	5-1827391-1
1827385-1	WITH	NATURAL	1827391-1
MATING CONN. P/N	KINK	COLOR	PART NUMBER