

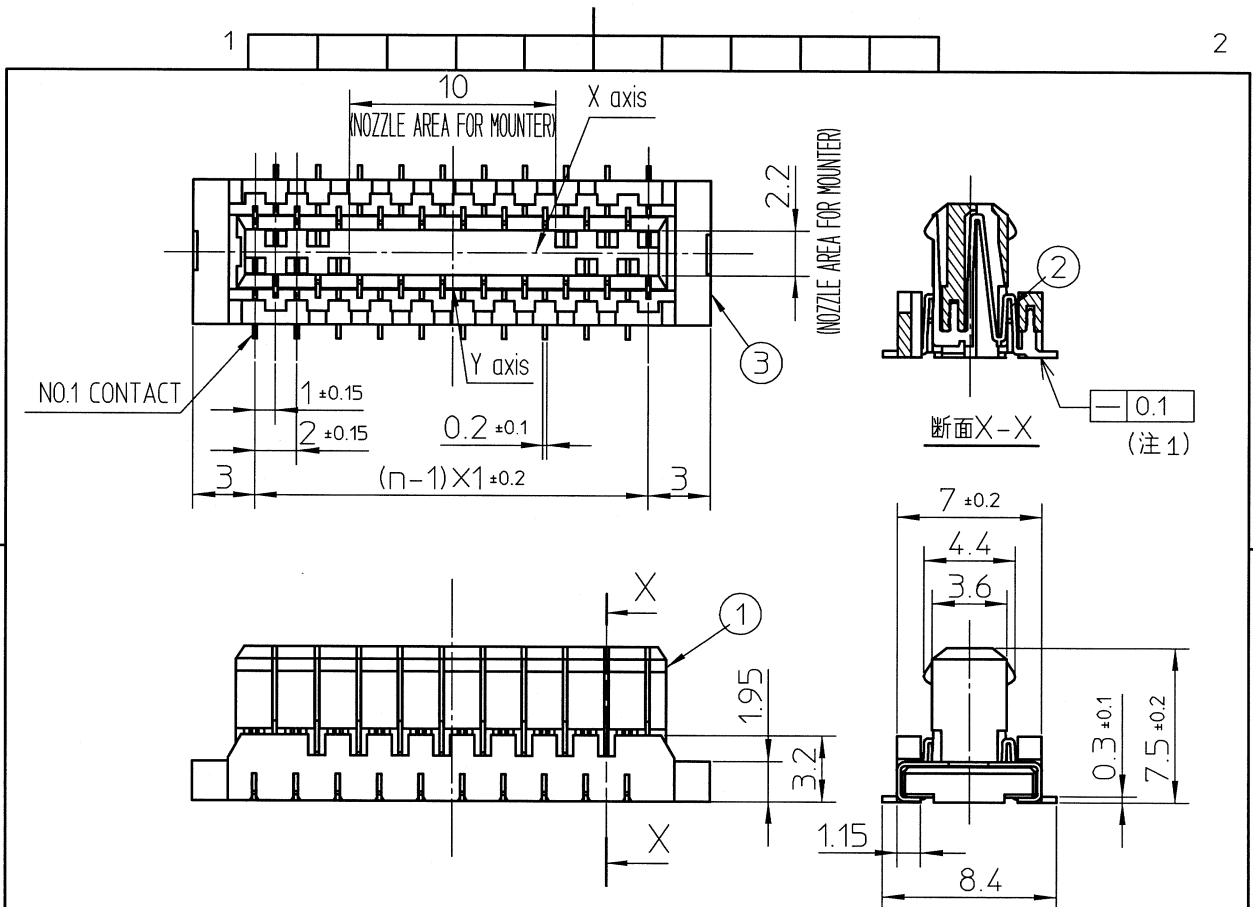
PT. NO.	PARTS NAME	CAT. NO.	MATERIAL	Q'TY	NOTE
1	REEL	—	POLYSTYRENE	1	—
2	PLASTIC (EMBOSS) TAPE	—	PET RESIN OR PP RESIN	—	COLOR : TRANSPARENCY
3	COVER	—	POLYESTER	—	COLOR : TRANSPARENCY
4	CONNECTOR	BTFW_P-3SSTPGLF	SEE JSA97402	700	—

DIMENSIONS

CATALOG NUMBER	NO. OF CONTACT(ONLY EVEN POS.)	A	B	C
BTFW18/20P-3SSTPGE4LF	18 AND 20	50.4	44	40.4

- NOTES
1. THIS IS PLASTIC TAPE PACKAGED CONNECTOR USED FOR BOARD TO BOARD COPES WITH AUTOMATIC MOUNTING (SMT).
 2. SEE JIS C 0806 (PACKING OF ELECTRONIC COMPONENTS ON CONTINUOUS TAPES (SURFACE MOUNTING DEVICES)) FOR SHAPE AND DIMENSIONS OF PLASTIC (EMBOSS) TAPE AND REEL.
 3. THIS DIMENSION IS PORTION OF THE CORE.

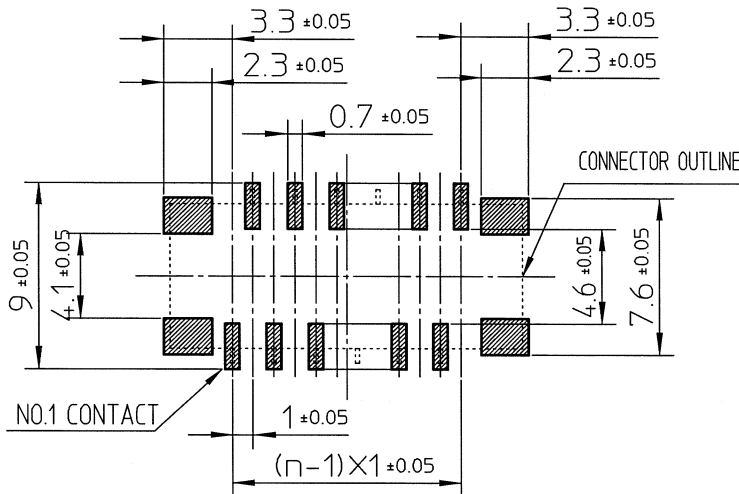
mat'l. code				surface ISO 1302 ✓		tolerance ISO 406 ISO 1101		projection		product family 590F			
ltr	ecn no	dr	date	tolerances unless otherwise specified						title PLASTIC TAPE PACKAGED BOARD TO BOARD PLUG CONNECTOR (GOLD PLATING, LEAD FREE AND PLASTIC REEL) (CAT.No.BTFW_P-3SSTPGE4LF)			
A	J08-0128	M.K	Mar.19,'08	angles	linear	± 5		scale		dwg no JSA 97401 sheet 1 of 1 size A4			
B	J08-0214	M.K	May.19,'08			± 5'		FCI					
				dr	K.Higuchi	May.19,'08	FCI		type Product Customer Drawing				
				enr	M.Koga	May.19,'08							
				chr	K.Higuchi	May.19,'08							
				appd	M.Koga	May.19,'08							
sheet index		revision sheet								Rev B			



PT. NO.	PARTS NAME	MATERIAL	Q'TY	NOTE
1	HOUSING	GLASS FILLED THERMOPLASTIC RATED.(UL94V-0)	1	COLOR:BRACK
2	CONTACT	PHOSPHOR BRONZE	n	PLATING CONTACT AREA:GOLD OVER NICKL TERMINAL AREA:TIN(LEAD FREE)
3	MOUNTING PLATE	BRASS	2	PLATING:TIN(LEAD FREE)

n:NO. OF CONTACTS

RECOMMENDED PC BOARD LAYOUT
(COMPONENT SIDE)



NOTE

- 1.This connector is symmetric for X,Y axis. As a result, It is possible to locate in emboss cavity even if rotated condition.
- 2.Flatness for contact terminal and mounting plate must be within 0.1.
- 3.This product meets European Union Directives and other country regulations as described in GS-22-008.

NUMBER OF CONTACTS : 18 AND 20

mat'l. code		surface ISO 1302 ✓		tolerance ISO 406 ISO 1101		projection 		product family 590F		
ltr	ecn no	dr	date	tolerances unless otherwise specified						
A	J07-0128	M.K	Mar.19'08	angles		linear		title FLOATING BOARD TO BOARD PLUG CONNECTOR (GOLD PLATING AND LEAD FREE) (CAT.No. BTFW_P-3SSTPGLF)		
						± 0.3		scale		
				dr	M.Koga	Mar.19,08			dwg no sheet 1 of 2 size	
				enr	M.Koga	Mar.19,08			JSA 97402 A4	
				chr	K.Higuchi	Mar.19,08			type Product Customer Drawing	
				appd	M.Koga	Mar.19,08				
sheet index	revision sheet								Rev	A