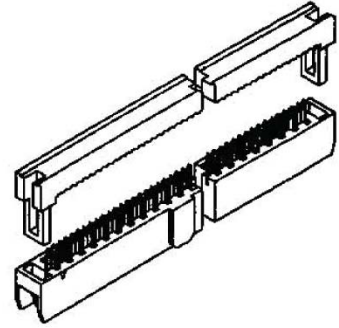
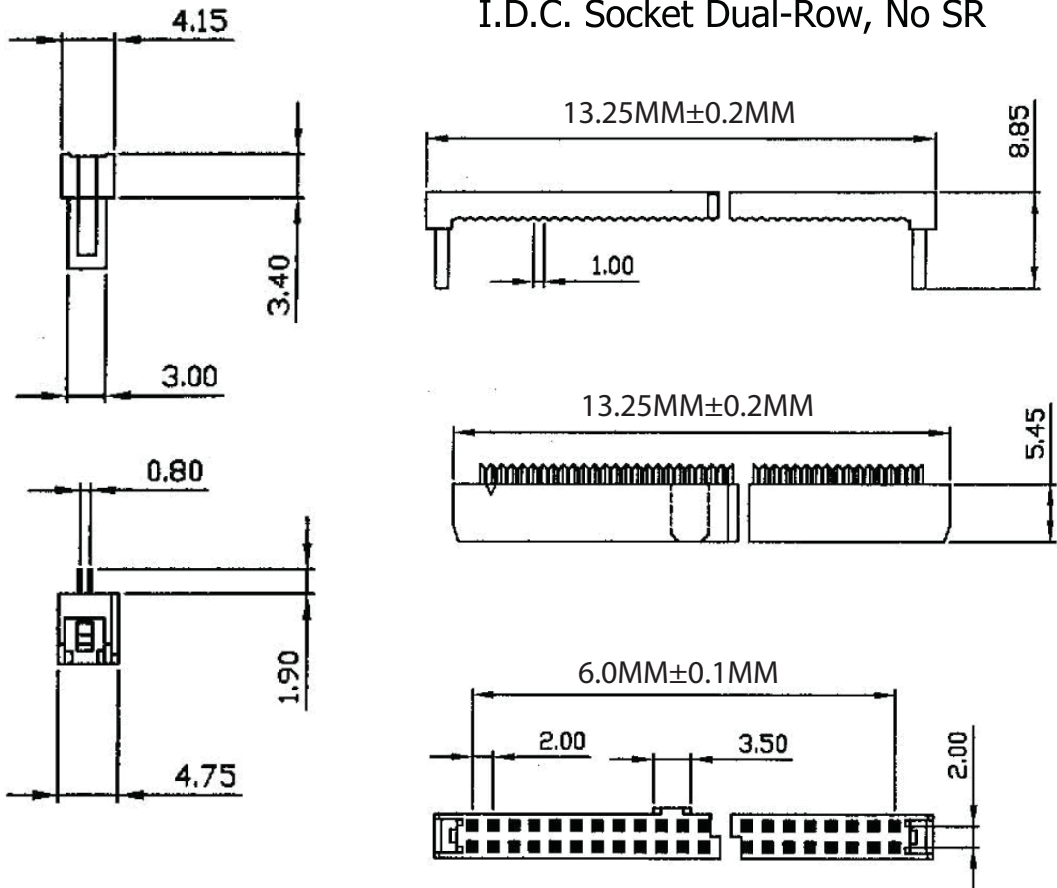


I.D.C. Socket Dual-Row, No SR



Materials:

- Insulator: P.B.T. 30% Glass Fiber, UL94V-0
- Contact Material: Phosphor Bronze
- Gold Flash over Nickel

Electrical:

- Current Rating: 1 Amp
- Insulation Resistance: 1,000MΩ Min.
- Dielectric Withstanding, 500V AC
- Operating Temperature: -55°C ~ +105°C

Unit: MM±0.3MM

Scale	1:1						Name	Item No.	
TOLERANCE							Drawn	10.19.11	
X.X	±0.40						Chappell	<p>AWP2-08-7240-T-R</p> <p>Title IDC-Socket, Pitch 2.0MM, 8 Contacts Central Guide Lug w/o Strain Relief, Gold Flash Drawing No.</p>	
X.XX	±0.25						Approved		
X.XXX	±0.15								
Angle	±3°							rev00	
<p>Modification</p>							Date	Name	
							<p>ASSMANN components</p>		Replace
									Sheet

