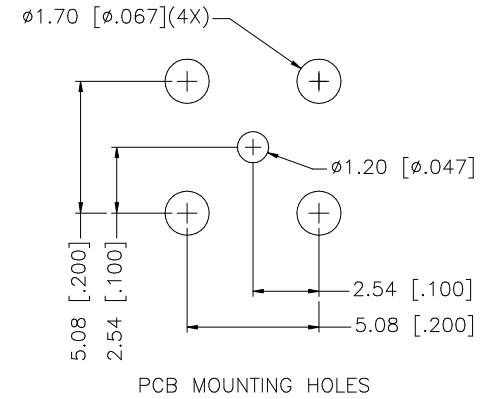
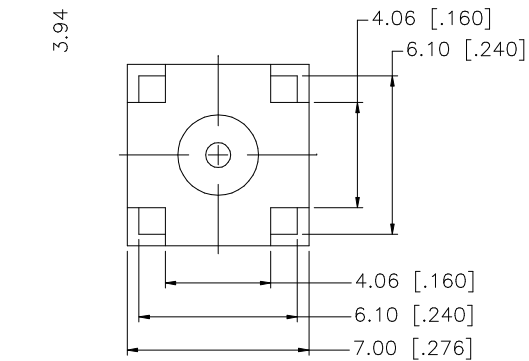
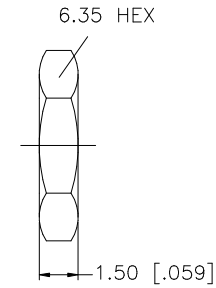
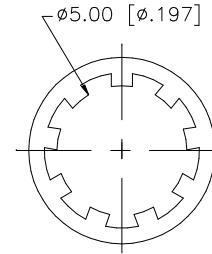
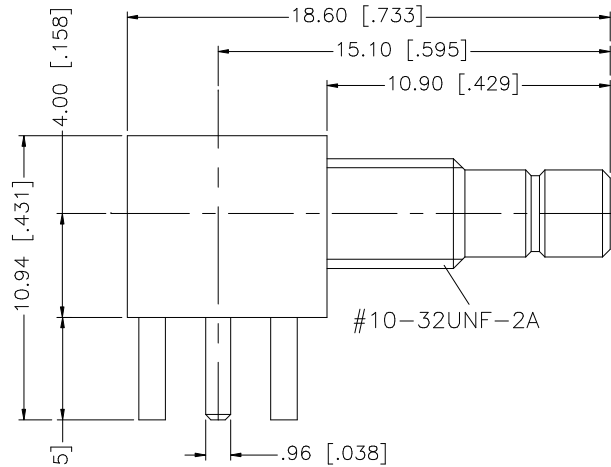


REV.	DATE	DESCRIPTION
NC	06/06/99	INITIAL RELEASE
A	07/20/05	UPDATE DRAWING FORMAT



8					<small>UNLESS OTHERWISE SPECIFIED DIMENSIONS ARE IN MILLIMETERS. DIMENSIONS IN [] ARE IN INCHES AND FOR CUSTOMER REFERENCE ONLY.</small> <small>UNLESS OTHERWISE SPECIFIED TOLERANCES FOR MILLIMETERS ARE:</small> 0.5 - 8mm ± 0.20mm 8 - 30mm ± 0.40mm 30 - 120mm ± 0.50mm <small>UNLESS OTHERWISE SPECIFIED TOLERANCES FOR INCHES ARE:</small> .020 - .315 = ± 0.007" .315 - 1.180 = ± 0.015" 1.180 - 4.724 = ± 0.020"	APPROVALS	DATE	<h1 style="color: blue; margin: 0;">Amphenol Connex</h1>						
7				DRAWN		G.R.S.	07/20/05							
6				CHECKED				PART DESCRIPTION <h2 style="text-align: center; margin: 0;">SMB R/A P.C. MOUNT BULKHEAD JACK</h2>						
5	HEX NUT	BRASS	NICKEL	1		ISSUED								
4	LOCK WASHER	BRASS	NICKEL	1	SHEET	1 OF 1	PART NO. <h2 style="text-align: center; margin: 0;">142184</h2>							
3	CONTACT PIN	BRASS	GOLD	1						DWG. NO.	142184.DWG	REV.	A	SIZE
2	INSULATOR	TEFLON	NATURAL	1										
1	BODY	BRASS	GOLD	1										
DESCRIPTION				MATERIAL	FINISH	QTY	DO NOT SCALE DRAWING		CAD FILE		C:/142/142184.DWG			