

NOTES:

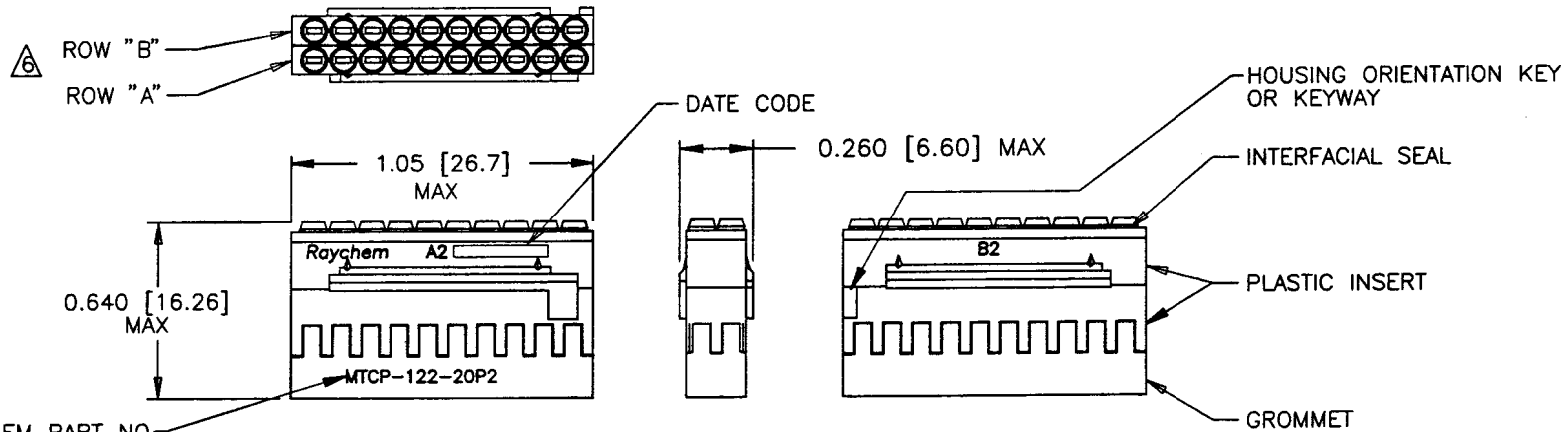
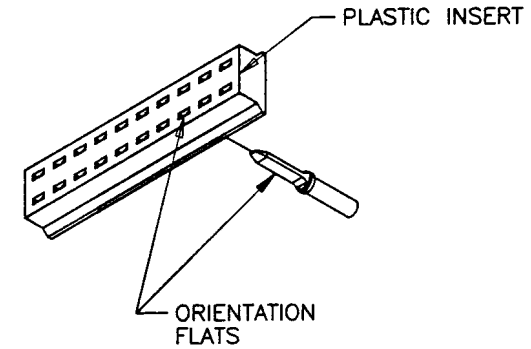
- THIS INSERT IS DESIGNED FOR USE IN RAYCHEM CONNECTOR HOUSING MTC100-JH2-XXX. (SEE RAYCHEM INFORMATION DRAWING D-659-0097 AND HOUSING SPECIFICATION CONTROL DRAWING FOR FURTHER DETAILS).
- PART DESCRIBED HEREON IS SUPPLIED AS SHOWN. IF CONTACTS, SEALING PLUGS, AND TOOLS ARE DESIRED, THE FOLLOWING MODIFICATION NUMBER IS TO BE ADDED TO THE PART NUMBER ON THE KIT PACKAGING LABEL ONLY:  

MOD. NO.	DESCRIPTION
022	WITH CONTACTS AND SEALING PLUGS
023	WITH CONTACTS, SEALING PLUGS AND TOOL

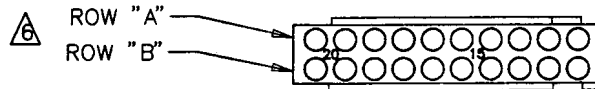
REFERENCE RAYCHEM INFORMATION DRAWING D-659-0097 FOR CRIMP TOOLS OR ADDITIONAL CONTACTS, SEALING PLUGS OR TOOLS.
- GROMMET DESIGNED TO SEAL ON WIRES HAVING AN INSULATION DIAMETER OF 0.030 TO 0.065.
- PERFORMANCE:  
THIS PRODUCT IS DESIGNED TO MEET THE APPLICABLE REQUIREMENTS OF RAYCHEM SPECIFICATION C-6115.
- MATERIALS:  

A) PLASTIC INSERT	HIGH GRADE POLYARYLENE THERMOPLASTIC
B) GROMMET	FLUOROSILICONE PER MIL-R-25988
C) INTERFACIAL SEAL	FLUOROSILICONE PER MIL-R-25988
D) RETENTION CLIPS (20) (INSIDE PLASTIC INSERT)	BERYLLIUM COPPER 172 PER QQ-C-533
- ROWS "A" AND "B" ARE AN INTEGRAL PART OF THE INSERT. ROWS "A" AND "B" ARE IDENTIFIED ON THE SIDE OF THE INSERT AS "A2" AND "B2".

REVISIONS			
LTR	DESCRIPTION	DATE	APPROVED
E	REVISED PER ECN #T-012894	89 SEPT 8	J. BLAIR
F	REVISED PER ECN T-18575	93OCT12	HIGGY
G	REVISED PER ECN T-20815	96/5/20	M. BLAIR



RAYCHEM PART NO.:



SPECIFICATION CONTROL DRAWING

UNLESS OTHERWISE SPECIFIED DIMENSIONS ARE IN INCHES. METRIC DIMENSIONS ARE IN BRACKETS.		DRAWN HAWKINGS 87 DEC 3	<b>Raychem</b> <small>RAYCHEM CORPORATION 300 CONSTITUTION DRIVE MENLO PARK, CALIFORNIA 94025</small>				
		CHECKED	TITLE INSERT, PIN, SECONDARY, 20 CAVITY, SIZE 22-20 REMOVABLE CONTACT 2" CONNECTOR MTC100 SERIES				
DECIMALS .XXX ±                  } mm .XX ±                   } mm .X ±                    }	APPROVED G.F. BLAIR 88 MAR 16	APPROVED J. CAMERON 88 MAR 16	CAD NAME 002321-1.DWG	SIZE C	CODE IDENT. NO. 06090	DWG. NO. MTCP-122-20P2	REV G
ANGLES .X ±	WEIGHT 2.06 g MAX.		THIRD ANGLE PROJECTION	DO NOT SCALE THIS DRAWING		SHEET 1 OF 1	

If this document is printed it becomes uncontrolled.  
Check with the web for latest revision.

ORIGINAL DOCUMENT