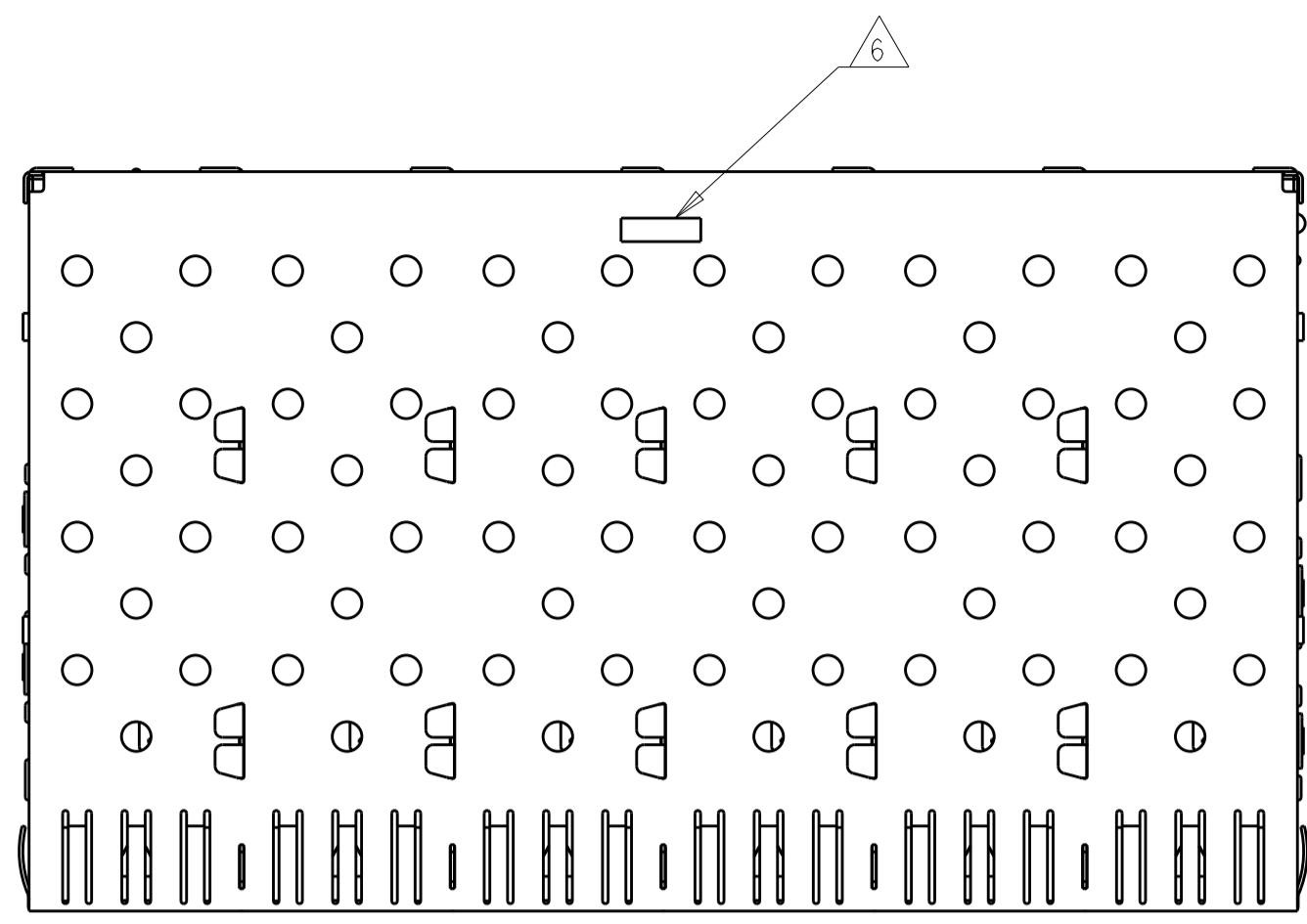


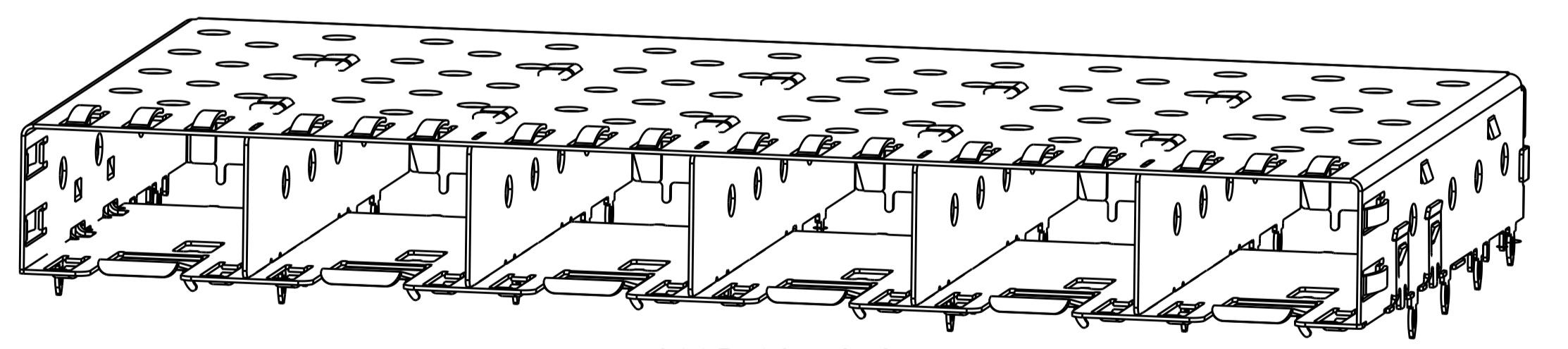
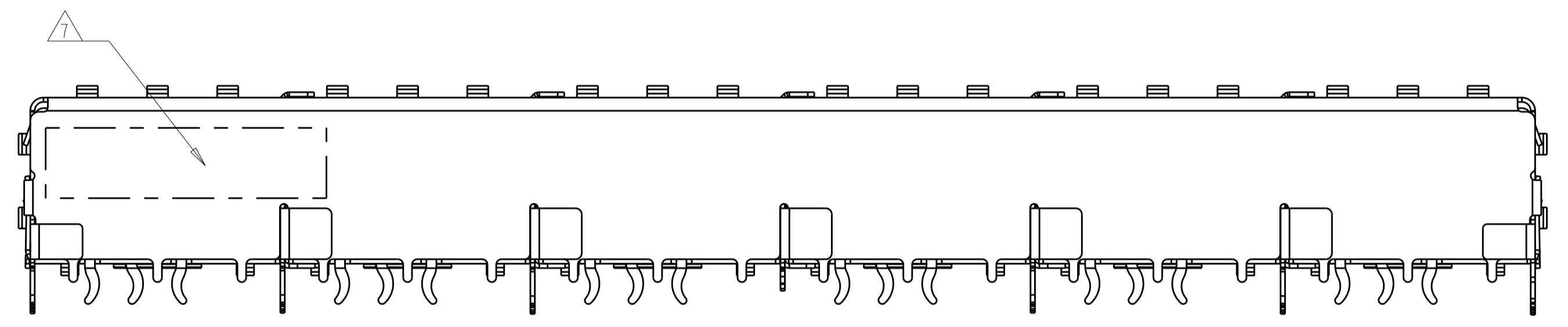
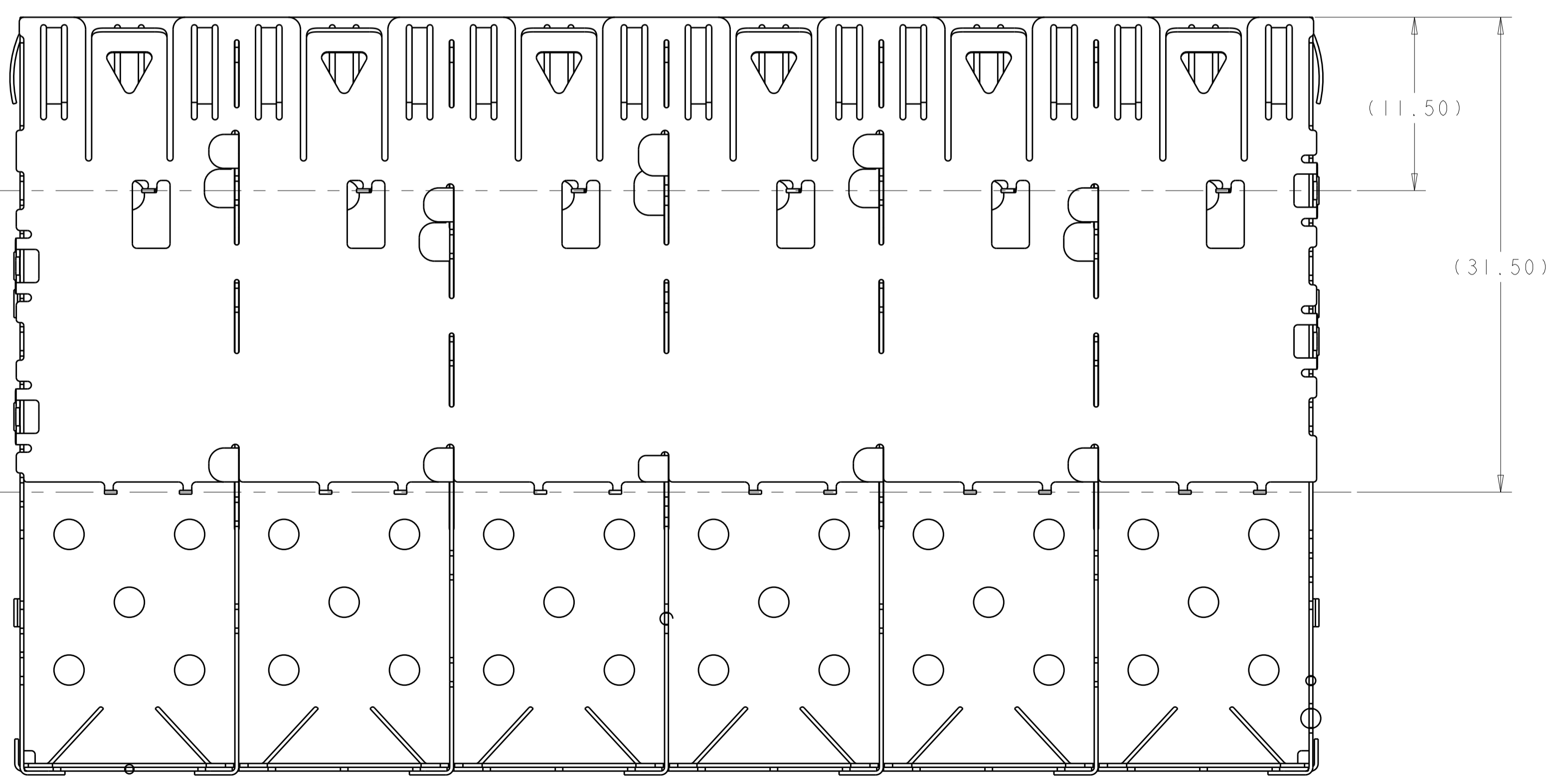
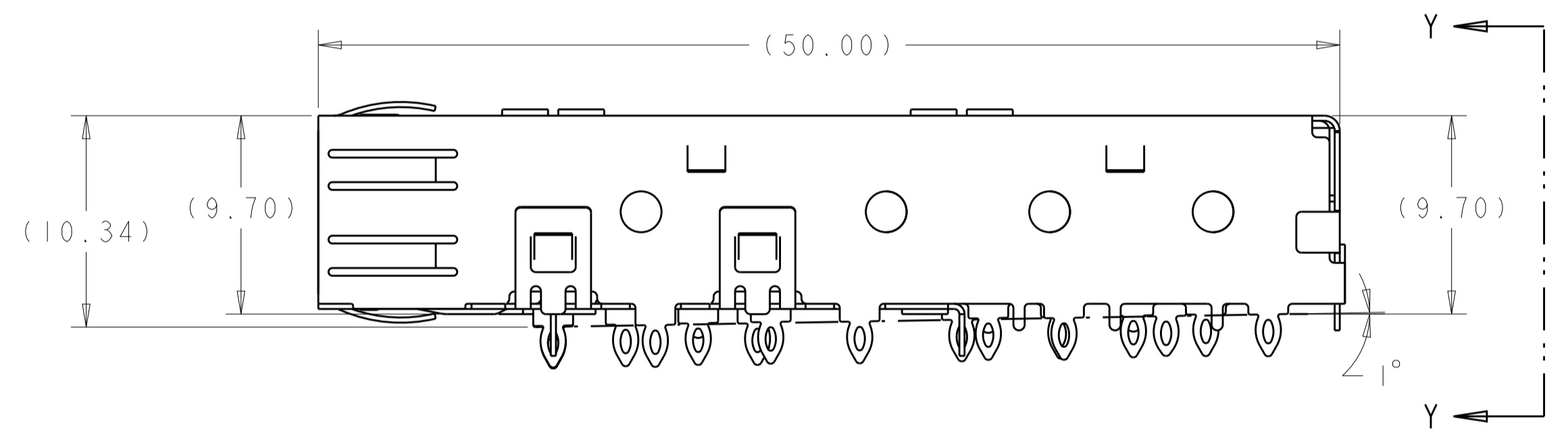
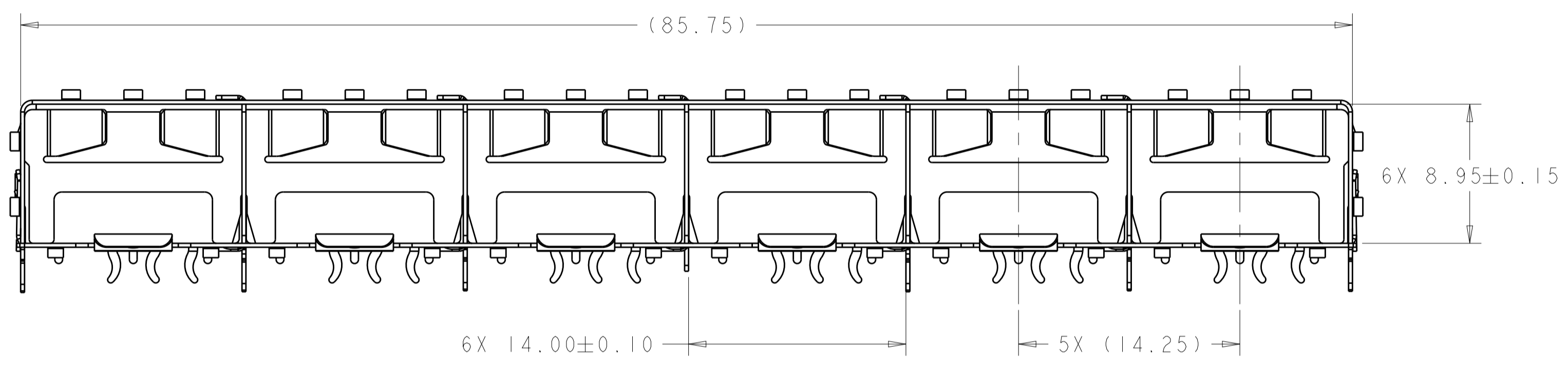
LOC	DIST	REV	DATE	BY	CHK	APPV
GP	00					

REVISIONS						
REV	DATE	BY	CHK	APPV	DESCRIPTION	
B	03AUG10	HMR	JP		ECO-10-015550	
C	20FEB2014	JW	SH		REVISED PER ECO-14-000886	
C1	11JUL2014	JW	SH		REVISED PER ECO-14-010419	
D	25SEP2015	JW	SH		REVISED PER ECO-15-013594	



SCALE 2:1

- △ MATERIAL: COPPER ALLOY
- △ TIN PLATING PER ASTM B 545, 1.25µm MINIMUM THICKNESS. ALL OVER NICKEL FLASH PER QQ-N-290. NON PLATED EDGES ARE PERMISSIBLE.
- △ DATUM AND BASIC DIMENSIONS ESTABLISHED BY CUSTOMERS.
- △ PADS AND VIAS CHASSIS GROUND.
- △ REFERENCE APPLICATION SPEC 114-13120, HOLE A, FOR RECOMMENDED DRILL HOLE DIAMETER AND PLATING THICKNESSES
- △ COMPANY LOGO IN APPROXIMATE AREA SHOWN
- △ DATE CODE AND PART NUMBER IN APPROXIMATE LOCATION SHOWN
- △ NICKEL SILVER ALLOY(NO PLATING)



2007498-1&2
SCALE 3:1

SUPERSEDED BY:
2007498-2

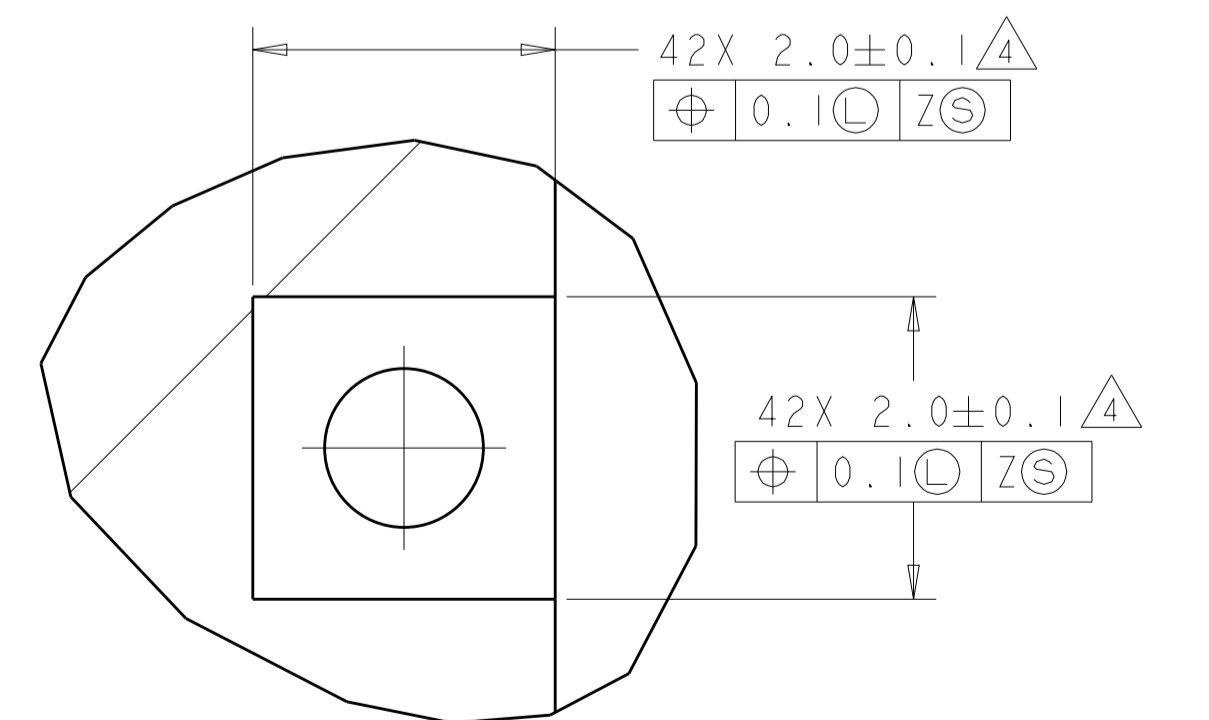
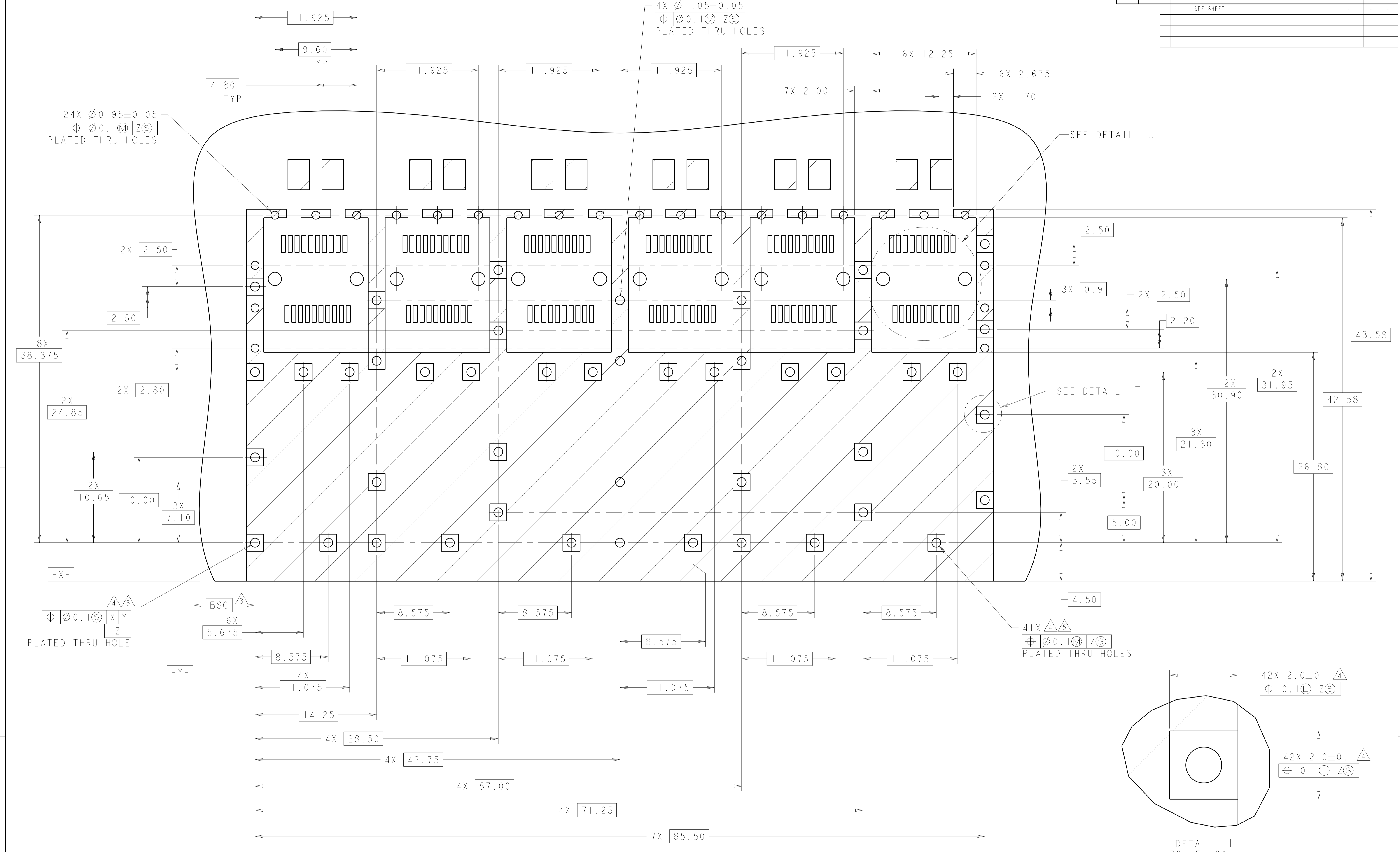
NO	MATERIAL	DESCRIPTION	PART NUMBER
NO	△ 8	1X6 CAGE ASSEMBLY	2007498-2
△	△	1X6 CAGE ASSEMBLY	2007498-1

THIS DRAWING IS A CONTROLLED DOCUMENT.		DWN B MCMASTER 03DEC07	
DIMENSIONS:		CHK J KOPPENHEFFER 03DEC07	
mm		APPV J KOPPENHEFFER 03DEC07	
TOLERANCES UNLESS OTHERWISE SPECIFIED:		PRODUCT SPEC	
0 PLC	±	APPLICATION SPEC	
1 PLC	±	SIZE CAGE CODE DRAWING NO	
2 PLC	±	RESTRICTED TO	
3 PLC	±	A100779C=2007498	
4 PLC	±	SCALE 4:1 SHEET 1 OF 3 REV D	
ANGLES	±	CUSTOMER DRAWING	
FINISH	±		



ASSEMBLY, CAGE, PRESS FIT, 1X6, PCI, SFP

LOC		DIST		REVISIONS				
GP	00	P	LTN	DESCRIPTION	DATE	OWN	APVD	
-	-	-	-	SEE SHEET 1	-	-	-	

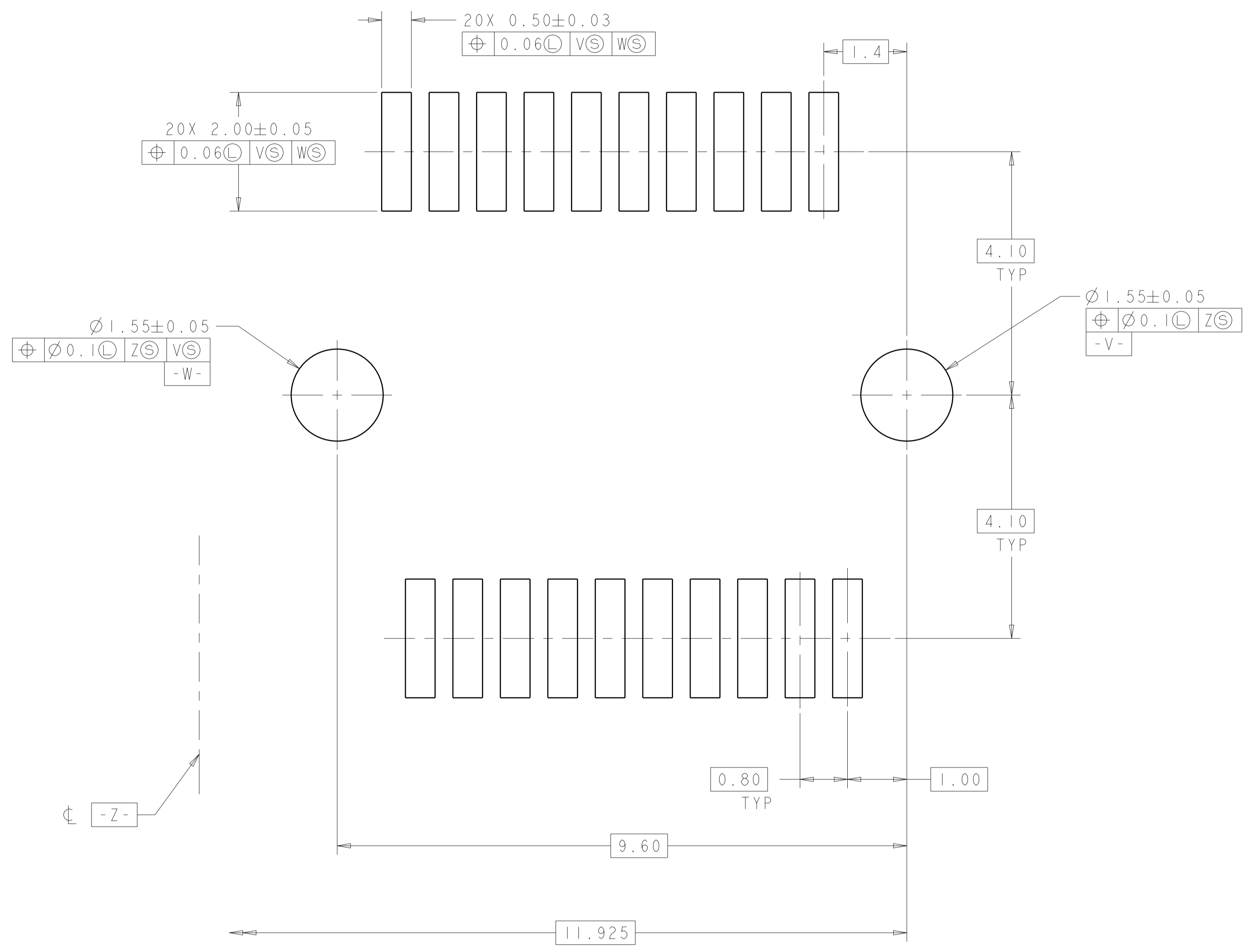


DETAIL T
SCALE 20:1

RECOMMENDED PCB CONFIGURATION
SCALE 5:1

THIS DRAWING IS A CONTROLLED DOCUMENT.		OWN: B. MCMASTER 03DEC07	STE TE Connectivity	
DIMENSIONS:		CHK: J. KOPPENHEFFER 03DEC07		
TOLERANCES UNLESS OTHERWISE SPECIFIED:		APVD: J. KOPPENHEFFER 03DEC07	NAME: ASSEMBLY, CAGE, PRESS FIT, 1X6, PCI, SFP	
mm		PRODUCT SPEC:		
0 PLC ±		APPLICATION SPEC:	SIZE: CAGE CODE DRAWING NO: A100779C=2007498	
1 PLC ±		RESTRICTED TO:		
2 PLC ±		WEIGHT:	SCALE: 4:1 SHEET 2 OF 3 REV D	
3 PLC ±		CUSTOMER DRAWING:		
4 PLC ±				
ANGLES ±				
FINISH:				

LOC	DIST	REVISIONS			
P	LTN	DESCRIPTION	DATE	DMN	APVD
GP	00	SEE SHEET 1	-	-	-



DETAIL U
SCALE 20:1

THIS DRAWING IS A CONTROLLED DOCUMENT.		DMN B. MCMASTER 03DEC07	 TE Connectivity
DIMENSIONS:		CHK J. KOPPENHEFFER 03DEC07	
TOLERANCES UNLESS OTHERWISE SPECIFIED:		APVD J. KOPPENHEFFER 03DEC07	
mm		NAME ASSEMBLY, CAGE, PRESS FIT, 1X6, PCI, SFP	
0 PLC ±	1 PLC ±	PRODUCT SPEC	SIZE CAGE CODE DRAWING NO RESTRICTED TO
2 PLC ±	3 PLC ±	APPLICATION SPEC	A100779C=2007498
4 PLC ±	ANGLES ±	WEIGHT	SCALE 4:1 SHEET 3 OF 3 REV D
MATERIAL	FINISH	CUSTOMER DRAWING	