


# Protective cap - QPD QSK BK 5X1,5 FS - 1414728

Please be informed that the data shown in this PDF Document is generated from our Online Catalog. Please find the complete data in the user's documentation. Our General Terms of Use for Downloads are valid (<http://phoenixcontact.com/download>)

Protective cap, plastic, for QUICKON connection, black, with retaining cord, IP68



## Key Commercial Data

Packing unit	1 STK
GTIN	 4 055626 033129
GTIN	4055626033129

## Technical data

### General

Type	QPD
Color	black
Locking type	Screw locking

### Ambient conditions

Degree of protection	IP66
	IP68 (2 m / 24 h)
	IP69K
Ambient temperature (operation)	-40 °C ... 100 °C
Ambient temperature (storage/transport)	-40 °C ... 100 °C

### Material data

Flammability rating according to UL 94	V0
--	----

### Standards and Regulations

Flammability rating according to UL 94	V0
--	----

### Environmental Product Compliance

China RoHS	Environmentally Friendly Use Period = 50
------------	--

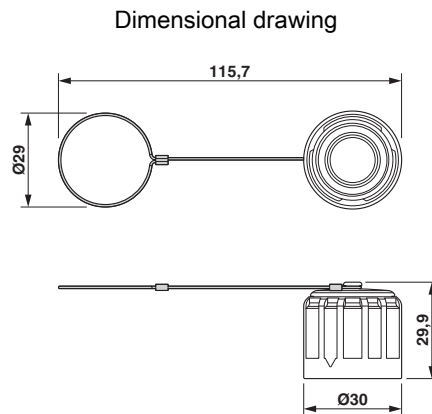
# Protective cap - QPD QSK BK 5X1,5 FS - 1414728

## Technical data

### Environmental Product Compliance

	For details about hazardous substances go to tab "Downloads", Category "Manufacturer's declaration"
--	---

## Drawings



## Approvals

### Approvals

---

### Approvals

GL / EAC

---

### Ex Approvals

---

### Approval details

GL		<a href="http://exchange.dnv.com/tari/">http://exchange.dnv.com/tari/</a>	6195914 HH
----	--	---	------------

EAC			RU C- DE.AI30.B.01102
-----	--	--	--------------------------

Phoenix Contact 2018 © - all rights reserved  
<http://www.phoenixcontact.com>

PHOENIX CONTACT GmbH & Co. KG  
Flachmarktstr. 8  
32825 Blomberg  
Germany  
Tel. +49 5235 300  
Fax +49 5235 3 41200  
<http://www.phoenixcontact.com>