

NOTES:

1 - MATERIAL:

- HOUSING : LCP 30% GLASS FILLED, UL94 V-0. COLOUR: BLACK
- TERMINAL: COPPER ALLOY. PLATED WITH:
 PLATING 6: POST PLATE 0.00005 MIN GOLD FLASH OVER
 0.00100 MIN. PALLADIUM-NICKEL IN CONTACT AREA,
 0.00190 PURE TIN IN TAIL AREA,
 BOTH OVER 0.00127 MIN. NICKEL OVERALL.

2 - RECOMMENDED PRINTED CIRCUIT BOARD THICKNESS: 1.57

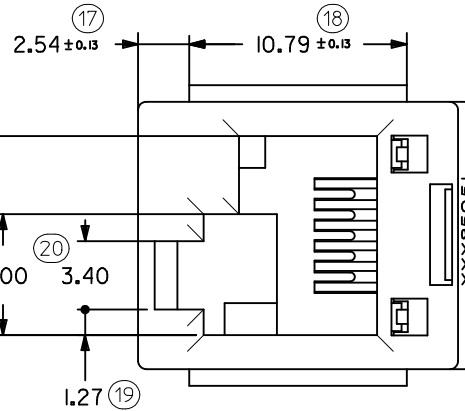
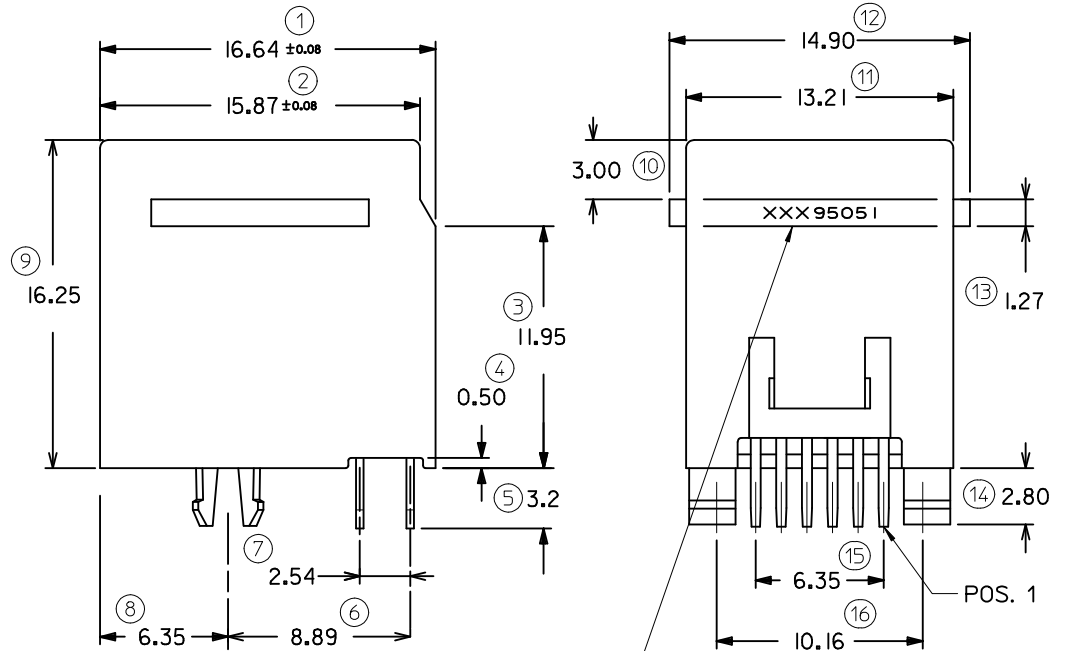
3 - FOR USE WITH UNCENTERED LATCH PLUG.

4 - PRODUCT SPECIFICATION: PS-95522-002

5 - LOGO MAY BE MXF, MG OR MXI

6 - PACKAGING SPECIFICATION: TRAY - PK-95051-001, SHT 1.
 TUBE - PK-95022, SHT 2.

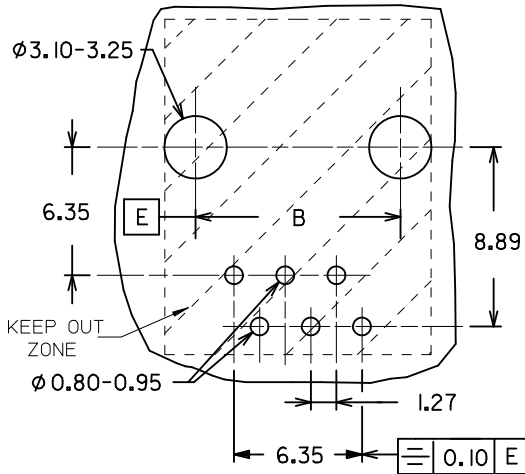
LAST INSPECTION NUMBER: 22



SEE NOTE 5

PART No.	PLATING	PACKAGING TYPE
95551-7667	6	TRAY
95551-7677	6	TUBE

MOUNTING HOLE PATTERNS
(VIEW FROM COMPONENT SIDE)



ALL DIMENSIONS REF DIMENSIONS

ADDED PLATING OPTION EC NO: E2012-0040 DRWN: JOCONNOR 2011/04/07 CHKD: APPR: EFOLAN 2011/10/13	QUALITY SYMBOLS ▽=0 ∇=0	GENERAL TOLERANCES (UNLESS SPECIFIED) mm INCH 4 PLACES ± --- ± --- 3 PLACES ± --- ± --- 2 PLACES ± 0.25 ± --- 1 PLACE ± 0.35 ± --- ANGULAR ± 1/2°	DIMENSION STYLE MM ONLY DRAWN BY: PD DATE: 89/06/12 CHECKED BY: CB DATE: 89/06/12 APPROVED BY: EFOLAN DATE: 2010/04/30	SCALE 4:1 DESIGN UNITS METRIC THIRD ANGLE PROJECTION	TITLE HIGH PROFILE TOP ENTRY JACK	
	DRAFT WHERE APPLICABLE MUST REMAIN WITHIN DIMENSIONS		MATERIAL NO. SEE CHART	MOLEX INCORPORATED	DOCUMENT NO. SD-95551-001	SHEET NO. 1 OF 1
	THIS DRAWING CONTAINS INFORMATION THAT IS PROPRIETARY TO MOLEX INCORPORATED AND SHOULD NOT BE USED WITHOUT WRITTEN PERMISSION					
	SIZE A3					