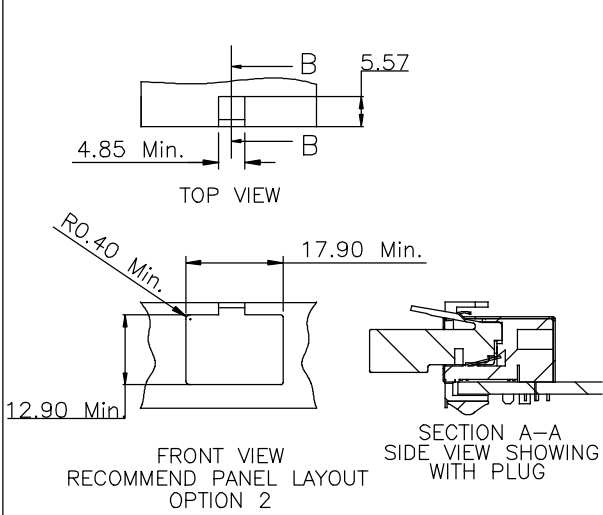
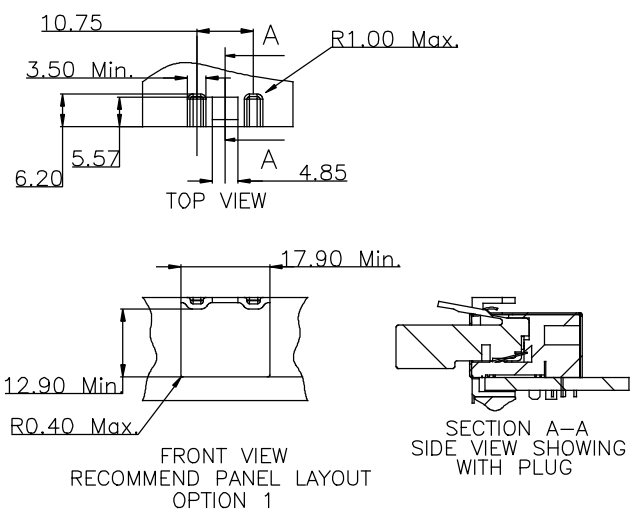


REVISIONS			
REV	ECN, ERN NO.	DATE	APPRD.
A	PROPOSAL DRAWING	FEB. 28,2015	L.CHAN

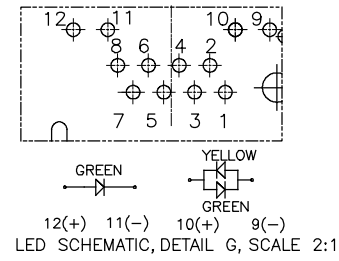
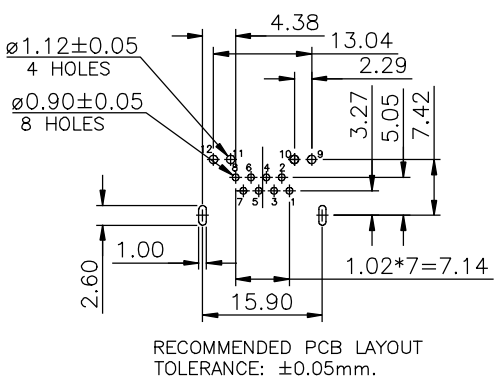
NOTES:  
ELECTRICAL:  
1. VOLTAGE RATING : 125 VAC.  
2. CURRENT RATING : 1.25 AMP.  
3. INSULATING RESISTANCE : 500 MEGOHMS MINIMUM.  
4. DIELECTRIC STRENGTH : 1000 VAC 60Hz, 1MIN.  
5. CATEGORY 6 CHARACTERISTIC:  
Frequency Near-End Crosstalk Return Loss Attenuation

MHz	dB, MIN.	dB, MIN.	dB, MAX.
1.0	75.0	30.0	0.1
4.0	75.0	30.0	0.1
8.0	75.0	30.0	0.1
10.0	74.0	30.0	0.1
16.0	69.9	30.0	0.1
20.0	68.0	30.0	0.1
25.0	66.0	30.0	0.1
31.25	64.1	30.0	0.11
62.5	58.1	28.1	0.16
100.0	54.0	24.0	0.20
200.0	48.0	18.0	0.28
250.0	46.0	16.0	0.32



MECHANICAL:  
1. SHIELD : STAINLESS STEEL, WITH TIN-DIP ON SOLDER TABS.  
2. HOUSING : HIGH TEMP THERMOPLASTIC, UL 94V-0.  
3. INSERT : HIGH TEMP THERMOPLASTIC UL 94V-0.  
4. PCB : FR-4.  
5. CONTACT : PHOSPHOR BRONZE.  
30u" SELECTIVE GOLD PLATING FOR MATING SURFACE,  
50u" NICKEL UNDERPLATE  
100u" MATTE TIN PLATING ON CONTACT SOLDER TAIL.

ENVIRONMENTAL:  
1. STORAGE : -40° TO +85°.  
2. OPERATION : -40° TO +85°.  
MATES WITH MODULAR PLUG CONFORMING TO FCC PART 68, SUBPART F.  
RECOMMENDED SOLDER PROCESS: WAVE SOLDER, PEAK TEMPERATURE 260° FOR 10 SECOND.



AMPHENOL PART NUMBER: RJE49-188-1XX1  
GOLD PLATING OPTION \_\_\_\_\_ REFER TO LED OPTIONS DRAWING P-RJE49-LEDS FOR ORDERING CODES  
1=6u" [0.15 MICRONS] GOLD PLATING  
2=15u" [0.38 MICRONS] GOLD PLATING  
3=30u" [0.76 MICRONS] GOLD PLATING  
4=50u" [1.27 MICRONS] GOLD PLATING

LED SPECIFICATIONS:  
FORWARD VOLTAGE: 2.2 VOLTS TYP  
REVERSE VOLTAGE: 5.0 VOLTS  
LUMINOUS INTENSITY: 4 mcd MIN. (AT IF =20mA)

UNLESS OTHERWISE SPECIFIED DIMENSION ARE IN mm FRACTION DECIMALS ANGLES		DATE FEB28/2015	Amphenol Canada Corp.	
.X ±0.50	.X' ±3.0°	DESIGNED JUSTIN.FENG	TITLE MODULAR JACK, SINGLE PORTS, 8 POSITIONS, 8 CONTACTS, SHIELDED WITH TOP & SIDE TABS, WITH LED, TAB UP, CAT6-RoHS COMPLIANT	
.XX ±0.30	.X' ±2.0°	CHECKED L.CHAN		
.XXX ±0.10	.XX' ±1.0°	I. E. APPRD.	DWG	DRAWING NO.
3rd ANGLE PROJECTION		Q. A. APPRD.	C	P-RJE49-188-1XX1
		DWG. APPRD.	SCALE	4/1
		ENG. REL. NO.	WT.	-----
		REF.	SURF.	-----
DIMENSIONS ARE IN mm		CODE ID. NO.	SHEET 1 OF 1	
		03554		

THIS DOCUMENT CONTAINS PROPRIETARY INFORMATION AND SUCH INFORMATION MAY NOT BE DISCLOSED TO OTHERS FOR ANY PURPOSE OR USED FOR MANUFACTURING PURPOSES WITHOUT WRITTEN PERMISSION FROM AMPHENOL CANADA CORP.