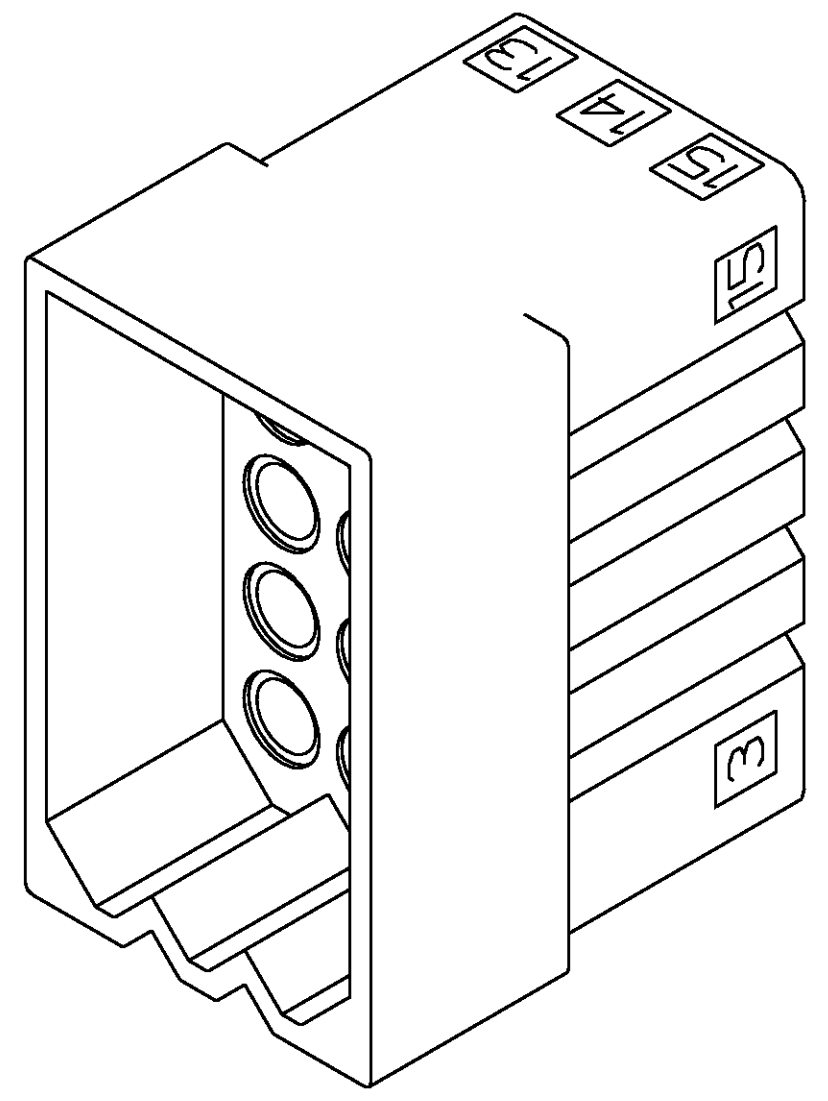
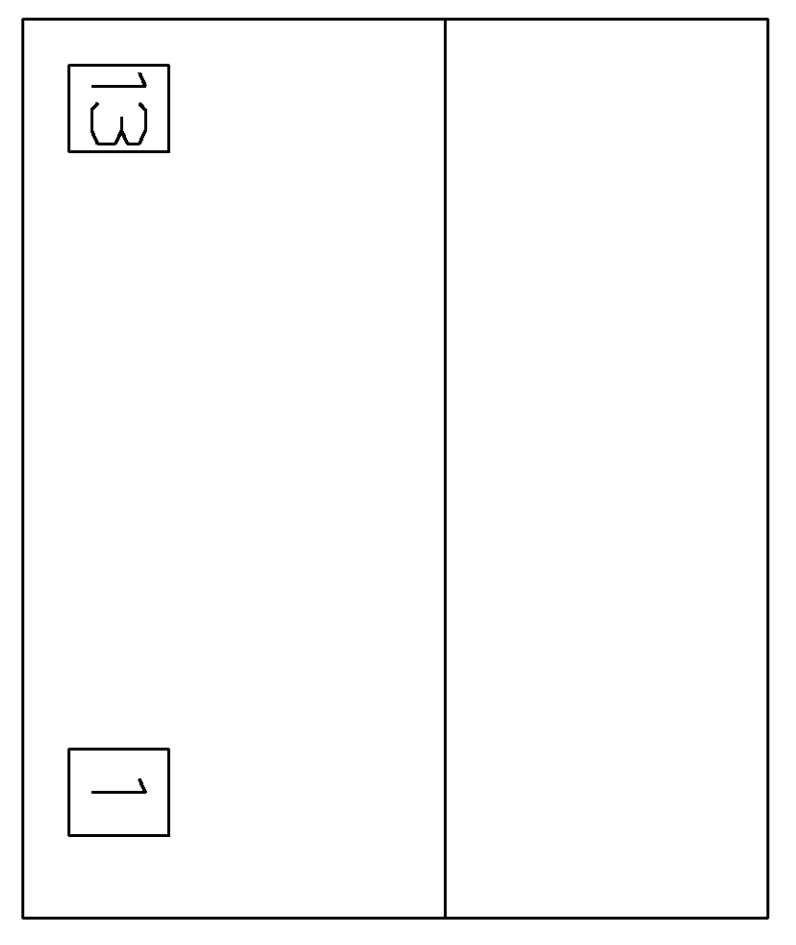
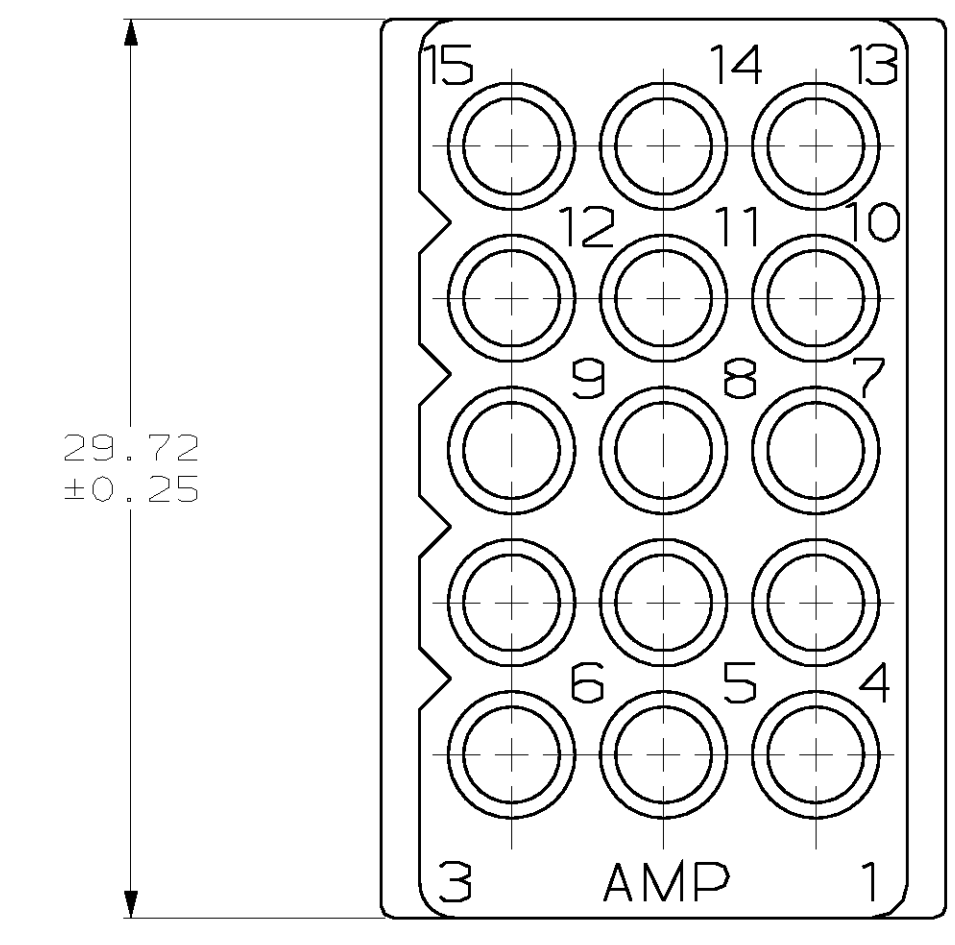
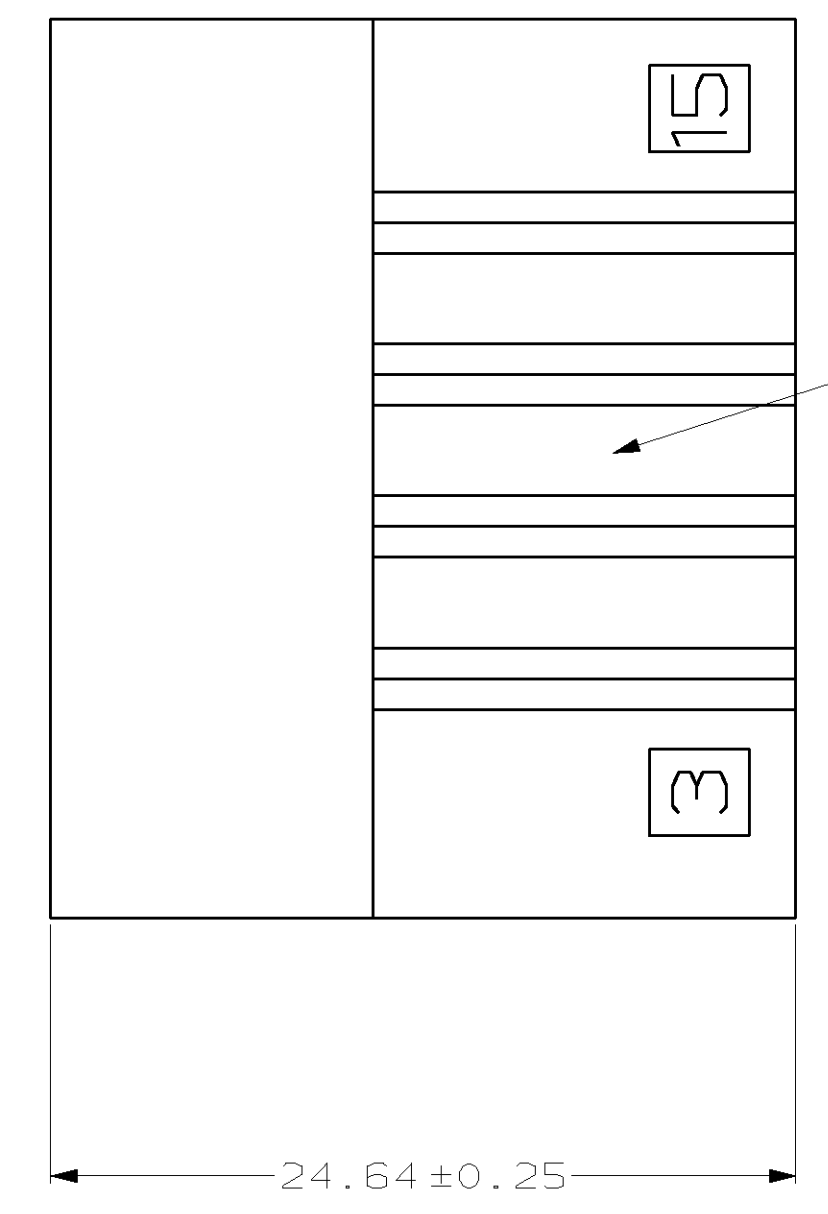
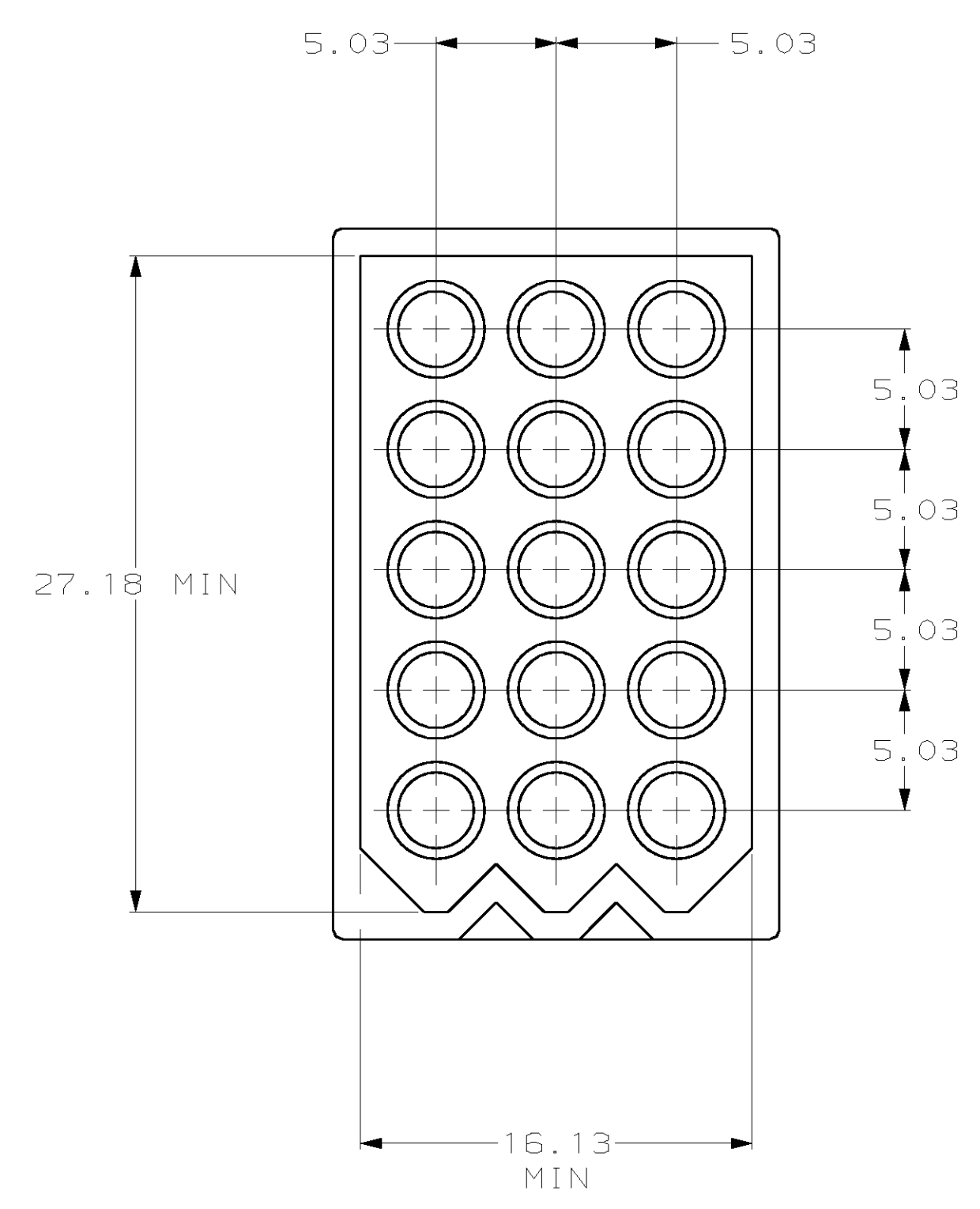
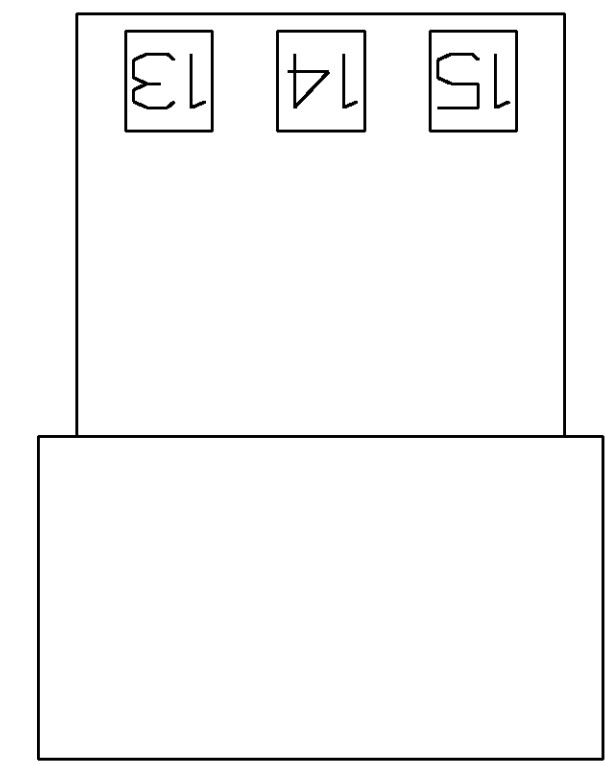
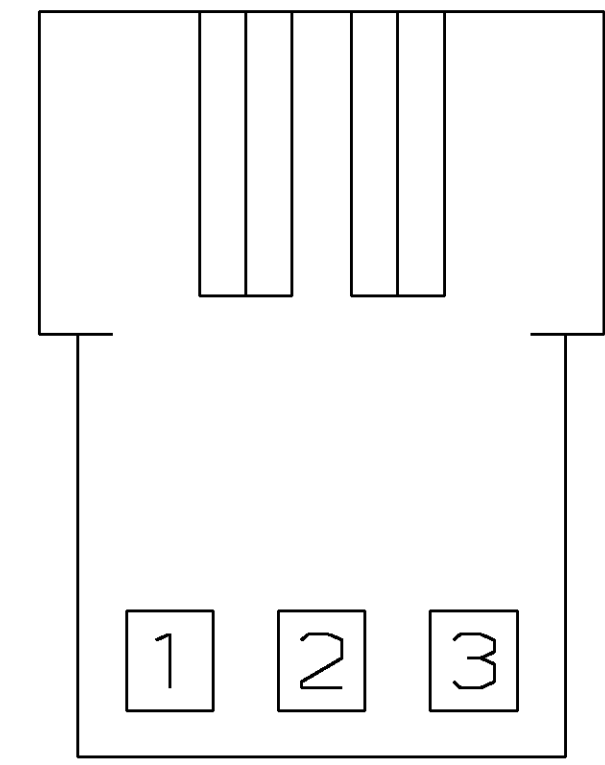


| LOC | DIST | REVISIONS |                                 |           |     |        |
|-----|------|-----------|---------------------------------|-----------|-----|--------|
|     |      | REV       | DESCRIPTION                     | DATE      | OWN | APPROV |
| CM  | 53   | E         | REV & REDWN PER EC 0G1B-00B7-99 | 04-JUN-99 | KW  | J5     |

△ MARKING FOR UL LOGO AND CSA LOGO LOCATED APPROXIMATELY AS SHOWN.



3-DIMENSIONAL MODEL  
NTS



| MM    | IN    |
|-------|-------|
| 29.72 | 1.170 |
| 27.18 | 1.070 |
| 24.64 | .970  |
| 16.13 | .635  |
| 5.03  | .198  |
| 2.36  | .093  |
| 0.25  | .010  |
| 0.13  | .005  |
| MM    | IN    |

CONVERSION TABLE



770107-1  
PART NUMBER

|  |          |                                      |   |
|--|----------|--------------------------------------|---|
| THIS DRAWING IS A CONTROLLED DOCUMENT. |          | DWN<br>K. WHITAKER<br>04-JUN-1999    | AMP Incorporated<br>Harrisburg, PA 17105-3608               |
| DIMENSIONS: mm                         |          | CHK:<br>J. SCHLUNZ<br>04-JUN-1999    |   |
| TOLERANCES UNLESS OTHERWISE SPECIFIED: |          | APPROV:<br>J. SCHLUNZ<br>04-JUN-1999 | NAME<br>PLUG, 15 CIRCUIT,<br>.093 COMMERCIAL PIN AND SOCKET |
| 0 PLC ±                                | 1 PLC ±  | PRODUCT SPEC                         | RESTRICTED TO   |
| 2 PLC ±0.13                            | 3 PLC ±  | APPLICATION SPEC                     | SIZE CAGE CODE DRAWING NO                                   |
| 4 PLC ±                                | ANGLES ± | WEIGHT                               | A100779-770107  |
| MATERIAL NYLON, JL 94V-2, NATURAL      | FINISH - | CUSTOMER DRAWING                     | SCALE 4:1 SHEET 1 OF 1 REV E                                |