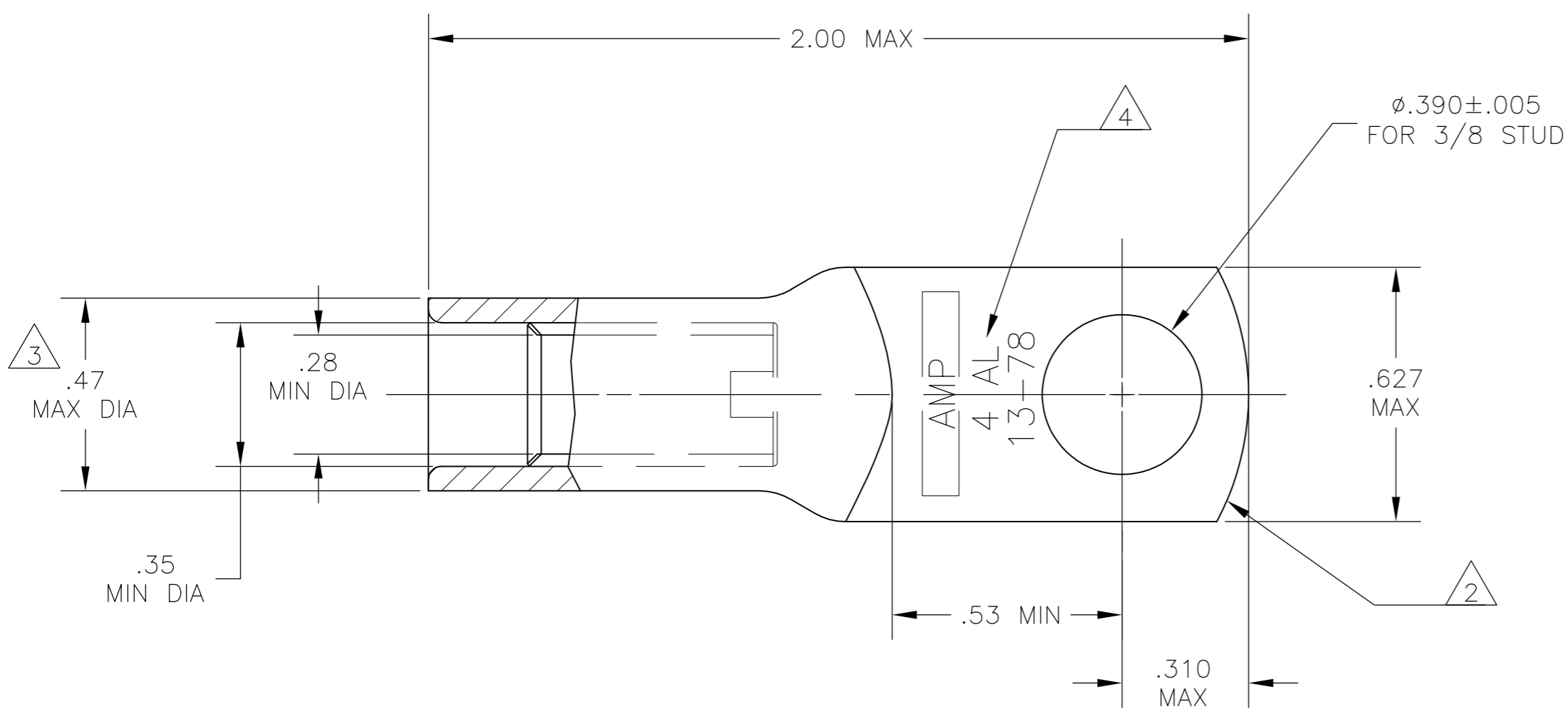
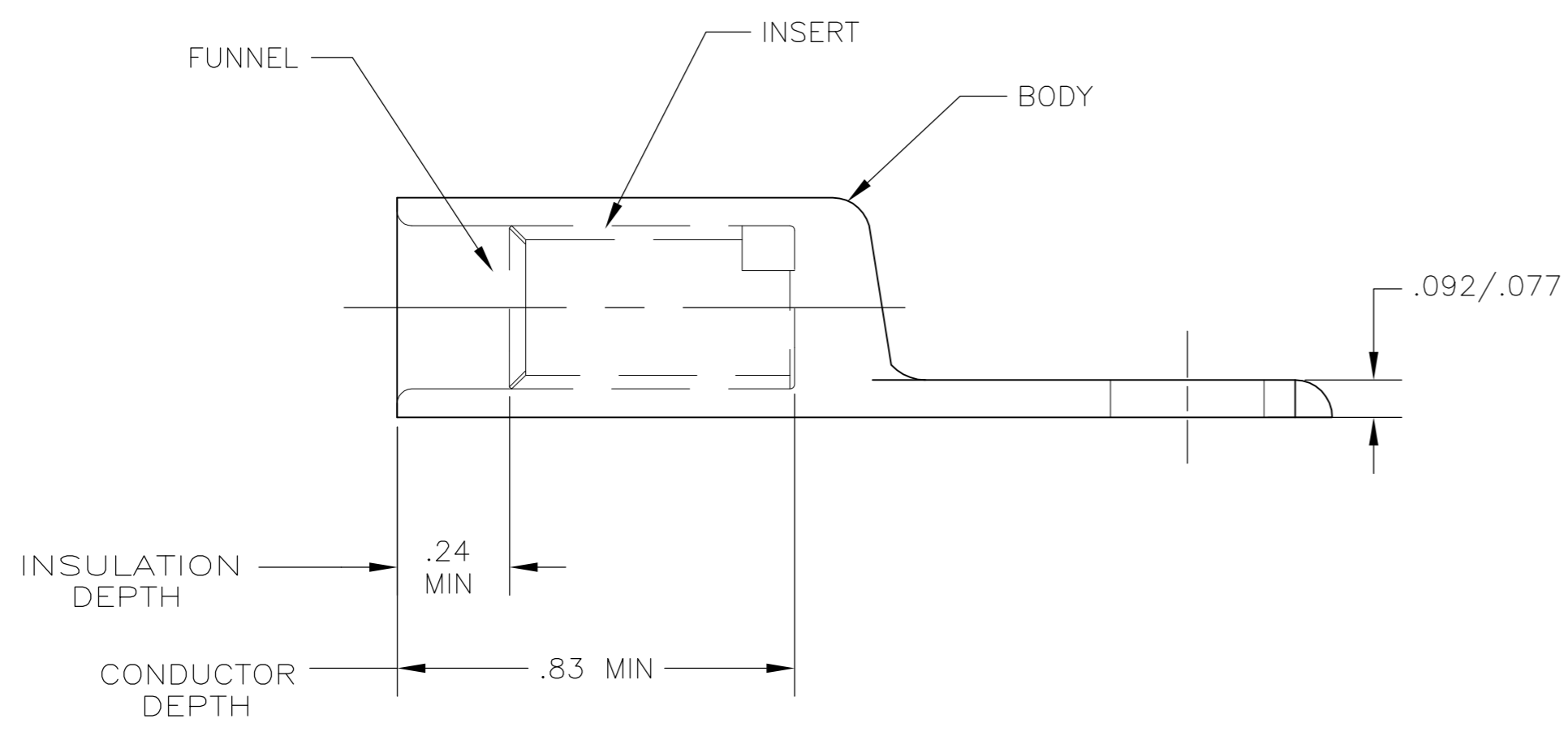


THIS DRAWING IS UNPUBLISHED. RELEASED FOR PUBLICATION
 © COPYRIGHT - By - ALL RIGHTS RESERVED.

LOC	DIST	REVISIONS					
		P	LTR	DESCRIPTION	DATE	DWN	APVD
G	86		F	REVISED PER ECO-12-008377	20JUN12	PY	BW



- 1 WIRE INSULATION: .324-356 DIA
- 2 THE TONGUE RADIUS FEATURE IS NOT A TOOLING CONTROLLED DIMENSION AND MAY NOT BE A TRUE RADIUS.
- 3 FLASH PERMITTED ±.020
- 4 STAMP "AMP 4 AL 13-78" SIZE AND LOCATION APPROX AS SHOWN



BODY: COPPER ASTM-B187 ANNEALED TIN PL PER ASTM B-545 .000150 MIN THK	696872-1
INSERT & FUNNEL: BRASS ASTM B36 NICKEL PL SAE AMS QQ-N-290A, DATED JULY 2000, .000100 MIN THK	
MATERIAL & FINISH	PART NO.

THIS DRAWING IS A CONTROLLED DOCUMENT.		DWN	JR RUTH	21OCT05	 TE Connectivity
DIMENSIONS: INCHES		CHK	MJ SPICER	21OCT05	
TOLERANCES UNLESS OTHERWISE SPECIFIED:		APVD	MJ SPICER	21OCT05	
0 PLC ± - 1 PLC ± - 2 PLC ± .01 3 PLC ± .008 4 PLC ± - ANGLES ± -		PRODUCT SPEC	NAME		
MATERIAL: SEE TABLE		FINISH	SEE TABLE		WIRE TERMINAL, RING TONGUE, SEALED COPALUM, WIRE SIZE: 4 ALUMINUM
WEIGHT: 18.5 GRAMS		SCALE	2:1	SHEET	1 of 1
CUSTOMER DRAWING		SIZE	A2	CAGE CODE	00779
		DRAWING NO	C=696872		RESTRICTED TO
		REV	F		

696872