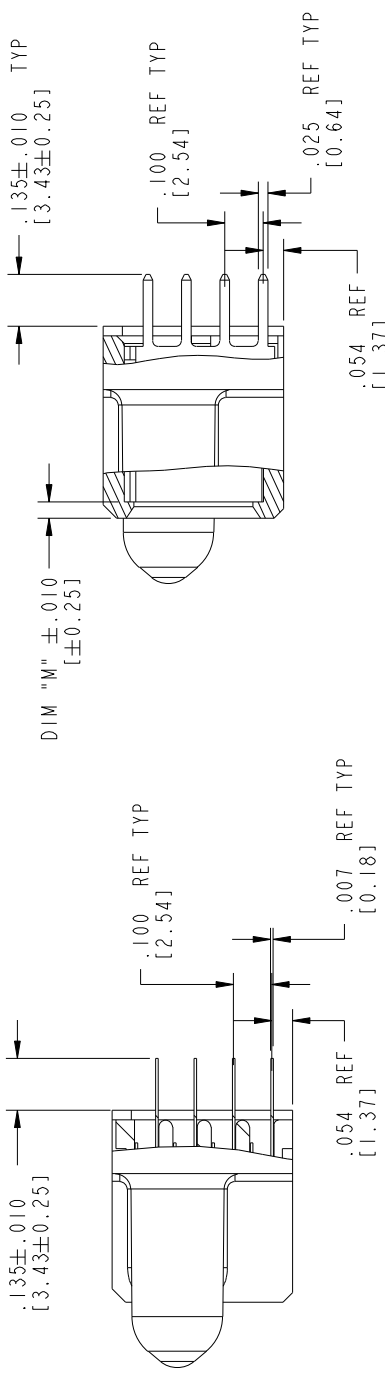
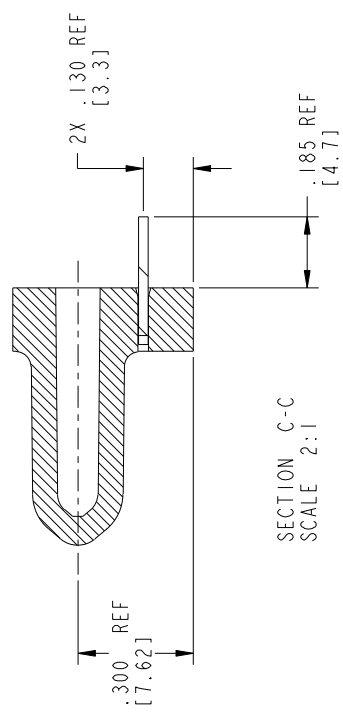


PRODUCT NUMBER
51750-067--
NOTE 3



SECTION A-A
SCALE 2:1

SECTION B-B
SCALE 2:1



SECTION C-C
SCALE 2:1

mat'l code		SEE NOTE 2		Tolerances unless otherwise specified		CUSTOMER		A FCI		www.fciconnect.com	
lir	ecn no.	dr	date	linear	.XX±.01/0.X±0.3	COPY		title		2P + 16S + 2P	
A				angles	.XX±.005/0.XX±0.13	projection		VERTICAL SOLDER RECEPT		product family	
				dr	.XX±.0020/0.XX±0.051	INCH/MM		product size		213	
				engr	0°±2°	scale		sheet		2 of 4	
				chr	LH 06/24/05	1:1		code			
				appd	LH 06/24/05			PwrBl code			
sheet index	revision	sheet			VICTOR LIM 06/24/05			A		51750-067	
					JOSEPH HSI A 06/24/05						
			Pro/E			3			code code 22526		

Tous droits strictement reserves. Reproduction ou communication a des tiers interdite sans quelque forme que ce soit sans autorisation ecrite du proprietaire. Propriete de c FCI. Droits de reproduction FCI.



All rights strictly reserved. Reproduction or issue to third parties in any form whatever is not permitted without written authority from the proprietor. Property of FCI. Copyright FCI.

