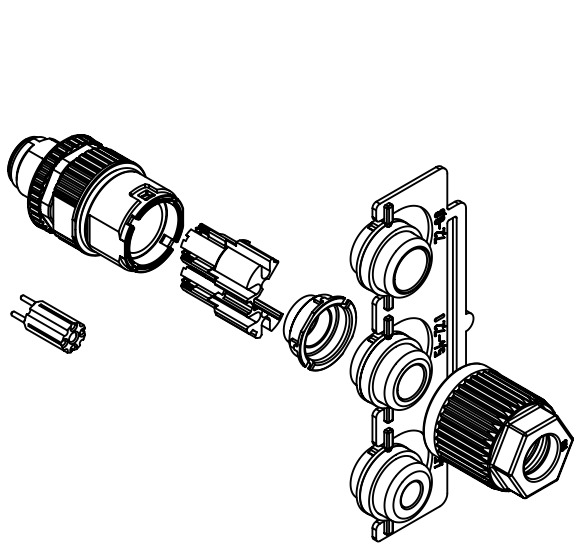


Crimpkontakte separat bestellen
order contacts separately

Kabel \varnothing cable \varnothing	Leiterquerschnitt wire gauge	Bestell-Nr. part-no.
4,5-8,8mm	AWG 24-20	09 67 000 8576
	AWG 26-22	09 67 000 5576
	AWG 22-18	09 67 000 3576



	All Dimensions in mm Original Size DIN A4	Scale 1:1	Free size tol.		Ref. Sub.
	All rights reserved Department EC PD - DE	Created by BUSSMANT	Inspected by HARLASS	Standardisation HOFFMANN	Date 2012-08-20
HARTING Electronics GmbH D-32339 Espelkamp		Title M12-L male 5-pole B-coded crimp			State Final Release
Type TB	Number 21038411505	Doc-Key / ECM-Nr. 100230989/UGD/002/C 500000054466			Rev. C Page 1/1