

PRODUCT NUMBER  
20020325-XXXXXXLF

20020325-□ □ □ □ □ 0 □ L F

PITCH

G: 5.00 mm  
H: 5.08 mm

POLES

04: 2x2 POLES  
06: 2x3 POLES  
(OTHER POSITIONS  
ON REQUEST ONLY)

LF : DENOTED RoHS COMPATIBLE

1 : STANDARD PRODUCT  
W/ BOX PACKING

SCREW CODE

CODE	SCREW TYPE	AVAILABILITY
A	-/+	ON REQUEST ONLY
B	-	STANDARD

PROPERTY TABLE			
FCI SERIES NAME		24-500	24-508
PITCH (mm)		5.00	5.08
VOLTAGE RATING (VAC)		300	300
CURRENT RATING (A)		20	20
APPLICABLE WIRE RANGE (AWG)	1-WIRE	12~22	12~22
	2-WIRE	18	18
WIRE CROSS SECTION (mm <sup>2</sup> )	SOLID	1-WIRE	2.5
		2-WIRE	1.0
	STRANDED	1-WIRE	1.5
		2-WIRE	0.75
OPENING CONTACT HOUSING(mm <sup>2</sup> )		2.5x2.5	2.5x2.5
WIRE STRIP LENGTH(mm)		6~7	6~7
TORQUE +/-10% (N-m/Lb-in)		0.4/3.5	0.4/3.5
SCREW		M2.5x0.4	M2.5x0.4
WITHSTANDING VOLTAGE (kV)		1.6	1.6
OPERATING TEMP. (°C)		-40~+115	-40~+115
SOLDERING TEMP. (°C)		250±10 (5 sec.)	250±10 (5 sec.)
POLES AVAILABLE		04~06	04~06
SAFETY CERTIFICATE			

HOUSING CODE

CODE	COLOR	AVAILABILITY
1	GREEN(RAL 6018/T)	STANDARD
2	BLACK	ON REQUEST ONLY
3	GREY(RAL 7004/P)	ON REQUEST ONLY
4	BLUE(RAL 5015/A)	ON REQUEST ONLY

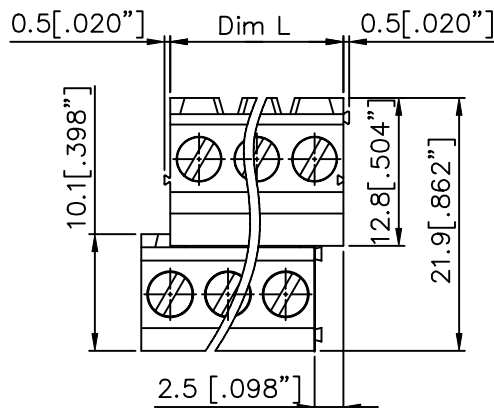
NOTES:

- MATERIALS  
1-1 HOUSING: THERMALPLASTIC RESIN, UL 94V-0 RATED,  
1-2 SCREW: STEEL, ZINC PLATED.  
1-3 CLAMP: COPPER ALLOY, NICKEL PLATED.  
1-4 TERMINAL: COPPER ALLOY, TIN PLATED.
- PRODUCT SPECIFICATION REFER TO FCI GS-12-625.
- PRODUCT PACKING SPECIFICATION REFER TO FCI GS-14-1394.
- FCI, SAFETY CERTIFICATE LOGO AND SERIES NAME TO BE SHOWN ON PRODUCT SURFACE.
- THE PRODUCTS WHERE THE PART NUMBER END IN "LF" MEET THE EUROPEAN UNION DIRECTIVE AND OTHER COUNTRY REGULATIONS AS DESCRIBED IN GS-22-008.
- RECOMENDED SOLDERING PROCESS BY WAVE SOLDER.

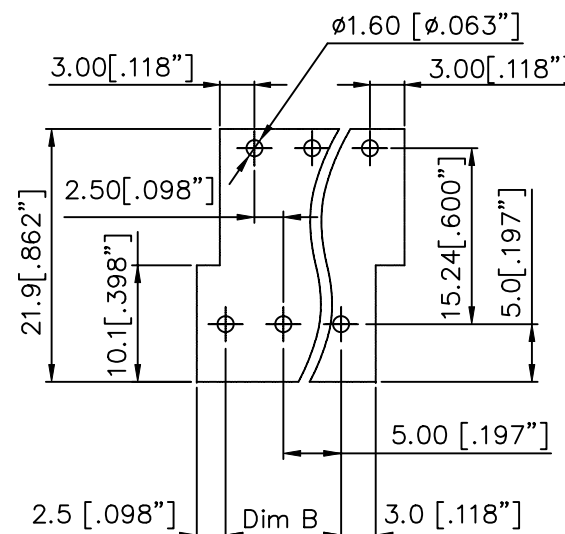
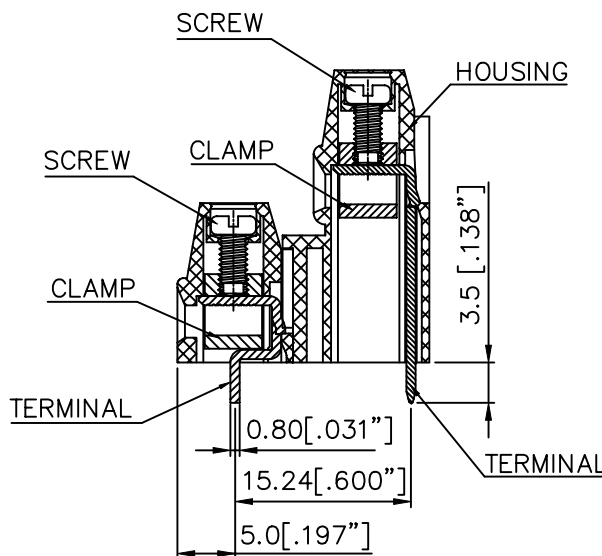
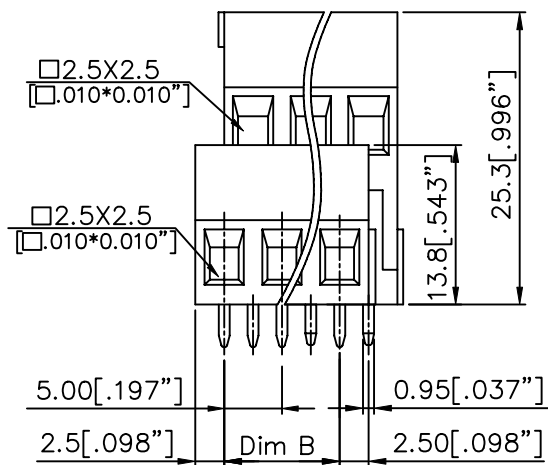
mat'l. code				surface ASME Y14.5 ✓ / tolerance ASME Y14.5		projection		product family	
tolerances unless otherwise specified				X.±0.5		MM		TERMINAL BLOCK	
angles				X.X±0.3		[INCH]		title	
X*±1*				X.XX±0.1		scale		TERMINAL BLOCK	
dr WENDY CHEN 081710				enr JASON HSU 081710		chr GARY HSIEH 081710		appd JOSEPH HSIA 081710	
sheet index				revision sheet		C C C		1 2 3	
FCI logo				dwg no		sheet 1 of 3 size		20020325 A4	
type				CUSTOMER Drawing					



PRODUCT NUMBER	SERIES NAME	PITCH
20020325-GXXXXXLf	24-500	5.00 mm



POLE	04	06
Dim L	10.0 [.394"]	15.0 [.590"]
Dim B	5.0 [.196"]	10.0 [.394"]
Tol.	±0.15 [.006"]	

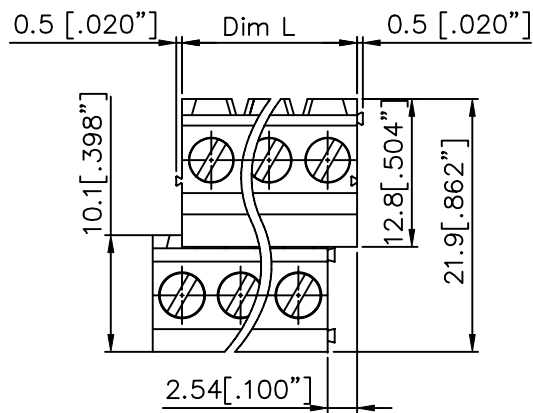


P.C.B LAYOUT

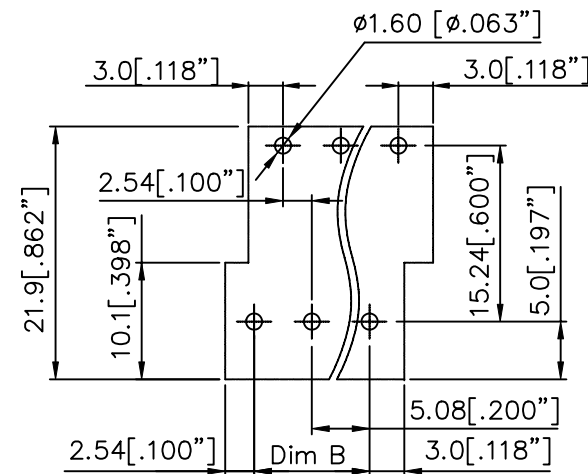
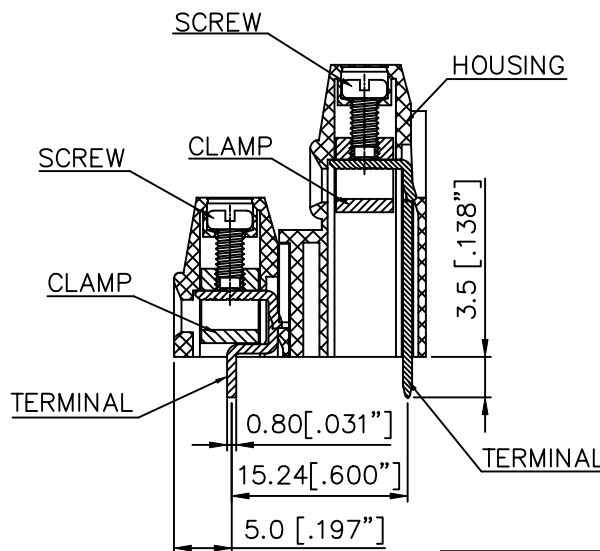
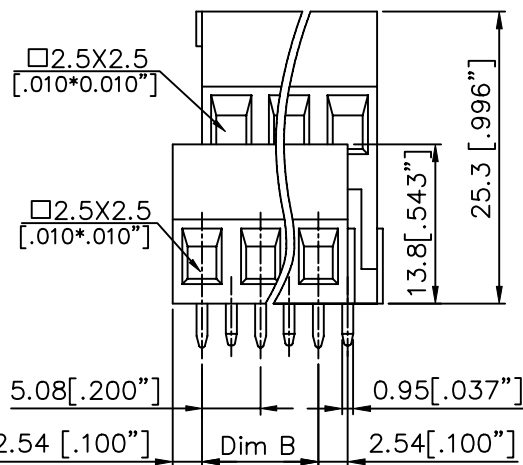
mat'l. code		surface ASME Y14.5 ✓	tolerance ASME Y14.5	projection MM [INCH]	product family TERMINAL BLOCK
ltr	ecn no	dr	date	title TERMINAL BLOCK FIXED SIGNAL PLUG, OFFSET LEFT, 2-LEVEL	
c		angles	X.±0.5 X.X±0.3 X.XX±0.1	scale	dwg no 20020325
		dr	WENDY CHEN 081710		sheet 2 of 3 size A4
		enr	JASON HSU 081710		type CUSTOMER Drawing
		chr	GARY HSIEH 081710		
		appd	JOSEPH HSIA 081710		
sheet index	revision sheet				



PRODUCT NUMBER	SERIES NAME	PITCH
20020325-HXXXXXL	24-508	5.08 mm



POLE	04	06
Dim L	10.16 [.400"]	15.24 [.600"]
Dim B	5.08 [.200"]	10.16 [.400"]
Tol.	±0.15 [.006"]	



P.C.B LAYOUT

mat'l. code	surface ASME Y14.5	tolerance ASME Y14.5	projection	product family TERMINAL BLOCK
ltr	ecn no	dr	date	title
tolerances unless otherwise specified				TERMINAL BLOCK FIXED SIGNAL PLUG, OFFSET LEFT, 2-LEVEL
c	angles	int	scale	
	X±0.5		MM	dwg no 20020325
	X.X±0.3		[INCH]	
	X°±1°	X.XX±0.1	scale	sheet 3 of 3 size A4
	dr	WENDY CHEN	081710	type CUSTOMER Drawing
	enr	JASON HSU	081710	
	chr	GARY HSIEH	081710	
	appd	JOSEPH HSIA	081710	
sheet index	revision sheet			

