

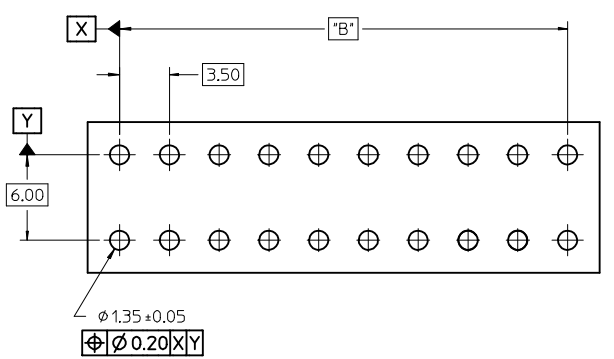
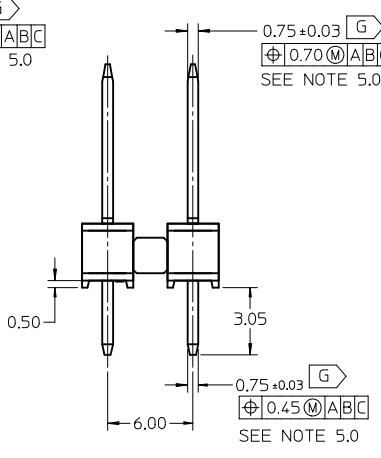
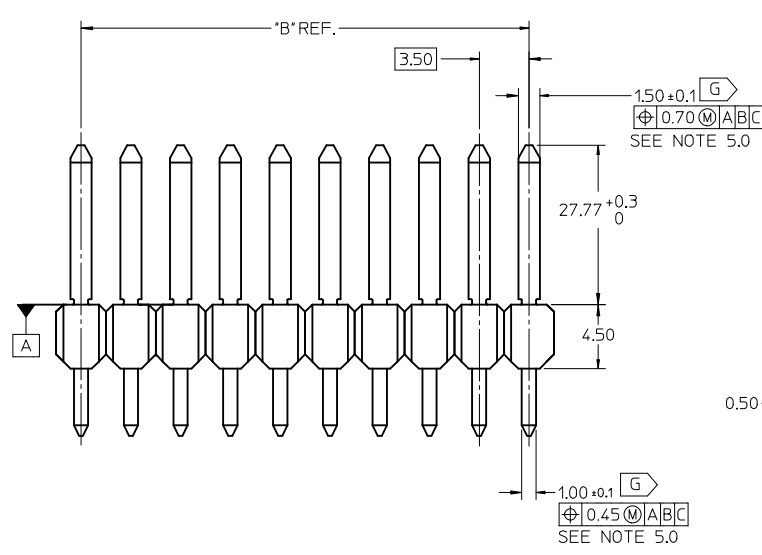
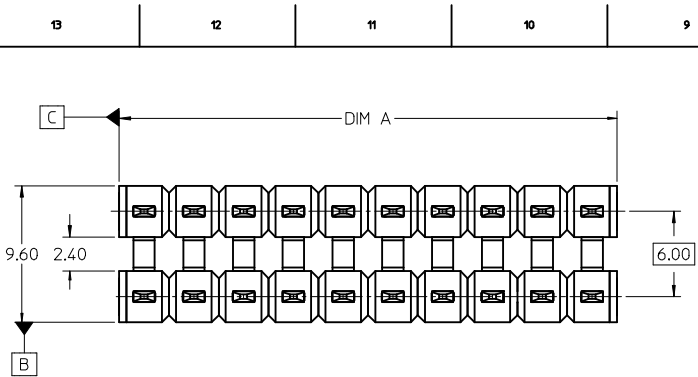
RECOMMENDED PCB LAYOUT

- NOTES:
1. TERMINAL MAT'L: ALLOY C26000, CARTRIDGE BRASS
  2. WAFER MAT'L: 30% GLASS FILLED LCP, 94V-0, COLOR BLACK.
  3. TERMINAL PLATING:
    - OPTION 4 - 1.54µm MIN MATTE TIN OVERALL OVER 1.25µm NICKEL OVERALL
    - OPTION 1 - 2.54µm MIN MATTE TIN OVERALL OVER 1.25µm NICKEL OVERALL
    - OPTION 2 - 1.25µm NICKEL OVERALL 2.54µm MIN SELECT MATTE TIN PC TAIL AREA 0.05-0.25µm SELECT GOLD CONTACT AREA
    - OPTION 3 - 1.25µm NICKEL OVERALL 2.54µm MIN SELECT MATTE TIN PC TAIL AREA 0.75µm SELECT GOLD CONTACT AREA
  4. HEADER ASSEMBLIES ARE TUBE PACKAGED PER PK-36518-340.
  5. ALL THE POSITIONAL TOLERANCES SHOULD BE MEASURED AT TIP OF THE TERMINALS.
  6. DATUMS SHOULD BE CONSIDERED FROM THE EDGES OF THE HOUSING.
  7. POSITION TOLERANCE OF PIN AT MATING SIDE SHOULD BE MAINTAINED AT 0.3MM IN THE FINAL MODULE BY CUSTOMER.
  8. [G] DENOTES DIMENSIONS THAT CAN BE QUALIFIED WITH A GAUGE
  9. **BLADE GEOMETRY DOES NOT CONFORM TO USCAR SPECIFICATIONS.**

Position Tol. del. added EC NO: 12017-0047 DRWNR:GV 2016/11/11 CHKD: APPR:VUTTARKAR 2017/01/24 G	QUALITY SYMBOLS	GENERAL TOLERANCES (UNLESS SPECIFIED)		DIMENSION STYLE MM ONLY		SCALE 4:1	DESIGN UNITS METRIC	THIRD ANGLE PROJECTION	
	▽=0	mm	INCH	DRAWN BY TMCLELL	DATE 1/18/05	TITLE MX150 DUAL ROW UNSHROUDED VERTICAL HEADER ASSEMBLY			
	▽=0	4 PLACES ± ---	± ---	CHECKED BY TMCLELL	DATE 1/18/05				
	▽=0	3 PLACES ± ---	± ---	APPROVED BY BANAK I S	DATE 1/18/05				
		2 PLACES ± 0.13	± ---	MATERIAL NO.		DOCUMENT NO.	SHEET NO.		
		1 PLACE ± 0.25	± ---	SEE CHART		SD-75757-002	1 OF 2		
		0 PLACE ±	±	DRAFT WHERE APPLICABLE MUST REMAIN WITHIN DIMENSIONS THIS DRAWING CONTAINS INFORMATION THAT IS PROPRIETARY TO MOLEX INCORPORATED AND SHOULD NOT BE USED WITHOUT WRITTEN PERMISSION					

2 x 2	1	75757-5121	3.05	16.09	75757-1121	3.05	11.20	75757-1122	4.75	11.20	7.0	3.50 REF
	2	75757-5221			75757-1221			75757-1222				
	3	75757-5321			75757-1321			75757-1322				
	4	75757-5421			75757-1421			75757-1422				
2 x 3	1	75757-5131			75757-1131			75757-1132			10.5	7.00
	2	75757-5231			75757-1231			75757-1232				
	3	75757-5331			75757-1331			75757-1332				
	4	75757-5431			75757-1431			75757-1432				
2 x 4	1	75757-5141			75757-1141			75757-1142			14.0	10.50
	2	75757-5241			75757-1241			75757-1242				
	3	75757-5341			75757-1341			75757-1342				
	4	75757-5441			75757-1441			75757-1442				
2 x 6	1	75757-5161			75757-1161			75757-1162			21.0	17.50
	2	75757-5261			75757-1261			75757-1262				
	3	75757-5361			75757-1361			75757-1362				
	4	75757-5461			75757-1461			75757-1462				
2 x 8	1	75757-5181	75757-1181	75757-1182	28.0	24.50						
	2	75757-5281	75757-1281	75757-1282								
	3	75757-5381	75757-1381	75757-1382								
	4	75757-5481	75757-1481	75757-1482								
2 x 10	1	75757-5101	75757-1101	75757-1102	35.0	31.50						
	2	75757-5201	75757-1201	75757-1202								
	3	75757-5301	75757-1301	75757-1302								
	4	75757-5401	75757-1401	75757-1402								
CKT SIZE	PLATING OPTION	MATERIAL NUMBER	*C* DIM	*F* DIM	MATERIAL NUMBER	*C* DIM	*F* DIM	MATERIAL NUMBER	*C* DIM	*F* DIM	*A* DIM	*B* DIM

<b>SEE SHEET 1</b> EC NO: I2017-0047 DRAWN BY: G CHKD: APPR: VITTARKAR 2017/04/24 REV	QUALITY SYMBOLS	GENERAL TOLERANCES (UNLESS SPECIFIED)	DIMENSION STYLE	SCALE	DESIGN UNITS	THIRD ANGLE PROJECTION
	▽=0	mm INCH	MM ONLY	1:1	METRIC	
	▽=0	4 PLACES ± --- ± ---	DRAWN BY DATE	TITLE		
	▽=0	3 PLACES ± --- ± ---	1/18/05	MX150 DUAL ROW UNSHROUDED VERTICAL HEADER ASSEMBLY		
	2 PLACES ± 0.13 ± ---	CHECKED BY DATE	molex			
	1 PLACE ± 0.25 ± ---	1/18/05	SD-75757-002			
	0 PLACE ± ±	APPROVED BY DATE	SHEET NO. 2 OF 2			
	ANGULAR ± 1/2°	BANAKIS 1/18/05	DOCUMENT NO.			
	DRAFT WHERE APPLICABLE MUST REMAIN WITHIN DIMENSIONS	MATERIAL NO.	THIS DRAWING CONTAINS INFORMATION THAT IS PROPRIETARY TO MOLEX INCORPORATED AND SHOULD NOT BE USED WITHOUT WRITTEN PERMISSION			



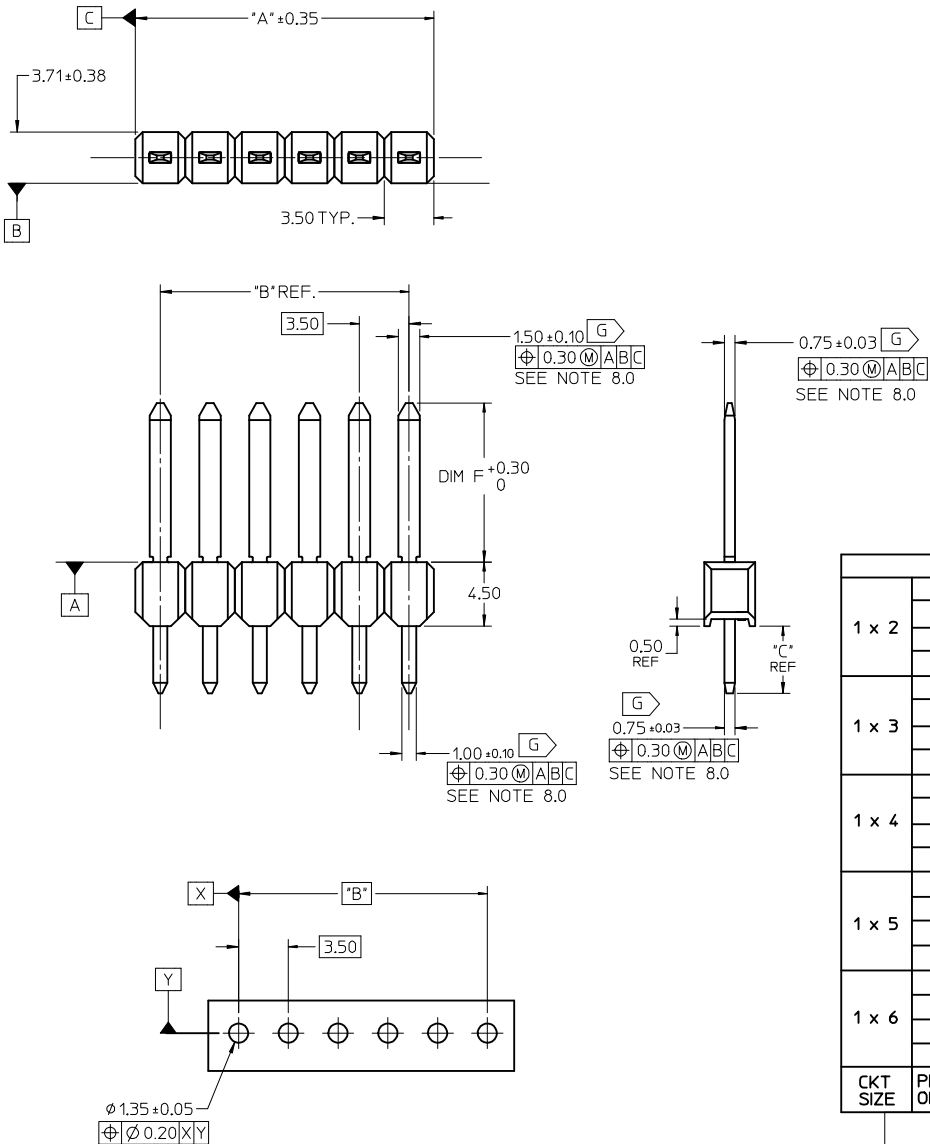
RECOMMENDED PCB LAYOUT

- NOTES:
1. TERMINAL MAT'L: ALLOY C26000, CARTRIDGE BRASS
  2. WAFER MAT'L: 30% GLASS FILLED LCP, 94V-0, COLOR BLACK.
  3. TERMINAL PLATING:
    - OPTION 4 - 1.5µm MIN MATTE TIN OVERALL OVER 1.25µm NICKEL OVERALL
    - OPTION 1 - 2.5µm MIN MATTE TIN OVERALL OVER 1.25µm NICKEL OVERALL
    - OPTION 2 - 1.25µm NICKEL OVERALL 2.5µm MIN SELECT MATTE TIN PC TAIL  
AREA 0.05-0.25µm SELECT GOLD CONTACT AREA
    - OPTION 3 - 1.25µm NICKEL OVERALL 2.5µm MIN SELECT MATTE TIN PC TAIL  
AREA 0.75µm SELECT GOLD CONTACT AREA
  4. HEADER ASSEMBLIES ARE TUBE PACKAGED PER PK-36518-340.
  5. ALL THE POSITIONAL TOLERANCES SHOULD BE MEASURED AT TIP OF THE TERMINALS.
  6. DATUMS SHOULD BE CONSIDERED FROM THE EDGES OF THE HOUSING.
  7. POSITION TOLERANCE OF PIN AT MATING SIDE SHOULD BE MAINTAINED AT 0.3 MM IN THE FINAL MODULE BY CUSTOMER
  8. (G) DENOTES DIMENSIONS THAT CAN BE QUALIFIED WITH A GAUGE
  9. **BLADE GEOMETRY DOES NOT CONFORM TO USCAR SPECIFICATIONS**

ADDED NOTE 8 & 9. EC NO: 12017-0047 DRW:RGV 2017/04/20 CHKD: VUTTARKAR APPR:VUTTARKAR 2017/04/24	QUALITY SYMBOLS	GENERAL TOLERANCES (UNLESS SPECIFIED)	DIMENSION STYLE	SCALE	DESIGN UNITS	THIRD ANGLE PROJECTION
	▽=0	mm INCH	MM ONLY	4:1	METRIC	
	▽=0	4 PLACES ± --- ± ---	DRAWN BY	DATE	TITLE	MX150 DUAL ROW UNSHROUDED VERTICAL HEADER ASSEMBLY
	▽=0	3 PLACES ± --- ± ---	RGV	2016/11/29		
	2 PLACES ± 0.13 ± ---	CHECKED BY	DATE	<b>molex</b> SD-75757-003		
	1 PLACE ± 0.25 ± ---	VUTTARKAR	2017/01/02			
	0 PLACE ± ±	APPROVED BY	DATE	MATERIAL NO.	DOCUMENT NO.	SHEET NO.
	ANGULAR ±1/2°	VUTTARKAR	2017/01/02	SEE CHART	SD-75757-003	1 OF 2
	DRAFT WHERE APPLICABLE MUST REMAIN WITHIN DIMENSIONS	SIZE	THIS DRAWING CONTAINS INFORMATION THAT IS PROPRIETARY TO MOLEX INCORPORATED AND SHOULD NOT BE USED WITHOUT WRITTEN PERMISSION			
4	REV					

2 x 2	1	75757-6121	7.0	3.50 REF
	2	75757-6221		
	3	75757-6321		
	4	75757-6421		
2 x 3	1	75757-6131	10.5	7.00
	2	75757-6231		
	3	75757-6331		
	4	75757-6431		
2 x 4	1	75757-6141	14.0	10.50
	2	75757-6241		
	3	75757-6341		
	4	75757-6441		
2 x 6	1	75757-6161	21.0	17.50
	2	75757-6261		
	3	75757-6361		
	4	75757-6461		
2 x 8	1	75757-6181	28.0	24.50
	2	75757-6281		
	3	75757-6381		
	4	75757-6481		
2 x 10	1	75757-6101	35.0	31.50
	2	75757-6201		
	3	75757-6301		
	4	75757-6401		
CKT SIZE	PLATING OPTION	MATERIAL NUMBER	*A* DIM	*B* DIM

<b>SEE SHEET 1</b> IEC NO: I2017-0047 DRAWN BY: RGV CHKD: VUTTARKAR APPR: VUTTARKAR 2017/04/20 2017/04/24	QUALITY SYMBOLS ▽=0 ▽=0 ▽=0	GENERAL TOLERANCES (UNLESS SPECIFIED)		DIMENSION STYLE <b>MM ONLY</b>		SCALE <b>1:1</b>	DESIGN UNITS <b>METRIC</b>	THIRD ANGLE PROJECTION			
		4 PLACES ± --- ± ---	3 PLACES ± --- ± ---	2 PLACES ± 0.13 ± ---	1 PLACE ± 0.25 ± ---	0 PLACE ± ±	DRAWN BY: RGV DATE: 2016/11/29	TITLE <b>MX150 DUAL ROW UNSHROUDED VERTICAL HEADER ASSEMBLY</b>			
		ANGULAR ±1/2°		DRAFT WHERE APPLICABLE MUST REMAIN WITHIN DIMENSIONS		APPROVED BY: VUTTARKAR DATE: 2017/01/02	<b>molex</b>				
		MATERIAL NO.		<b>SEE CHART</b>		DOCUMENT NO.		<b>SD-75757-003</b>		SHEET NO. <b>2 OF 2</b>	
THIS DRAWING CONTAINS INFORMATION THAT IS PROPRIETARY TO MOLEX INCORPORATED AND SHOULD NOT BE USED WITHOUT WRITTEN PERMISSION											



- NOTES:
1. TERMINAL MAT'L: ALLOY C26000, CARTRIDGE BRASS
  2. WAFER MAT'L: 30% GLASS FILLED LCP, 94V-0, COLOR BLACK.
  3. TERMINAL PLATING:
    - OPTION 1 - 2.5µm MIN MATTE TIN OVERALL OVER 1.50µm MIN. NICKEL OVERALL
    - OPTION 2 - 1.50µm MIN. NICKEL OVERALL 4.00µm MIN SELECT MATTE TIN PC TAIL AREA 0.05µm MIN SELECT GOLD CONTACT AREA
    - OPTION 3 - 1.50µm MIN. NICKEL OVERALL 4.00µm MIN SELECT MATTE TIN PC TAIL AREA 0.50µm MIN. SELECT GOLD CONTACT AREA
    - OPTION 4 - 1.5µm MIN MATTE TIN OVERALL OVER 1.50µm MIN. NICKEL OVERALL
  4. HEADER ASSEMBLIES ARE TUBE PACKAGED PER PK-36518-342.
  5. MAXIMUM SKIVING ALLOWED: 1mm.
  6. MAXIMUM CUT-OFF BURR ALLOWED: 0.30mm.
  7. MAXIMUM DIG MARK ALLOWED: 0.45mm.
  8. ALL THE POSITIONAL TOLERANCES SHOULD BE MEASURED AT TIP OF THE TERMINALS.
  9. POSITION TOLERANCE OF PIN AT MATING SIDE SHOULD BE MAINTAINED AT 0.3MM IN THE FINAL MODULE BY CUSTOMER.
  10. [G] DENOTES DIMENSIONS THAT CAN BE QUALIFIED WITH GAUGE
- 11. BLADE GEOMETRY DOES NOT CONFORM TO USCAR SPECIFICATIONS.**

CKT SIZE	PLATING OPTION	TOOLED				TOOLED				TOOLED				STATUS		
		MATERIAL NUMBER	*F* DIM	*C* DIM	MATERIAL NUMBER	*F* DIM	*C* DIM	MATERIAL NUMBER	*F* DIM	*C* DIM	MATERIAL NUMBER	*F* DIM	*C* DIM	*A* DIM	*B* DIM	
1 x 2		1	75757-0121	11.20	3.05	75757-0122	11.20	4.75	75757-0123	16.09	3.05	75757-0124	13.35	3.05	7	3.5
		2	75757-0221			75757-0222			75757-0223			75757-0224				
		3	75757-0321			75757-0322			75757-0323			75757-0324				
		4	75757-0421			75757-0422			75757-0423			75757-0424				
1 x 3		1	75757-0131	11.20	3.05	75757-0132	11.20	4.75	75757-0133	16.09	3.05	75757-0134	13.35	3.05	10.5	7.00
		2	75757-0231			75757-0232			75757-0233			75757-0234				
		3	75757-0331			75757-0332			75757-0333			75757-0334				
		4	75757-0431			75757-0432			75757-0433			75757-0434				
1 x 4		1	75757-0141	11.20	3.05	75757-0142	11.20	4.75	75757-0143	16.09	3.05	75757-0144	13.35	3.05	14.0	10.50
		2	75757-0241			75757-0242			75757-0243			75757-0244				
		3	75757-0341			75757-0342			75757-0343			75757-0344				
		4	75757-0441			75757-0442			75757-0443			75757-0444				
1 x 5		1	75757-0151	11.20	3.05	75757-0152	11.20	4.75	75757-0153	16.09	3.05	75757-0154	13.35	3.05	17.5	14.00
		2	75757-0251			75757-0252			75757-0253			75757-0254				
		3	75757-0351			75757-0352			75757-0353			75757-0354				
		4	75757-0451			75757-0452			75757-0453			75757-0454				
1 x 6		1	75757-0161	11.20	3.05	75757-0162	11.20	4.75	75757-0163	16.09	3.05	75757-0164	13.35	3.05	21.0	17.50
		2	75757-0261			75757-0262			75757-0263			75757-0264				
		3	75757-0361			75757-0362			75757-0363			75757-0364				
		4	75757-0461			75757-0462			75757-0463			75757-0464				

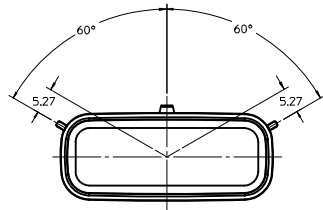
RECOMMENDED PCB LAYOUT

Pos. Tol. det. Added EC NO: I2017-0047 DRAWN:RGV 2016/11/14 CHKD: APPR:VUTTARKAR 2017/04/24	QUALITY SYMBOLS	GENERAL TOLERANCES (UNLESS SPECIFIED)	DIMENSION STYLE	SCALE	DESIGN UNITS	THIRD ANGLE PROJECTION
	▽=0	mm INCH	MM ONLY	4:1	METRIC	⊙
	▽=0	4 PLACES ± --- ± ---	DRAWN BY DATE	TITLE		
	▽=0	3 PLACES ± 0.13 ± ---	TMCCLELL 1/24/06	MX150 SINGLE ROW UNSHROUDED VERTICAL HEADER ASSEMBLY		
	1 PLACE ± 0.25 ± ---	CHECKED BY DATE	SD-75757-010			
	0 PLACE ± ±	TMCCLELL 1/24/06	MATERIAL NO. DOCUMENT NO.			
	ANGULAR ±1/2°	APPROVED BY DATE	BANKA I S 1/24/06			
	DRAFT WHERE APPLICABLE MUST REMAIN WITHIN DIMENSIONS	BANAK I S 1/24/06	SEE CHART			
			THIS DRAWING CONTAINS INFORMATION THAT IS PROPRIETARY TO MOLEX INCORPORATED AND SHOULD NOT BE USED WITHOUT WRITTEN PERMISSION			

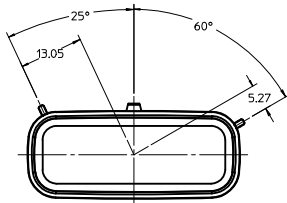


# CUSTOMER SHROUD DESIGN DETAILS

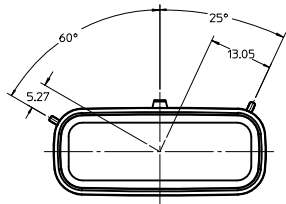
- NOTES:**
1. REFER TO MOLEX SALES DRAWING SD-75757-002 FOR THE HEADER ASSEMBLY PRODUCT DETAILS AND RECOMMENDED PCB LAYOUT.
  2. KEYING OPTIONS A-D AND SUGGESTED COLORS COMPLY TO THE POLARIZATION STANDARDS ESTABLISHED FOR MATING WITH A MX150 FEMALE CONNECTOR.
  3. INTERIOR SHROUD SURFACE MUST BE FREE OF DEFECTS AND PARTING LINES ALL AROUND TO ENSURE PROPER SEALING OF THE MATING MX150 FEMALE CONNECTOR.
  4. A FULL SHROUD ON THE MATING CONNECTOR IS REQUIRED TO INSURE THE HEADER SHROUD POLARIZATION FEATURES (OPTIONS A-D) WILL FUNCTION PROPERLY. THE FULL SHROUD ALSO PREVENTS SCOOP DAMAGE TO THE HEADER CONTACTS.
  5. PERMISSIBLE DRAFT ANGLE 0.25° MAXIMUM.
  6. RADI ON ALL CORNERS SHOWN SHARP OR ALL UNSPECIFIED RADI 0.25 EXCEPT AS NOTED.
  7. DIMENSIONS SHOWN ABOUT A CENTERLINE ARE SYMMETRICAL ABOUT THAT CENTERLINE WITHIN HALF THE SPECIFIED TOLERANCE.



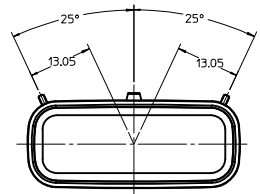
**KEYING OPTION "A"**  
SUGGESTED COLOR: BLACK



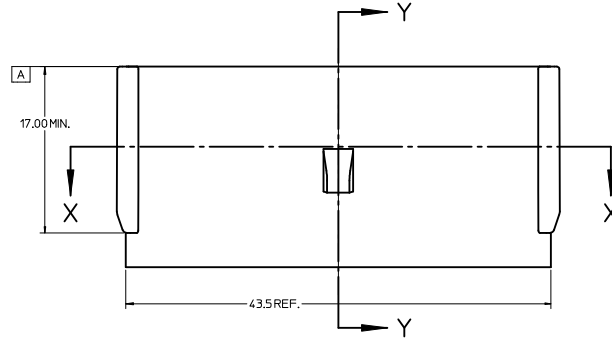
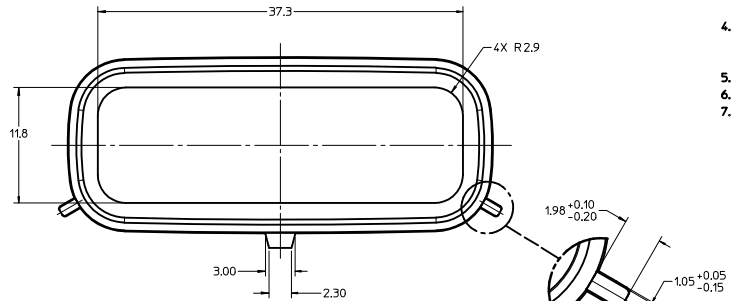
**KEYING OPTION "B"**  
SUGGESTED COLOR: GREY



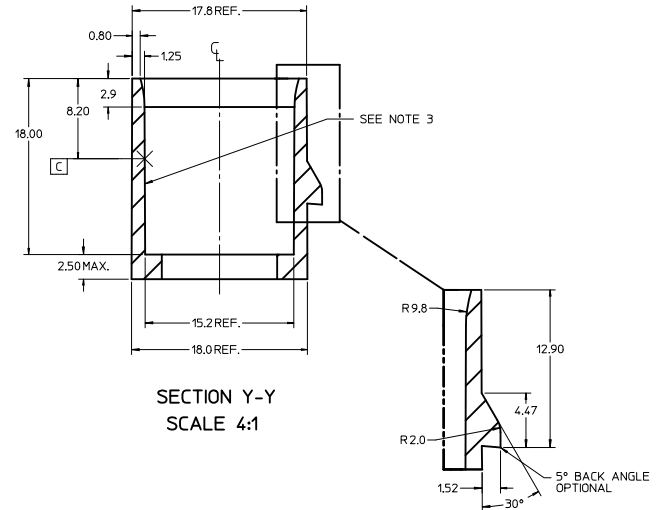
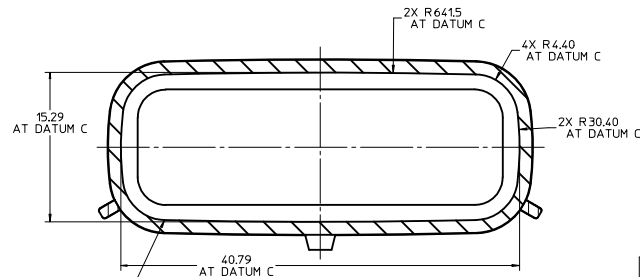
**KEYING OPTION "C"**  
SUGGESTED COLOR: BROWN



**KEYING OPTION "D"**  
SUGGESTED COLOR: GREEN

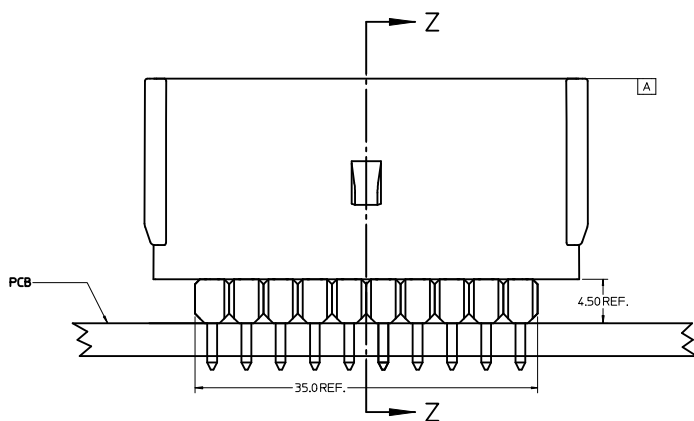
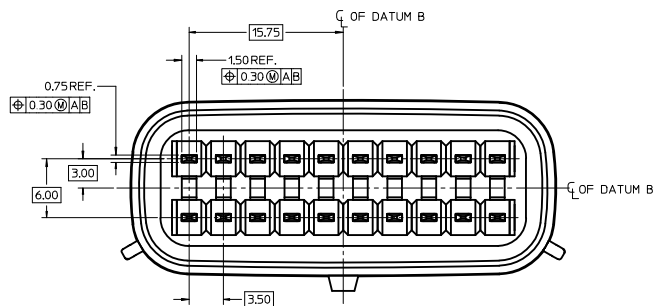


**SECTION X-X**  
SCALE 4:1



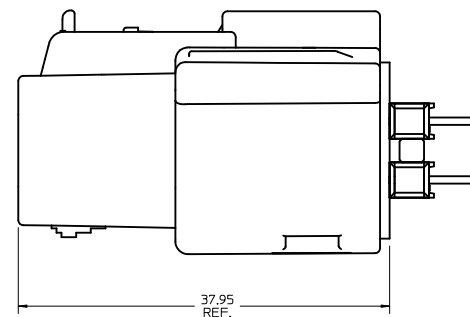
**SECTION Y-Y**  
SCALE 4:1

<b>ADDED PLUG ASSY</b> EC NO: UCP2011-2680 D: DRAWN: ROSCA CHKD: APPR: (OMERCL) REV DESCRIPTION 2011/03/07	<b>QUALITY SYMBOLS</b> =0 =0		<b>GENERAL TOLERANCES (UNLESS SPECIFIED)</b> mm INCH 4 PLACES ±--- ±--- 3 PLACES ±--- ±--- 2 PLACES ±0.10 ±--- 1 PLACE ±0.2 ±--- ANGULAR ±1/2°		<b>DIMENSION STYLE</b> MM ONLY DRAWN BY DATE TMCLELL 02/16/06 CHECKED BY DATE TMCLELL 02/16/06 APPROVED BY DATE BANAKIS 02/16/06		SCALE 2:1 DESIGN UNITS METRIC THIRD ANGLE PROJECTION	
	DRAFT WHERE APPLICABLE MUST REMAIN WITHIN DIMENSIONS		MATERIAL NO. 75757-2100 SIZE D		DOCUMENT NO. AS-75757-210 MOLEX INCORPORATED		APPLICATION SPEC 2X10 MX150 HEADER SHROUD DETAILS	
					MOLEX INCORPORATED		SHEET NO. 1 OF 2	

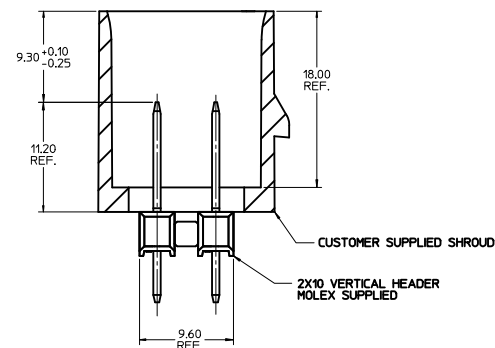


HEADER APPLICATION DETAILS

NOTES:  
 1. ADHERENCE TO THE HEADER APPLICATION DETAILS IS IMPERATIVE TO ENSURE PROPER SHROUD SEALING AND CONTACT ALIGNMENT WHEN MATED WITH A MX150 FEMALE CONNECTOR.



CONNECTOR ASSEMBLY



SECTION Z-Z

SEE SHEET 1 IEC NO. UCP2011-2680 DRAWN BY: DRWN:DRSCA CHKD: APPR.: JCOMERCL 2011/03/04 2011/03/07	QUALITY SYMBOLS	GENERAL TOLERANCES (UNLESS SPECIFIED)	DIMENSION STYLE	SCALE	DESIGN UNITS	THIRD ANGLE PROJECTION
	▽=0 ▽=0	(UNLESS SPECIFIED) mm INCH 4 PLACES ± --- ± --- 3 PLACES ± --- ± --- 2 PLACES ± 0.10 ± --- 1 PLACE ± 0.2 ± --- ANGULAR ± 1/2°	MM ONLY DRAWN BY DATE TMCLELL 02/16/06 CHECKED BY DATE TMCLELL 02/16/06 APPROVED BY DATE BANAKIS 02/16/06	4:1	METRIC	TITLE APPLICATION SPEC 2X10 MX150 HEADER SHROUD DETAILS
	DRAFT WHERE APPLICABLE MUST REMAIN WITHIN DIMENSIONS	MATERIAL NO. 75757-2100	MOLEX INCORPORATED DOCUMENT NO. AS-75757-210	SHEET NO. 2 OF 2		
	THIS DRAWING CONTAINS INFORMATION THAT IS PROPRIETARY TO MOLEX INCORPORATED AND SHOULD NOT BE USED WITHOUT WRITTEN PERMISSION					