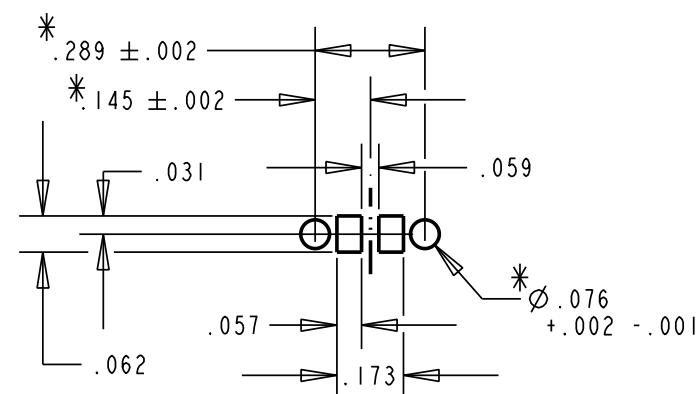
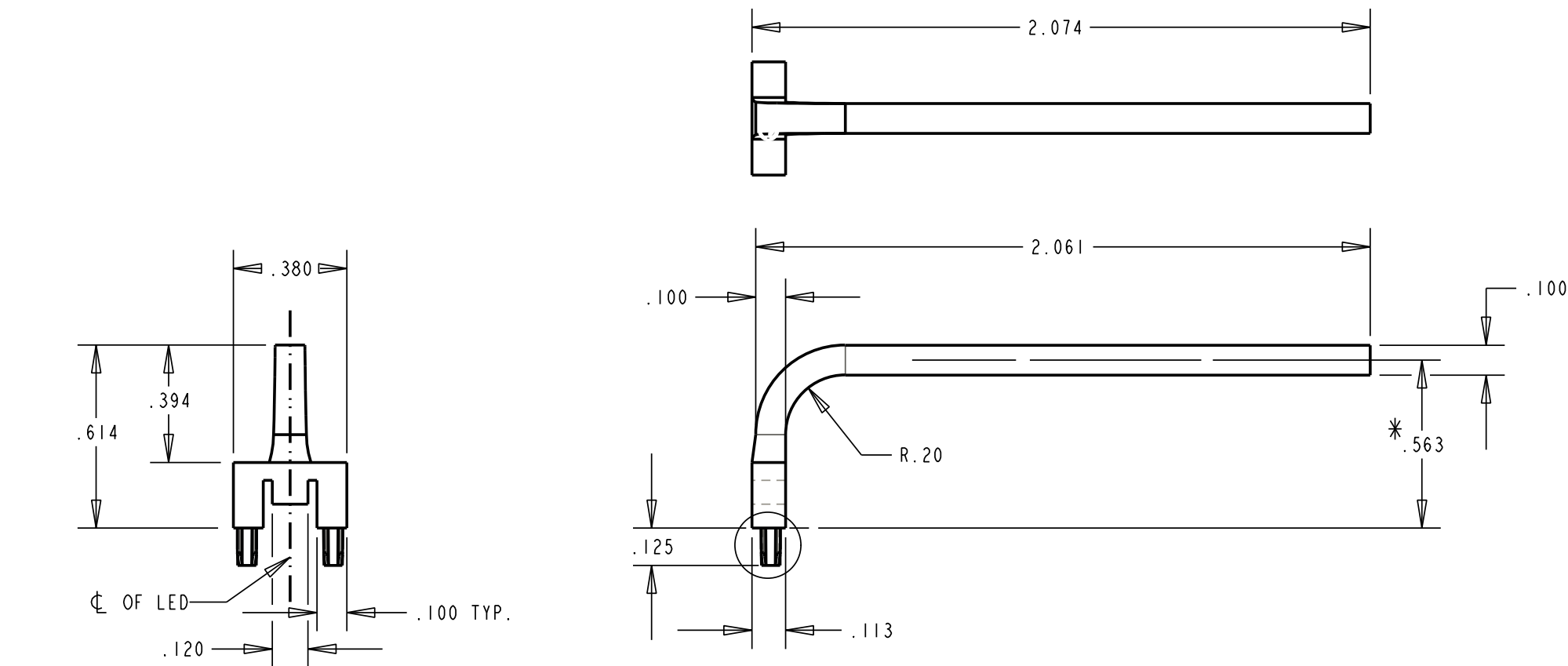
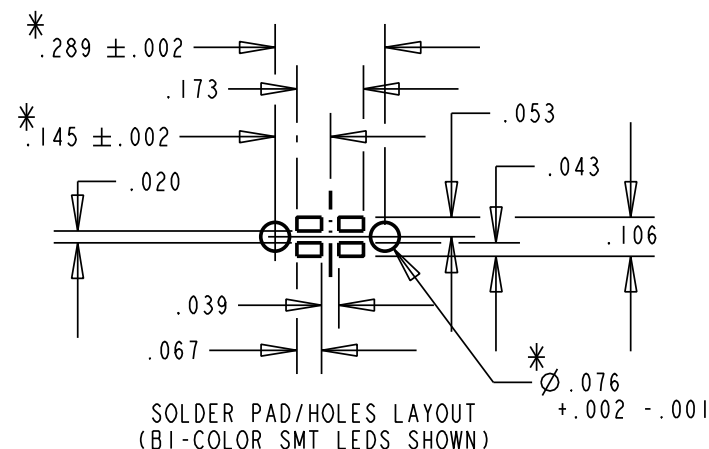


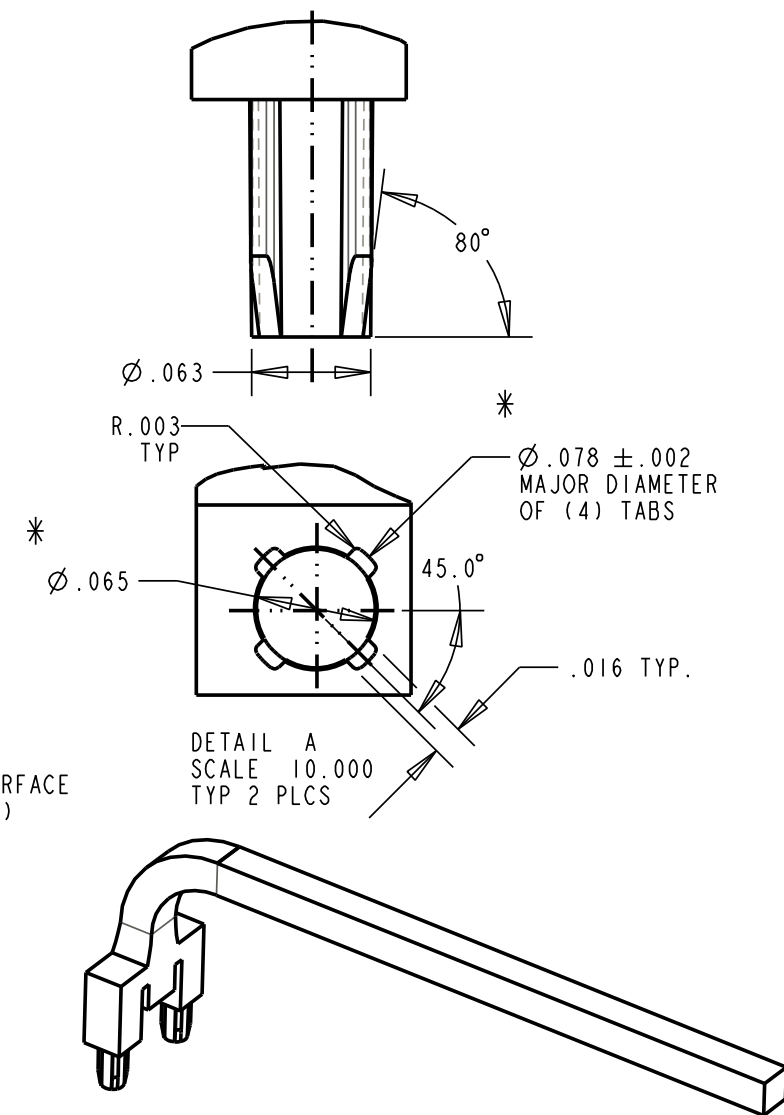
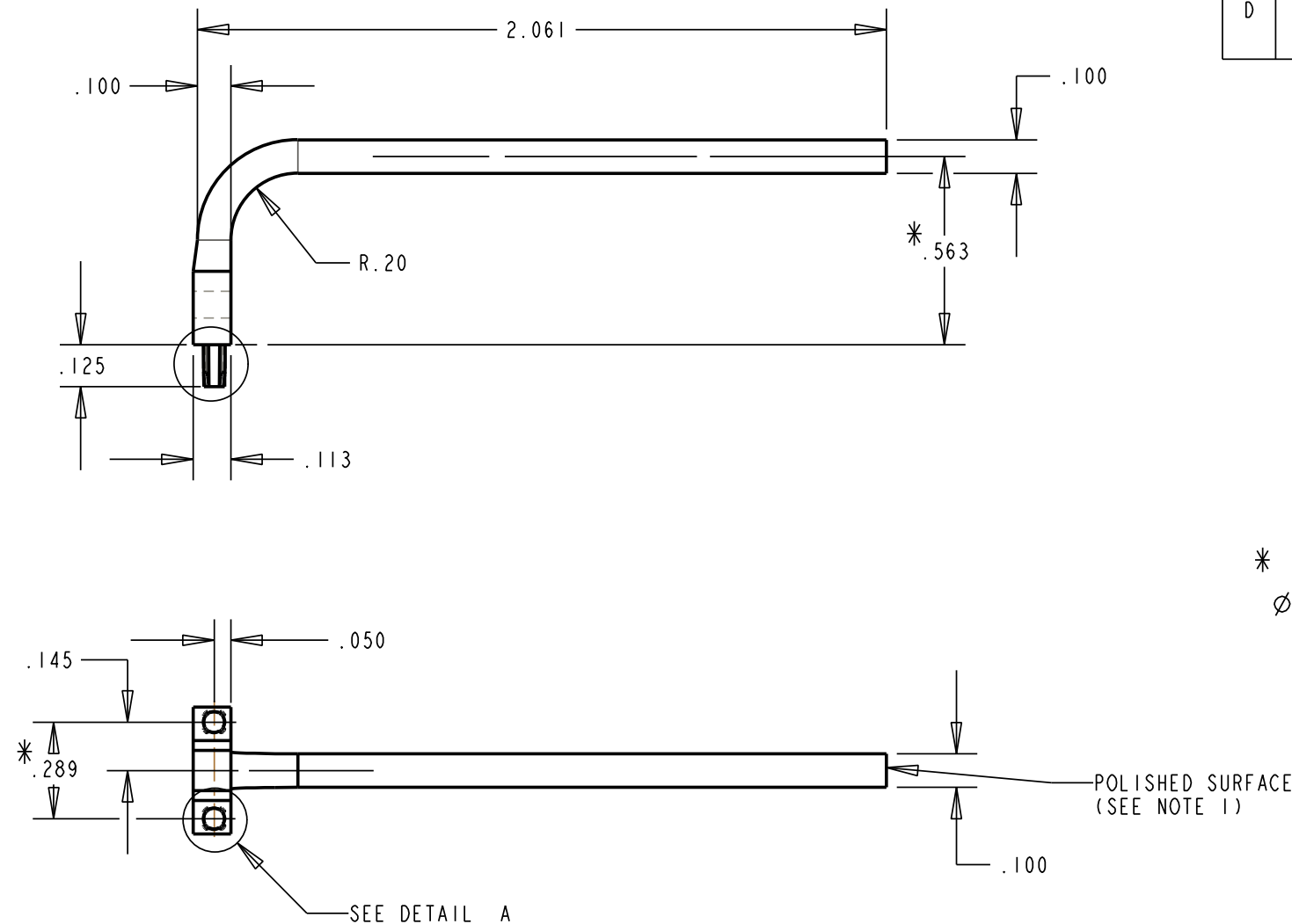
REV.	ECN NO.	REVISIONS	DRN.	CKD.	APP.	DATE
A	—	NEW RELEASE	ADM	AV	NO	3-09-01
B	—	ADDED: DETAIL A (MOUNTING PIN MODIFICATIONS) AND CRITICAL DIMENSIONS NOTE (*)	ADM	DC	NO	8-29-01
C	—	ROTATED PINS 45°. R.003 WAS R.004, Ø.065 WAS Ø.063, .016 WAS .010, .380 WAS .440, .100 WAS .130; ADDED DETAIL WITH 80° & Ø.063 DIMS.	ADM	JMC	N.O.	9-6-01
D	—	ADDED OVERALL DIM. 2.074 AND Ø OF PIN .050; REMOVED ERRONEOUS .072 DIM; ADDED NEW FORMAT	TWC			



SOLDER PAD/HOLES LAYOUT
(SINGLE COLOR SMT LEDES SHOWN)



SOLDER PAD/HOLES LAYOUT
(BI-COLOR SMT LEDES SHOWN)



* DENOTES CRITICAL DIMENSION OR SPECIFICATION

NOTES:

- UNLESS OTHERWISE SPECIFIED, ALL SURFACES MUST HAVE FINISH OF SPI A3 TO B1.
- UNLESS OTHERWISE SPECIFIED, SINK MARKS & KNOCKOUT MARKS NOT TO EXCEED .005" RECESSED.
- FLASH NOT TO EXCEED .005".
- NO BUBBLES IN LIGHTPATH GREATER THAN .005".
- GATE VESTIGE TO BE FLUSH TO .010" ABOVE SURFACE.
- MARKING FOR CAVITY IDENTIFICATION NOT TO EXCEED .003" RAISED, OR NOT TO EXCEED .005" LOWERED.
- UNLESS OTHERWISE SPECIFIED, .003" ROUNDS & FILLETS PERMISSIBLE.
- UNLESS OTHERWISE SPECIFIED, 2 DEGREE DRAFT PERMISSIBLE.
- DIALIGHT P/N 5151111; TELLABS P/N 150319.
- DIALIGHT LIGHT SOURCE P/N'S: SINGLE 597-3XXI-5XX; BI-COLOR 597-77XI-5XX.

THIS DRAWING AND THE CONTENTS HEREIN ARE CONFIDENTIAL AND THE SOLE PROPERTY OF DIALIGHT. REPRODUCTION OF THIS DRAWING OR CONSTRUCTION OF ANY PARTS WITHIN THIS DRAWING ARE FORBIDDEN WITHOUT THE WRITTEN CONSENT OF DIALIGHT.		
SCALE: 1.000 ALL DIM'S IN: INCHES (MM)	DRAWING NUMBER C-16781	REV D
TOLERANCES: UNLESS OTHERWISE SPECIFIED FRACTIONS: ±1/64 DECIMALS (.XX): ±.01 DECIMALS (.XXX): ±.005 DECIMALS (.XXXX): ±.0005 ANGLES: ±1°	TITLE LIGHTPIPE, SINGLE ELEMENT	
FINISH:	MATERIAL	
FSCM 83330	1501 ROUTE 34 SOUTH FARMINGDALE, NJ 07727	
	SHEET 1 OF 1	FAMILY TABLE: