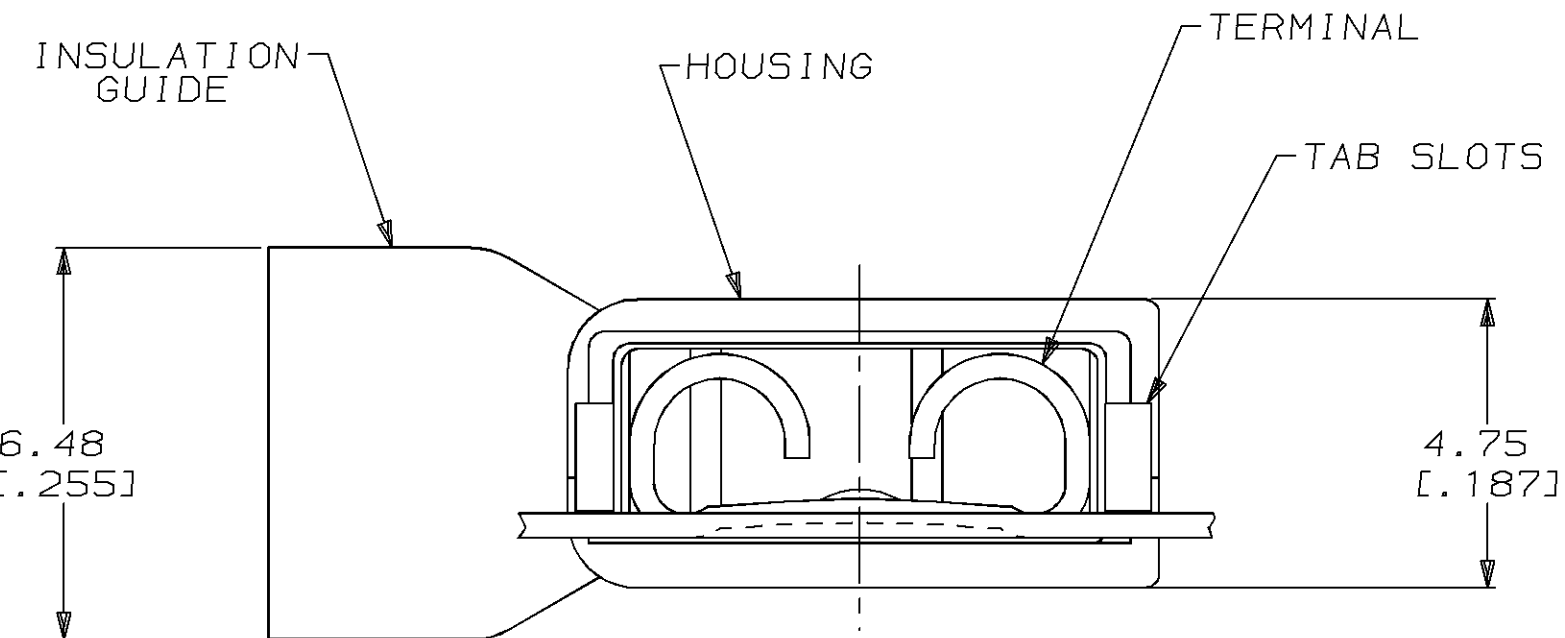
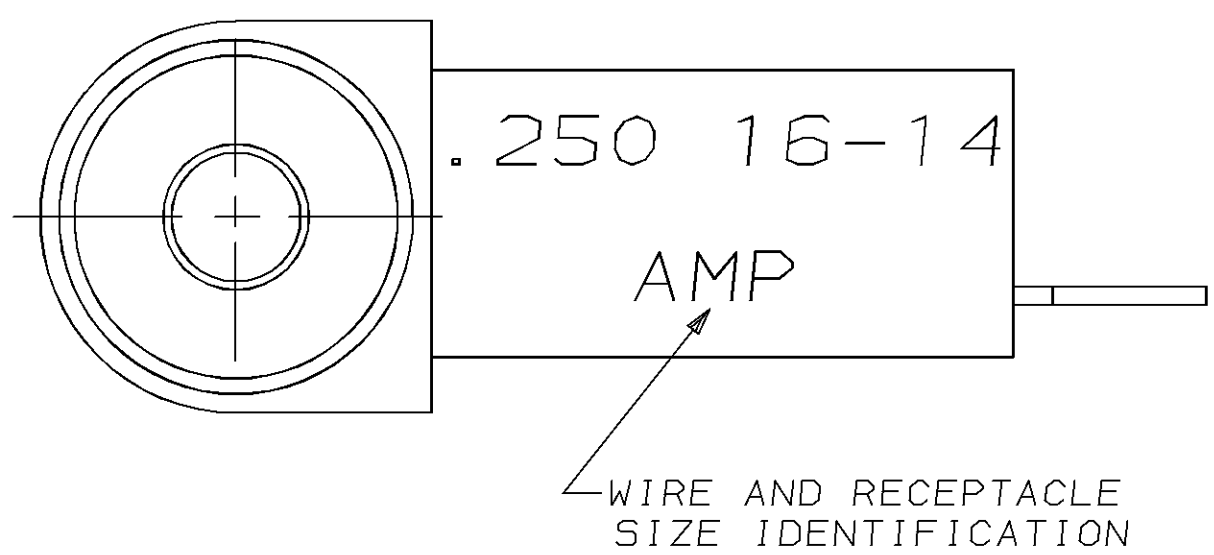
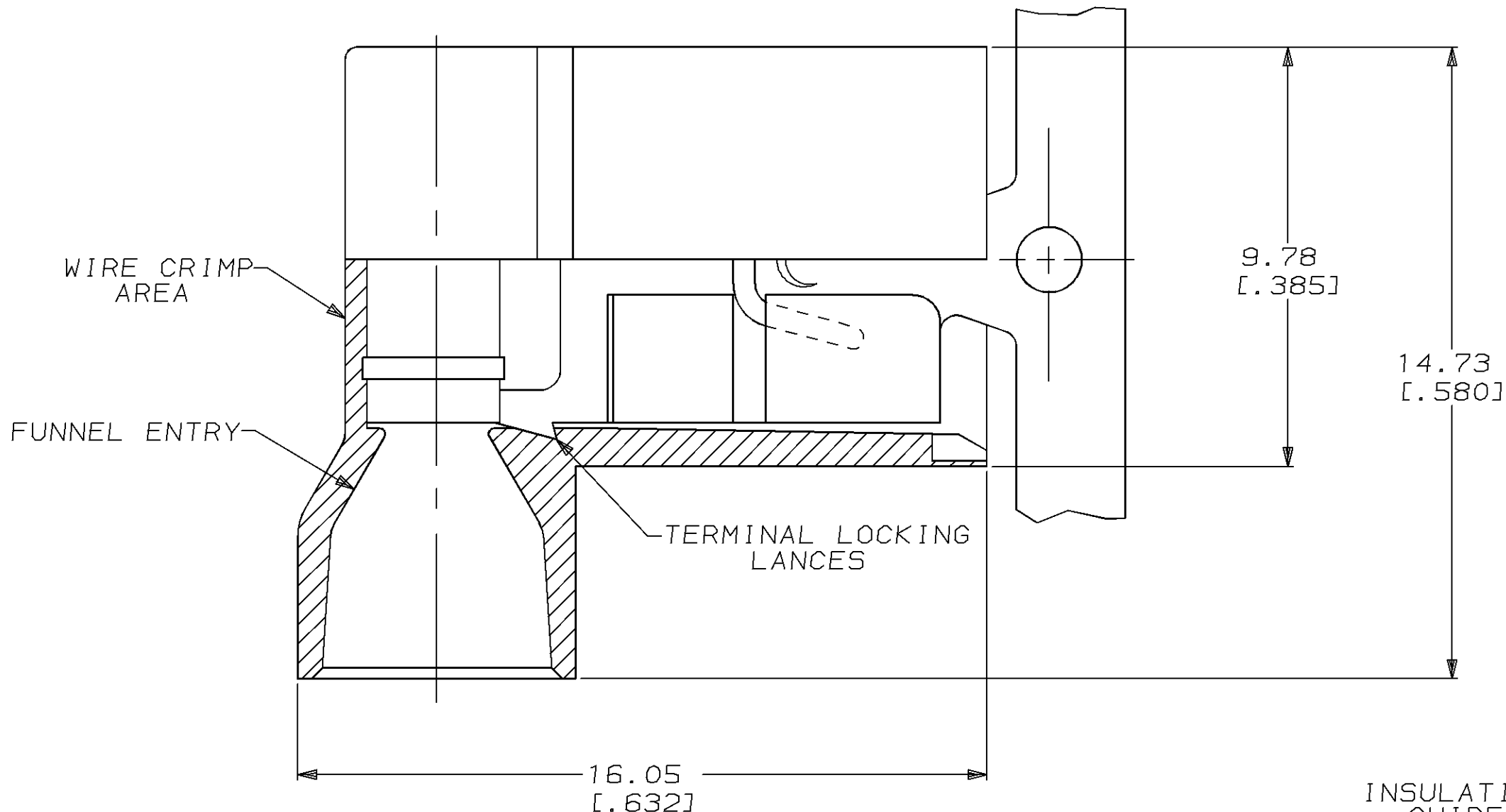


LOC	DIST	P	F	ZONE	LTR	DESCRIPTION	DATE	APPD
AF	50				A	REL PER 0L10-0211-96	12/6/96	JR/JW

- 1 FITS 0.81±0.025 X 6.35 [.032±.001 X .250] TAB REFER TO CP-14251 FOR DETAILS.
- 2 WIRE SIZE: 1.3-2.0mm² [16-14 AWG], STRANDED ONLY. STRIP LENGTH 7.14 [.281]
- 3 INSULATION SIZE: 4.70 [.185] MAX DIA.
- 4 CONTINUOUS STRIP, SPLICE FREE.



HOUSING		TERMINAL		PART NO
MATERIAL	COLOR	MATERIAL	FINISH	
TYPE 6/6 NYLON	BLUE TRANSLUCENT	0.41 [.016] #4H BRASS	TIN	3-521127-2
DO NOT SCALE PRINT. UNLESS SPECIFIED DIMENSIONS IN mm [INCHES] TOLERANCES ON : 2 PLC DEC ± - 3 PLC DEC ± 0.25 [.010] ANGLES ± -		AMP INCORPORATED Harrisburg, Pa. 17105		RECEPTACLE ASSEMBLY, ULTRA-FAST FLAG, 6.35 [.250] SERIES
MATERIAL SEE TABLE		NAME		
FINISH SEE TABLE		DRAWING NO		
MATERIAL		SIZE	CAGE CODE	SHEET
SEE TABLE		C	00779	1 OF 1
FINISH		SCALE	DRAWING NO	
SEE TABLE		10:1	521127	
MATERIAL		WEIGHT		
SEE TABLE		-		

