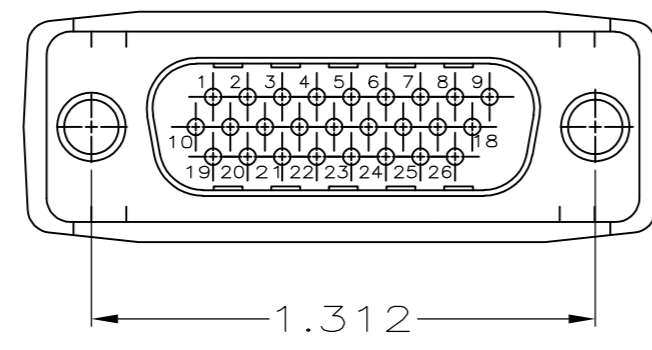
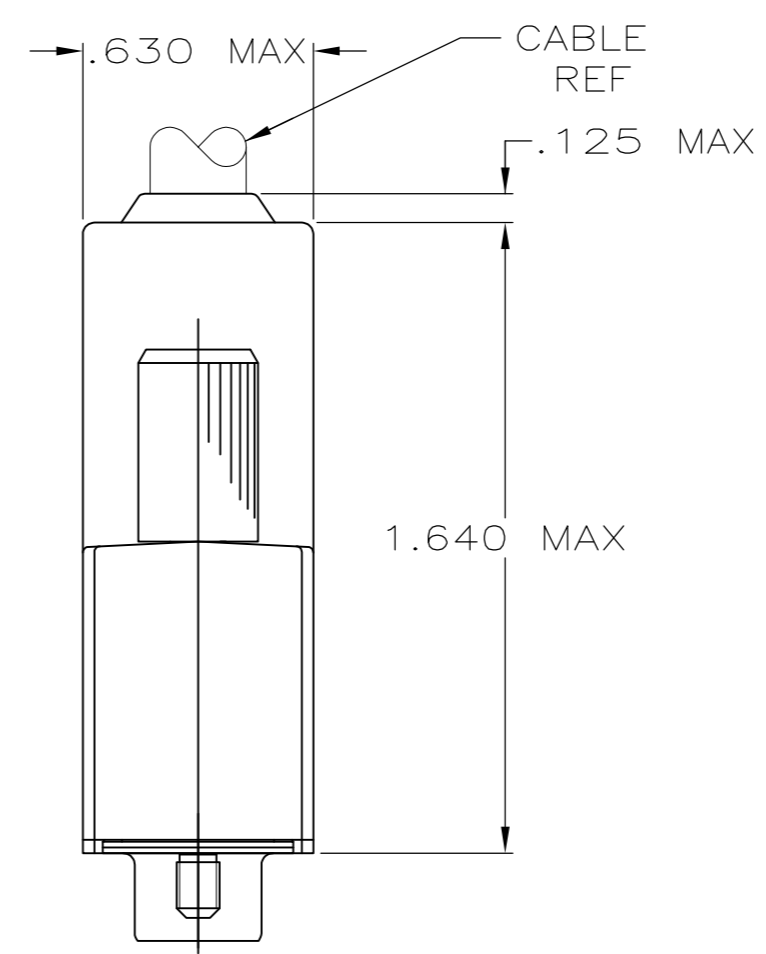
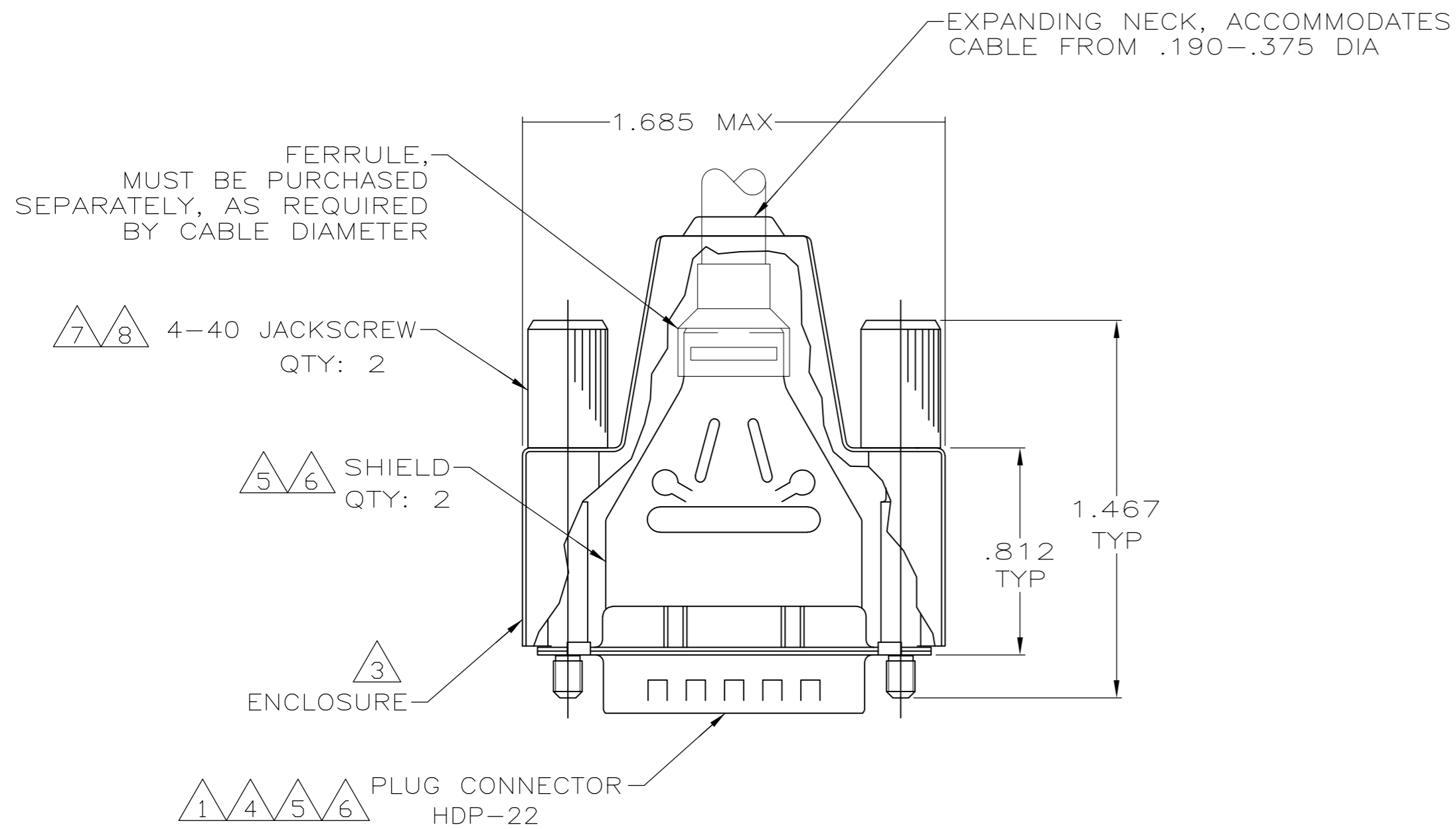


THIS DRAWING IS UNPUBLISHED. RELEASED FOR PUBLICATION
 © COPYRIGHT - By - ALL RIGHTS RESERVED.

LOC	DIST	REVISIONS			
P	LTR	DESCRIPTION	DATE	DWN	APVD
GP	00	B	REVISED PER ECO-11-006475	19OCT2011	CJV/CWR

- ① PLUG ACCEPTS 22 DF PIN CONTACTS. CONTACTS MUST BE PURCHASED SEPARATELY.
- ② ALL PARTS SHIPPED UNASSEMBLED, EACH PART INDIVIDUALLY BULK PACKED.
- ③ FLAME RETARDANT 94V-0 RATED, STYRENE POLYOLEFIN OR PVC, BLACK.
- ④ FLAME RETARDANT 94V-0 RATED, GLASS FILLED NYLON OR POLYESTER, BLACK.
- ⑤ CARBON STEEL.
- ⑥ .000200 MIN. TIN PLATE OVER .000100 MIN COPPER UNDERPLATE.
- ⑦ ELECTRODEPOSITED POLYURETHANE, BLACK.
- ⑧ ZINC ALLOY.



②	W/ LOGOS	1658679-1
PACKAGING	REMARKS	PART NUMBER

THIS DRAWING IS A CONTROLLED DOCUMENT.		DWN L. BAUM 02JAN04	TE TE Connectivity	
DIMENSIONS: INCHES		CHK S. BOLASH 02JAN04		
TOLERANCES UNLESS OTHERWISE SPECIFIED:		APVD M. WALMSLEY 02JAN04	NAME	
0 PLC ± -		PRODUCT SPEC 108-1268	SHIELDING ENCLOSURE KIT, PLUG, SIZE 2, 26 POSN, HDP-22, AMPLIMITE™	
1 PLC ± -		APPLICATION SPEC 114-10001	SIZE A2	CAGE CODE 00779
2 PLC ± -		WEIGHT -	DRAWING NO C=1658679	
3 PLC ± .005		RESTRICTED TO -		
4 PLC ± -		SCALE 2:1 SHEET 1 of 1 REV B		
ANGLES ± 2°		CUSTOMER DRAWING		
FINISH				