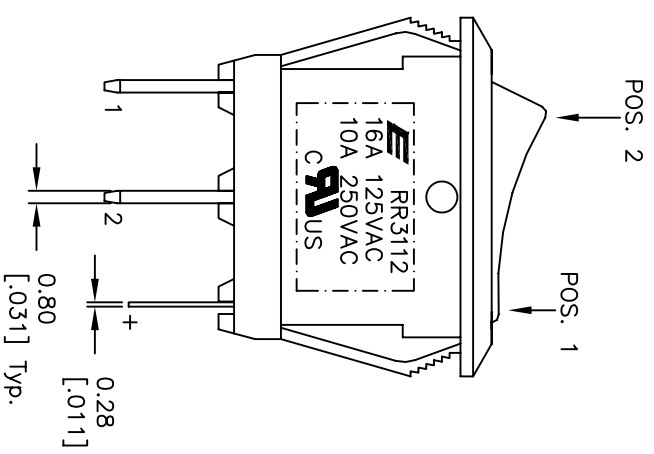
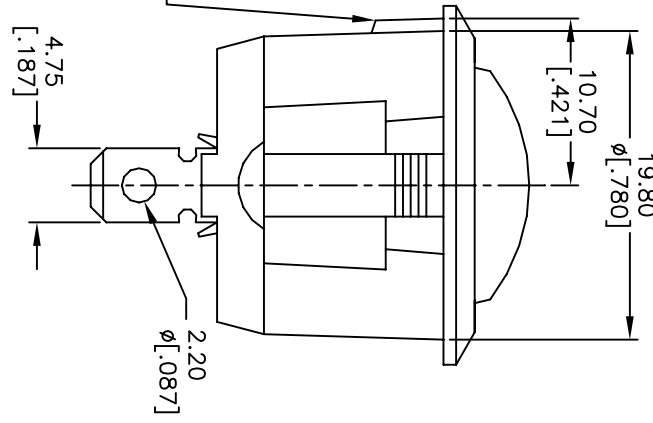
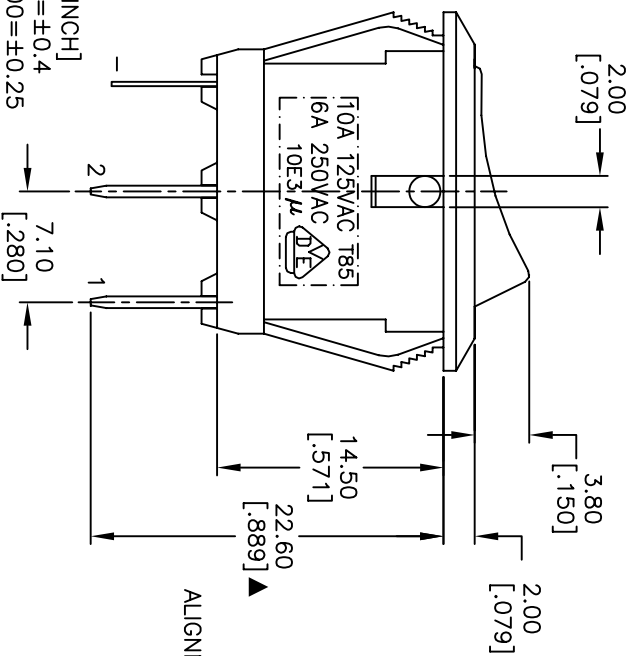


SWITCH FUNCTION	POS. 1	POS. 2
ON	OFF	OFF
2-1	OPEN	OPEN



NOTES:

1. ALL DIMENSIONS IN MM [INCH]
2. GENERAL TOLERANCE: 0.0 ± 0.4
3. TERM. NOS. FOR REF. ONLY
4. RATING: 16A, 125VAC, 10A, 250VAC UL&CUL APPROVED  
10A 125VAC, 6A 250V AC VDE APPROVED
5. CONTACT RESISTANCE: 50m ohm max.
6. INSULATION RESISTANCE: DC 500V 100M ohm min.
7. DIELECTRIC STRENGTHS: AC 1500V 1 minute
8. OPERATING TEMP.: 0°C to 85°C
9. 3V GREEN LED
10. ▲ DENOTES CRITICAL PARAMETER.
11. 2002/95/EC (ROHS) COMPLIANT

**E-SWITCH®**

REV.	ECN No.	DESCRIPTION	DATE	CHKD
A	16008	RELEASED FOR PRODUCTION	5/15/06	CT

THE INFORMATION CONTAINED IN THIS DOCUMENT IS PROPRIETARY TO E-SWITCH AND IS NOT TO BE COPIED OR TRANSFERRED

TITLE	SCALE	DATE	DR	DWG	REV
RR3112LBLKBLKGRNEF3	2:1	5/15/06	CT	F130456	A