

1

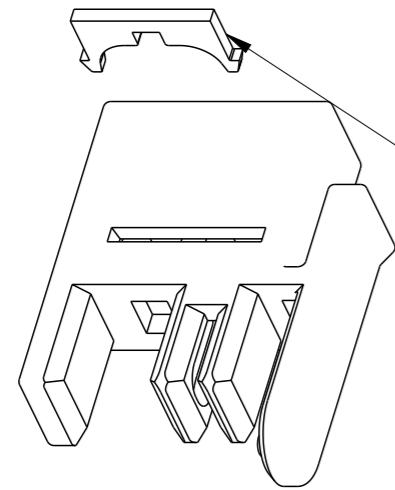
2

3

4

A

A

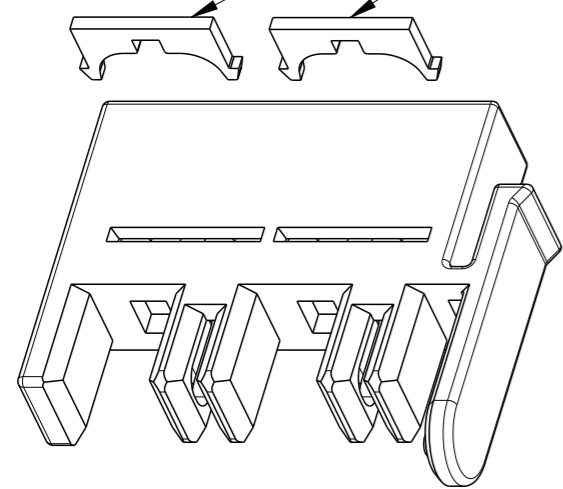


2 POSITION WTB HOUSING KIT

TERMINAL LOCKS

B

B



4 POSITION WTB HOUSING KIT

| PART NO        | DESCRIPTION   | HOUSING QTY | LOCK QTY | PACK QTY |
|----------------|---------------|-------------|----------|----------|
| 10120045-K02LF | 2 POS HSG KIT | 1           | 1        | 1000 nos |
| 10120045-K04LF | 4 POS HSG KIT | 1           | 2        | 1000 nos |

NOTE :-

1. HOUSINGS AND LOCKS TO BE BULK PACKED SEPARATELY IN A BAG (OR MULTIPLE BAGS) AND THEN PACKED TOGETHER.
2. FOR ADDITIONAL INFORMATION ON HOUSINGS AND LOCKS REFER DWG 10120045-H0X & 10120045-L01.
3. LEAD FREE OR RoHS DIRECTIVE LABELING TO BE PROVIDED AS PER GS-14-920
4. "LF" SUFFIX TO THE PRODUCT NUMBER FOR RoHS COMPATIBLE/LEADFREE VERSION.
5. THIS PRODUCT MEETS EUROPEAN UNION DIRECTIVES AND OTHER COUNTRY REGULATIONS AS DESCRIBED IN GS-47-0004
6. THIS PRODUCT HAS NOT COMPLETED VALIDATION TESTING.

**PRELIMINARY**

C

C

D

D

|                                       |  |             |              |                         |                |                        |        |               |             |      |
|---------------------------------------|--|-------------|--------------|-------------------------|----------------|------------------------|--------|---------------|-------------|------|
| spec ref                              | -  | dr          | Mathew Jacob | 2015/03/30              | projection     | MM                     | size   | A3            | scale       | 13:1 |
| tolerance std                         | ISO 406<br>ISO 1101                              | eng         | Mathew Jacob | 2015/07/06              |                |                        | ecn no |               | rel level   |      |
| TOLERANCES UNLESS OTHERWISE SPECIFIED |  | chr         | -            | -                       |                |                        | -      |               | Preliminary |      |
| surface                               | ISO 1302   | appr        | -            | -                       | product family | ROTACONNECT            | dwg no | 10120045-K0Xc |             | rev  |
|                                       | linear   |             |              | CTW HOUSING KIT         |                |                        |        | 1             |             |      |
|                                       | angular  | www.fci.com |              | WIRE TO BOARD CONNECTOR |                |                        |        |               |             |      |
|                                       | 0.X ±0.20<br>0.XX ±0.10<br>0.XXX ±0.05<br>0° ±2° | cat. no.    |              | SEE TABLE               |                | Product - Customer Drw |        | sheet 1 of 1  |             |      |



Copyright FCI.