



Mallory Sonalert Products, Inc.

Part #:

MSE28LCM1

Sales Outline Drawing

Revision:

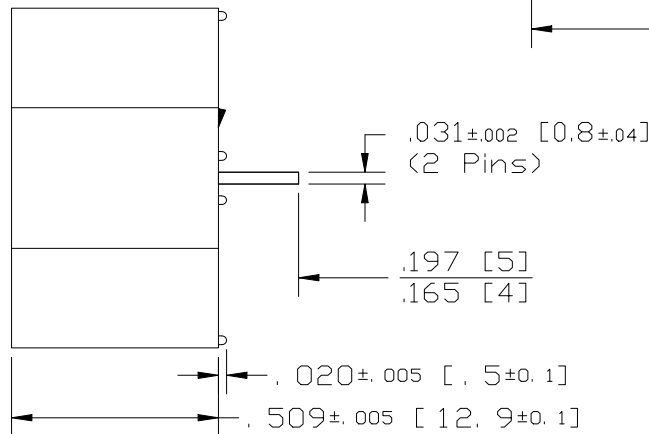
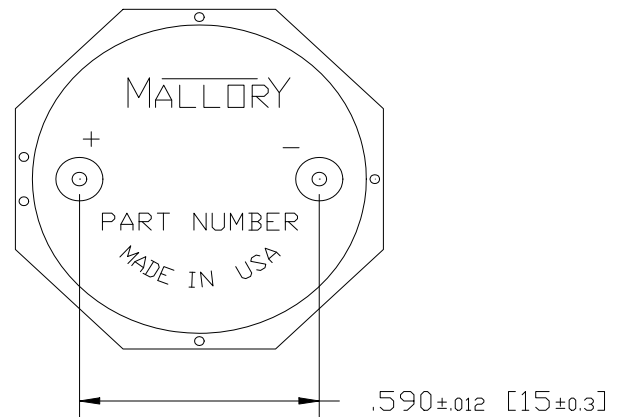
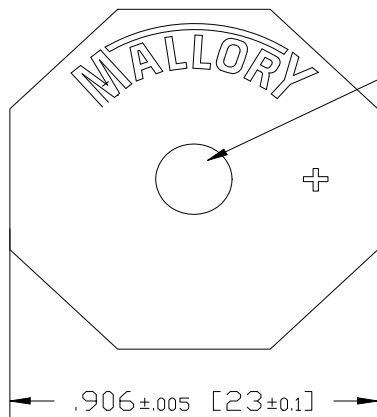
B

Specifications:

| | |
|-----------------------|-------------------------------|
| Sound Level Category | Loud |
| Mode of Operation | Chime @ Once per 3 Seconds |
| Voltage Rating | 20 to 28 VDC |
| Frequency | 3900 ± 500 Hz |
| Loudness @ 1 FT | 85 to 95 dB(A) Typ. |
| Current Draw | 50mA MAX |
| Housing Material | Valox (UL94V-0), Color: Black |
| Storage Temperature | -40° to +80° C |
| Operating Temperature | -40° to +65° C |
| Weight (Typical) | 4.0g |
| Options | Please contact factory. |

Dimensions: Inches (mm)

ROHS Compliant



NOTE A:
TERMINALS - .031" DIA. NICKEL/TIN COATED BRASS.

NOTE B:
MOUNTING- INSERT INTO PRINTED CIRCUIT BOARD AND HAND OR MACHINE SOLDER. UNITS ARE SUITABLE FOR WAVE SOLDERING. RECOMMENDED MAXIMUM TEMPERATURE AND TIME DURATION FOR WAVE SOLDERING IS +270°C AND 3 SECONDS RESPECTIVELY.