

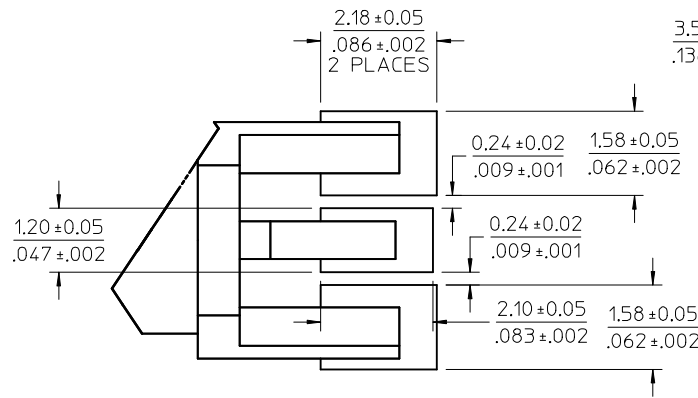
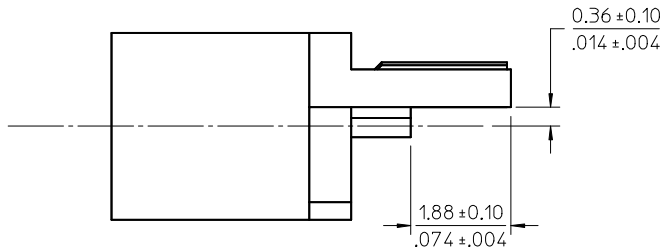
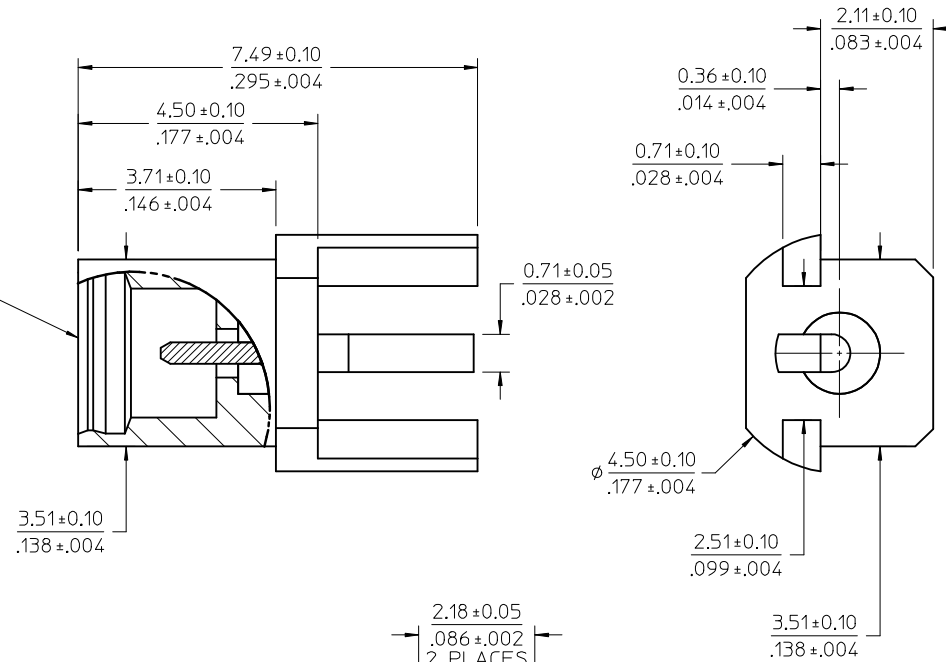
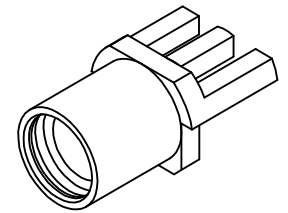
MATERIALS AND FINISHES

BODY, BRASS  
PLATED GOLD

CENTER CONTACT, BRASS  
PLATED GOLD

INSULATOR, TEFLON

MMCX JACK  
REVERSE  
POLAR



RECOMMENDED PCB LAYOUT  
DESIGN FOR 50 OHM CPW MICROSTRIP

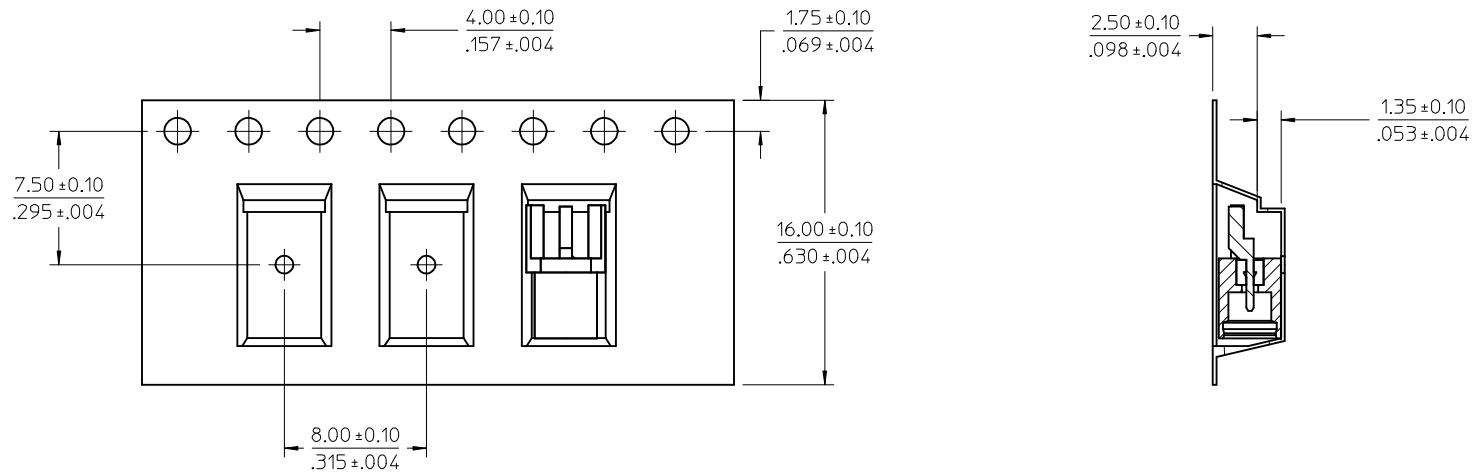
ALL PARTS COMMERCIAL PLATING  
UNLESS OTHERWISE NOTED

73415-1554	LEADS ORIENTED TOWARDS FEED HOLES AND P/N: 52-060004-01N ON OUTER AND INNER PACKAGING
73415-1553	LEADS ORIENTED TOWARDS FEED HOLES
73415-1552	MIL PLATING; LEADS OPPOSITE HOLES
73415-1551	PACKAGED ONE PER BAG
73415-1550	MILITARY PLATING; PACKED ONE PER BAG
PART NO.	DESCRIPTION

CHG: ADD SUGGESTED PAD DIM EWR RF15-E264  
 EC NO: URF2016-0063  
 DRWN: SH001 2015/07/30  
 CHKD: CHIKO  
 APPR: YCHENG 2015/08/07  
 DESCRIPTION

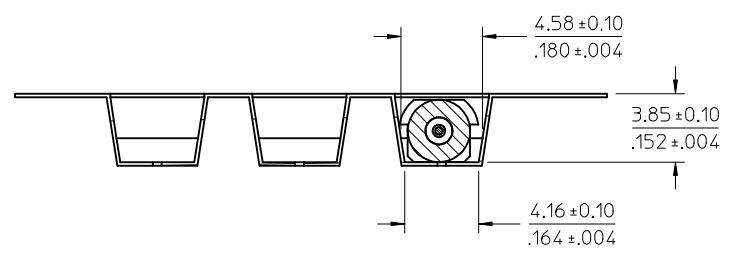
QUALITY SYMBOLS	GENERAL TOLERANCES (UNLESS SPECIFIED)
$\nabla=0$	mm INCH
$\nabla=0$	4 PLACES $\pm$ --- $\pm$ ---
	3 PLACES $\pm$ --- $\pm$ ---
	2 PLACES $\pm 0.05$ $\pm$ ---
	1 PLACE $\pm 0.1$ $\pm$ ---
	ANGULAR $\pm 2^\circ$
	DRAFT WHERE APPLICABLE MUST REMAIN WITHIN DIMENSIONS

PS-89675-1920		ELECTRO/MECH PERFORMANCE	
SPECIFICATION		DESCRIPTION	
DIMENSION STYLE MM/IN	SCALE	DESIGN UNITS METRIC	THIRD ANGLE PROJECTION
DRAWN BY LYNN	DATE 2000/03/01	TITLE MMCX JACK REVERSE POLAR 50 OHM MMCX-J/PCB	
CHECKED BY JOHNSON	DATE 2000/03/01	APPROVED BY MISEN	
MATERIAL NO.		DOCUMENT NO.	
SEE TABLE		SD-73415-155	
SIZE A2		THIS DRAWING CONTAINS INFORMATION THAT IS PROPRIETARY TO MOLEX INCORPORATED AND SHOULD NOT BE USED WITHOUT WRITTEN PERMISSION	
			SHEET NO. 1 OF 2



NOTES:

1. DIMENSIONS ARE PROVIDED FOR REFERENCE
2. PACKAGING WITH TAPE AND REEL  
PART NO.:73415-1552/73415-1553/73415-1554



SEE SHEET 1 EC NO: URF2016-0063 DRWN:SH001 2015/07/30 CHKD: APPR:YCHENG 2015/08/07 D2	QUALITY SYMBOLS	GENERAL TOLERANCES (UNLESS SPECIFIED)	DIMENSION STYLE	SCALE	DESIGN UNITS	THIRD ANGLE PROJECTION																		
	$\nabla=0$ $\nabla=0$	<table border="1"> <thead> <tr> <th></th> <th>mm</th> <th>INCH</th> </tr> </thead> <tbody> <tr> <td>4 PLACES</td> <td>± .05</td> <td>± .001</td> </tr> <tr> <td>3 PLACES</td> <td>± .05</td> <td>± .001</td> </tr> <tr> <td>2 PLACES</td> <td>± 0.05</td> <td>± .001</td> </tr> <tr> <td>1 PLACE</td> <td>± 0.1</td> <td>± .001</td> </tr> </tbody> </table>		mm	INCH	4 PLACES	± .05	± .001	3 PLACES	± .05	± .001	2 PLACES	± 0.05	± .001	1 PLACE	± 0.1	± .001	<table border="1"> <thead> <tr> <th>mm/IN</th> <th>DATE</th> </tr> </thead> <tbody> <tr> <td>MM</td> <td>2000/03/01</td> </tr> </tbody> </table>	mm/IN	DATE	MM	2000/03/01	METRIC	
		mm	INCH																					
	4 PLACES	± .05	± .001																					
3 PLACES	± .05	± .001																						
2 PLACES	± 0.05	± .001																						
1 PLACE	± 0.1	± .001																						
mm/IN	DATE																							
MM	2000/03/01																							
DESCRIPTION	DRAFT WHERE APPLICABLE MUST REMAIN WITHIN DIMENSIONS	<table border="1"> <thead> <tr> <th>DRAWN BY</th> <th>DATE</th> <th>TITLE</th> </tr> </thead> <tbody> <tr> <td>LYNN</td> <td>2000/03/01</td> <td rowspan="2">MMCX JACK REVERSE POLAR 50 OHM MMCX-J/PCB</td> </tr> <tr> <td>CHECKED BY</td> <td>DATE</td> </tr> <tr> <td>JOHNSON</td> <td>2000/03/01</td> <td rowspan="2">            MOLEX INCORPORATED         </td> </tr> <tr> <td>APPROVED BY</td> <td>DATE</td> </tr> <tr> <td>MISEN</td> <td>2000/03/01</td> <td> <table border="1"> <thead> <tr> <th>MATERIAL NO.</th> <th>DOCUMENT NO.</th> <th>SHEET NO.</th> </tr> </thead> <tbody> <tr> <td>SEE SHEET 1</td> <td>SD-73415-155</td> <td>2 OF 2</td> </tr> </tbody> </table> </td> </tr> </tbody> </table>	DRAWN BY	DATE	TITLE	LYNN	2000/03/01	MMCX JACK REVERSE POLAR 50 OHM MMCX-J/PCB	CHECKED BY	DATE	JOHNSON	2000/03/01	MOLEX INCORPORATED	APPROVED BY	DATE	MISEN	2000/03/01	<table border="1"> <thead> <tr> <th>MATERIAL NO.</th> <th>DOCUMENT NO.</th> <th>SHEET NO.</th> </tr> </thead> <tbody> <tr> <td>SEE SHEET 1</td> <td>SD-73415-155</td> <td>2 OF 2</td> </tr> </tbody> </table>	MATERIAL NO.	DOCUMENT NO.	SHEET NO.	SEE SHEET 1	SD-73415-155	2 OF 2
DRAWN BY	DATE	TITLE																						
LYNN	2000/03/01	MMCX JACK REVERSE POLAR 50 OHM MMCX-J/PCB																						
CHECKED BY	DATE																							
JOHNSON	2000/03/01	MOLEX INCORPORATED																						
APPROVED BY	DATE																							
MISEN	2000/03/01	<table border="1"> <thead> <tr> <th>MATERIAL NO.</th> <th>DOCUMENT NO.</th> <th>SHEET NO.</th> </tr> </thead> <tbody> <tr> <td>SEE SHEET 1</td> <td>SD-73415-155</td> <td>2 OF 2</td> </tr> </tbody> </table>	MATERIAL NO.	DOCUMENT NO.	SHEET NO.	SEE SHEET 1	SD-73415-155	2 OF 2																
MATERIAL NO.	DOCUMENT NO.	SHEET NO.																						
SEE SHEET 1	SD-73415-155	2 OF 2																						