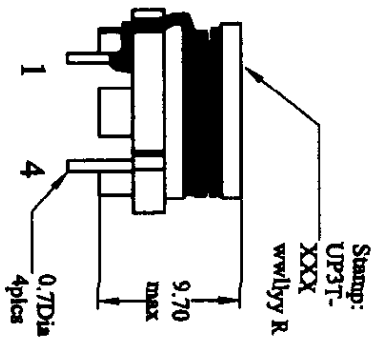
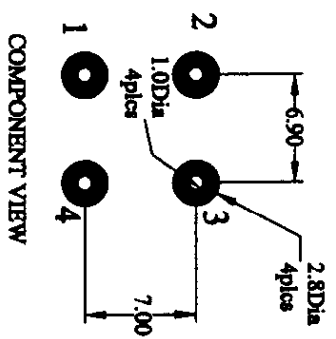


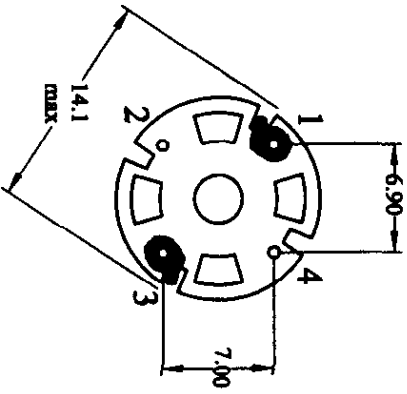
### FRONT VIEW



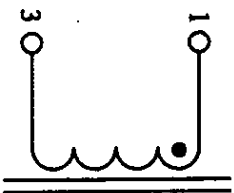
### RECOMMENDED PCB LAYOUT



### BOTTOM VIEW



### SCHEMATIC



#### Notes:

- 1) All Dimensions are in millimeters unless otherwise specified.
- 2) Tolerances are +/- .2 unless stated otherwise.
- 3) PCB tolerances are +/- 0.1 unless stated otherwise.
- 4) Stamp: Line 1; product code (UP3T), Line 2; (inductance value per family chart) Line 3; wwllyy (Date Code) R (Revision Level)
- 5) Location of date code is optional.

**MASTER**

Cooper Electronic Technologies

6000 Park of Commerce Blvd, Boca Raton, FL 33487

Unipac 3T Thru Hole Product Line

9.7mm max height

Family table

Size	Drawing Number:	UP3T Inductor Line
A	Revision Level:	B Sheet 3 of 21

# CUSTOMER INFORMATION

## UniPac3T (UP3T) Family Table

Part Number	Rated Inductance ( $\mu$ H)	OCL nominal $\pm$ 20% ( $\mu$ H)	I <sub>rms</sub> Amperes for approximately a $\Delta$ T of 40°C. @ an ambient temperature of 85°C	I <sub>sat</sub> Amperes Peak for approximately 30% rolloff.	DCR ( $\Omega$ ) max. @ 20°C.
UP3T-R47	.470	0.452	16.0	25.1	.0026
UP3T-1R0	1.0	1.34	12.5	15.3	.0037
UP3T-1R5	1.5	2.08	10.0	12.0	.0060
UP3T-2R2	2.2	3.01	9.2	10.2	.0081
UP3T-3R3	3.3	3.96	8.0	9.3	.0090
UP3T-4R7	4.7	5.00	6.5	7.7	.0134
UP3T-6R8	6.8	7.70	5.8	6.2	.0189
UP3T-100	10.0	11.00	4.3	5.2	.0286
UP3T-150	15.0	16.38	3.9	4.3	.0350
UP3T-220	22.0	23.93	3.1	3.7	.0525
UP3T-330	33.0	33.85	2.4	3.0	.0720
UP3T-470	47.0	51.00	1.9	2.4	.1117
UP3T-680	68.0	69.50	1.6	2.0	.1558
UP3T-101	100.0	101.4	1.4	1.8	.2053
UP3T-151	150.0	153.1	1.1	1.4	.2998
UP3T-221	253.0	222.8	0.98	1.2	.3987
UP3T-331	380.0	332.8	0.74	0.98	.7133

OCL (Open Circuit Inductance)  
Test parameters: 100KHz,  
0.25 Vrms, 0.0 Adc

**Part number definition:**  
 First 4 characters = Product code and size.  
 Last 3 characters = Inductance in  $\mu$ H. R=decimal point.  
 If no R is present third character = # of zeros.

# MASTER

**Cooper Electronic Technologies**  
 6000 Park of Commerce Blvd, Boca Raton, FL 33487

UnitPac3T (UP3T) Thru Hole Inductor Line  
 9.7 mm max height  
 FAMILY TABLE

SIZE A Drawing Number: UP3T Inductor Line  
 Revision Level: B Sheet 4 of 21