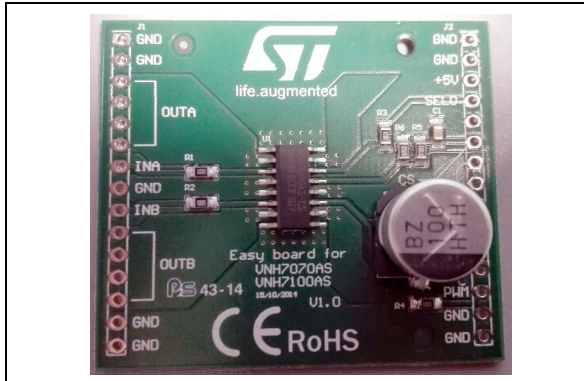


## VNH7100BAS Evaluation Board

Data brief



### Features

Max transient supply voltage	$V_{CC}$	41 V
Operating voltage range	$V_{CC}$	4 to 28 V
Typ. on-state resistance (per Ch)	$R_{ON}$	100 m $\Omega$
Current limitation (typ)	$I_{LIMH}$	15 A
Stand-by current (max)	$I_{STBY}$	1 $\mu$ A

- Simple single IC application board dedicated for VNH7100BAS
- Provides electrical connectivity and thermal heat-sinking for easy prototyping

### Description

EV-VNH7100BAS provides you an easy way to connect STMicroelectronics® VIPower® M0-7 H-Bridge drivers into your existing prototype circuitry. This evaluation board comes preassembled with VNH7100BAS H-Bridge. On board minimum set of electrical components (as for device datasheet recommendation) enables the user to directly connect the load, the power supply and the microcontroller without any

additional effort in external component design and connection.

VNH7100BAS is a full bridge motor driver intended for a wide range of automotive applications. The device incorporates a dual monolithic high-side driver and two low-side switches. Both switches are designed using ST proprietary VIPower M0 technology that allows to efficiently integrate on the same die a true Power MOSFET with intelligent signal/protection circuitry. The three dies are assembled in a SO-16N package on electrically isolated leadframes.

Moreover, its fully symmetrical mechanical design allows superior manufacturability at board level.

The input signals INA and INB can directly interface the microcontroller to select the motor direction and the brake condition. A SEL0 pin is available to address the information available on the MultiSense to the microcontroller. The MultiSense pin allows to monitor the motor current by delivering a current proportional to the motor current value.

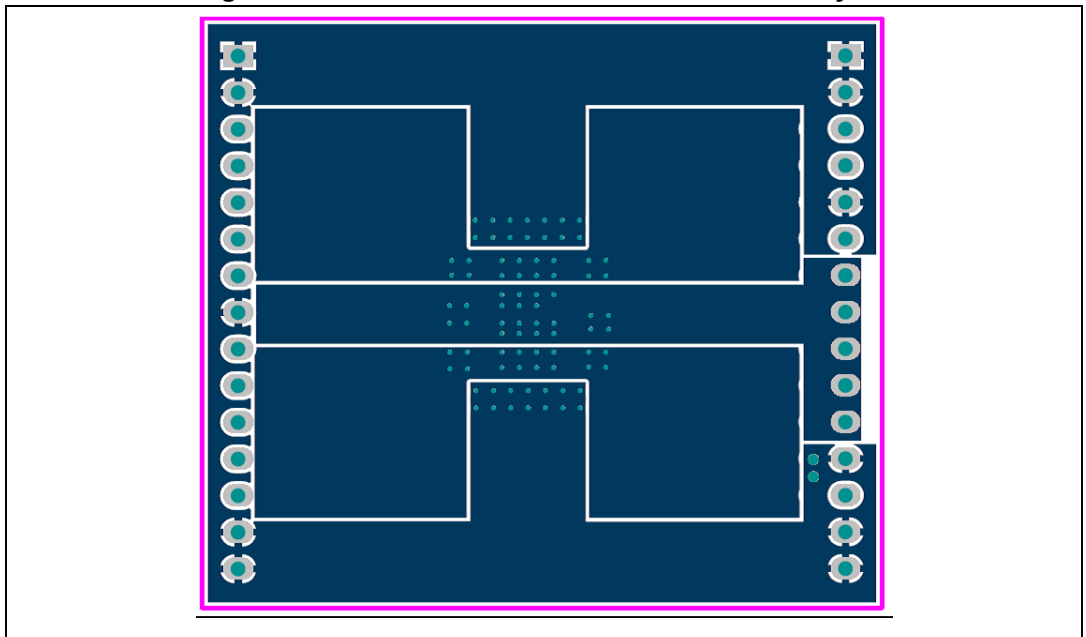
The PWM, up to 20 kHz, allows to control the speed of the motor in all possible conditions.

**Table 1. Device summary**

Order Code	Reference
EV-VNH7100BAS	VNH7100BAS Evaluation Board



Figure 3. VNH7100BAS evaluation board bottom layout



## 2 Board connections

Table 2. Pin connection and function

Connector	Board lead number	Device pin function
J1	1, 2	GND
J1	3, 4, 5, 6	OUTA
J1	7	INA
J1	8	GND
J1	9	INA
J1	10, 11, 12, 13	OUTB
J1	14, 15	GND
J2	1, 2	GND
J2	4	SEL0
J2	5	GND
J2	6	CS
J2	7, 8, 9, 10, 11	VCC
J2	12	GND
J2	13	PWM
J2	14, 15	GND

Table 3. BOM

Component	Value
C1	33 nF
C2	220 $\mu$ F 35V
R1, R2,R3, R4	1 k Ohm
R5	10 K Ohm
R6	1.5 k Ohm

### 3 Thermal data

**Table 4. EV-VNH7100BAS thermal data**

Symbol	Parameter	Max	Unit
Rthj-amb	Thermal resistance junction-ambient HSD (MAX)	55	°C/W
Rthj-amb	Thermal resistance junction-ambient HSD (MAX)	75	°C/W

**Table 5. PCB specifications**

Parameter	Value	Unit
Board dimensions	47 x 41	mm
Number of Cu layer	2	-
Layer Cu thickness	35	µm
Board finish thickness	1.6 +/- 10%	mm
Board Material	FR4	-
Thermal vias separation	1.1 mm	
Thermal vias diameter	0.5 mm	

## 4 Revision history

Table 6. Document revision history

Date	Revision	Changes
13-Sep-2017	1	Initial release.
04-Oct-2017	2	Typo error.

**IMPORTANT NOTICE – PLEASE READ CAREFULLY**

STMicroelectronics NV and its subsidiaries ("ST") reserve the right to make changes, corrections, enhancements, modifications, and improvements to ST products and/or to this document at any time without notice. Purchasers should obtain the latest relevant information on ST products before placing orders. ST products are sold pursuant to ST's terms and conditions of sale in place at the time of order acknowledgement.

Purchasers are solely responsible for the choice, selection, and use of ST products and ST assumes no liability for application assistance or the design of Purchasers' products.

No license, express or implied, to any intellectual property right is granted by ST herein.

Resale of ST products with provisions different from the information set forth herein shall void any warranty granted by ST for such product.

ST and the ST logo are trademarks of ST. All other product or service names are the property of their respective owners.

Information in this document supersedes and replaces information previously supplied in any prior versions of this document.

© 2017 STMicroelectronics – All rights reserved