

THIS DRAWING IS UNPUBLISHED. RELEASED FOR PUBLICATION
 © COPYRIGHT BY TYCO ELECTRONICS CORPORATION. ALL RIGHTS RESERVED.

Loc		DIST		REVISIONS			
P	LTR	DESCRIPTION		DATE	DWN	APVD	
B		ECO 06 000585		10AUG06	BSV	MZ	

SPECIFICATIONS:

MATERIALS:

CASE: HIGH TEMPERATURE POLYESTER.
 ACTUATOR BUTTON: POLYAMIDE, COLORS: SEE CHART BELOW
 MOVING CONTACT: COPPER ALLOY, GOLD OVER NICKEL PLATE
 FIXED CONTACT/TERMINAL: COPPER ALLOY, TIN/LEAD PLATE
 HEX. NUT: STEEL
 FLAT WASHER: STEEL
 TERMINAL SEAL: OPTIONAL.

ELECTRICAL:

CONTACT RATING: 0.4 VA MAX. @ 20 VDC OR PEAK AC.
 INITIAL CONTACT RESISTANCE: 20 MILLIOHMS MAX.
 INSULATION RESISTANCE: 1000 MEGOHMS @ 500 VDC MIN.
 DIELECTRIC STRENGTH: 1000 VOLTS RMS @ SEA LEVEL
 LIFE EXPECTANCY: 80,000 CYCLES

MECHANICAL:

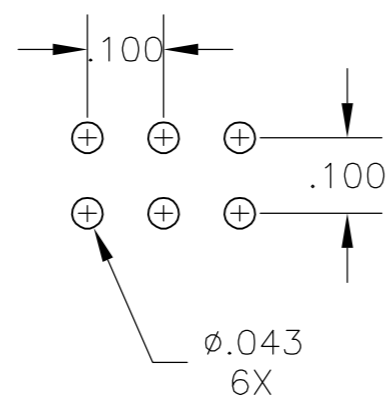
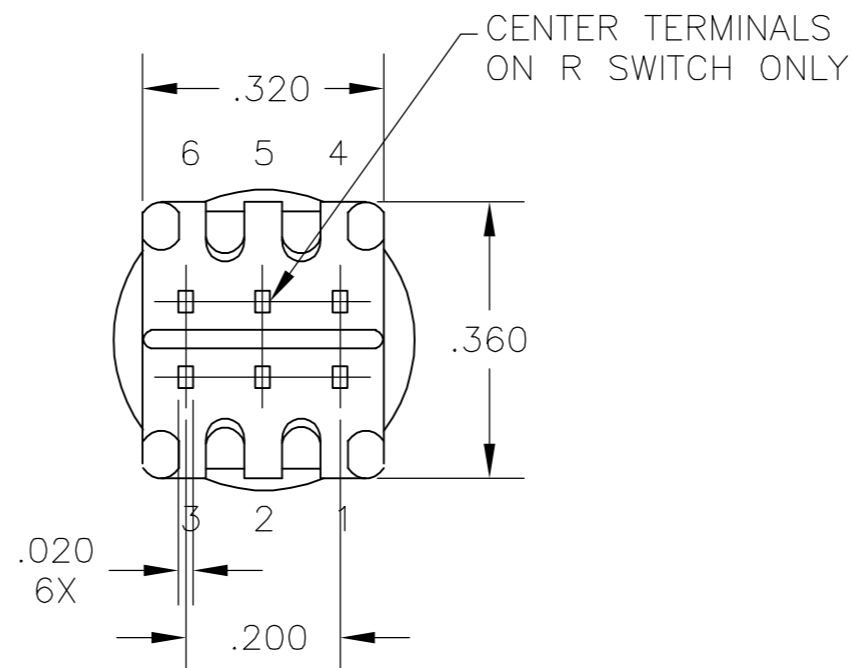
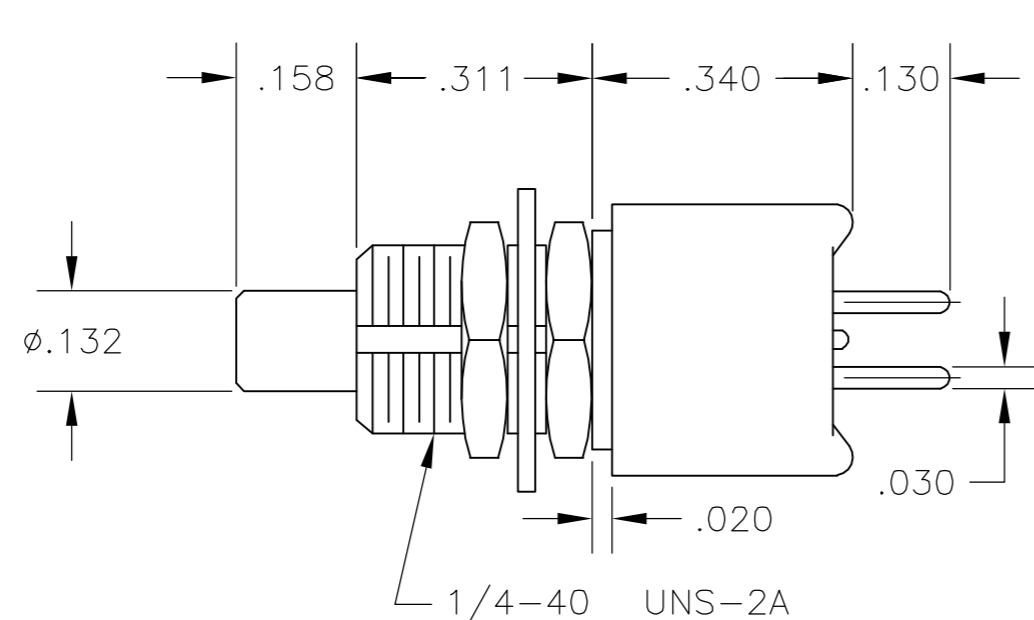
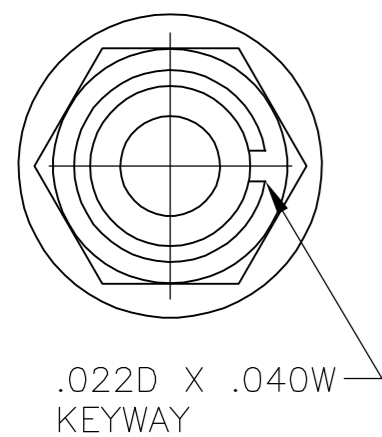
ACTUATION FORCE: 50 TO 400 GRAMS
 ACTUATION TRAVEL: .030"

ENVIRONMENTAL:

OPERATING TEMPERATURE: -22°F TO +149°F (-30°C TO +65°C)
 STORAGE TEMPERATURE: -22°F TO +149°F (-30°C TO +65°C)

NOTES:

1. INTERPRET DRAWING PER ASME Y14.5M-1982



RECOMMENDED HOLE LAYOUT
 TOLERANCE ±.002 UNLESS OTHERWISE NOTED

(*)	ACTUATOR BUTTON COLOR
(0)	BLACK
(2)	RED
(6)	BLUE

AUGAT D/N 40303

5-6,2-3 (MOM)	4-5,1-2	DPDT MOMENTARY	TPF21R-PC
4-6,1-3	NONE	DPST NORMALLY OPEN	TPF21M-PC
DEPRESSED BUTTON	FREE BUTTON	ACTION	MODEL NO.
CONTACTS			

THIS DRAWING IS A CONTROLLED DOCUMENT.		DWN	020CT96	tyco Electronics		Tyco Electronics Corporation Harrisburg, Pa 17105-3608	
DIMENSIONS: INCHES		CHK	-			NAME	
TOLERANCES UNLESS OTHERWISE SPECIFIED:		APVD	-	PRODUCT SPEC		SUBMINATURE PUSH BUTTON SWITCH PC 1/4-40 BUSHING-TPF21*GPC(*)	
0 PLC ± -		APVD	-	APPLICATION SPEC		SIZE	CAGE CODE
1 PLC ± -		APVD	-	FINISH		DRAWING NO	RESTRICTED TO
2 PLC ± -		APVD	-	MATERIAL		SCALE	SHEET
3 PLC ± .010		APVD	-	SEE SPECIFICATIONS		4:1	1 OF 1
4 PLC ± -		APVD	-	SEE SPECIFICATIONS		8-1437572-7	REV
ANGLES ± -		APVD	-	CUSTOMER DRAWING		B	

8-1437572-7