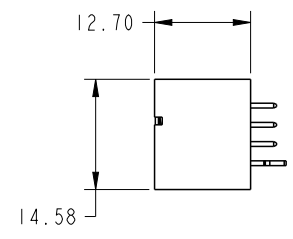
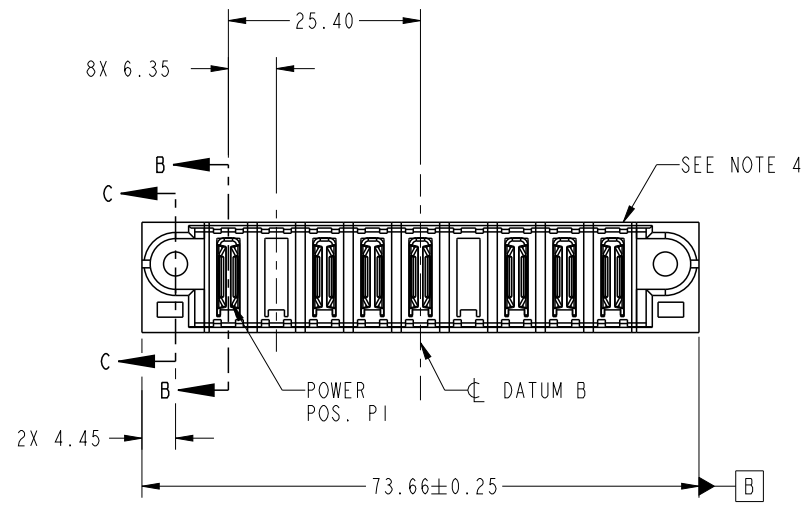
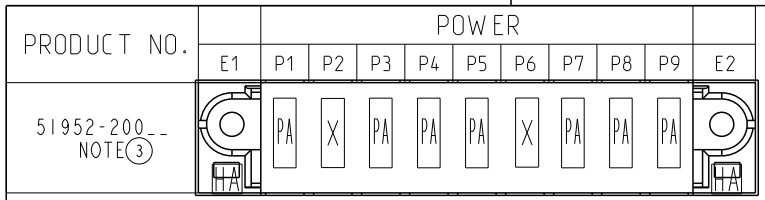




Copyright FCI.



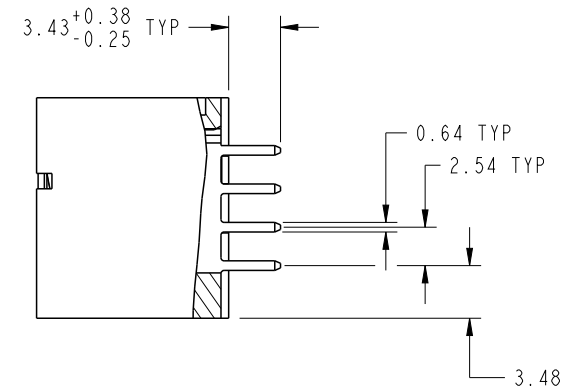
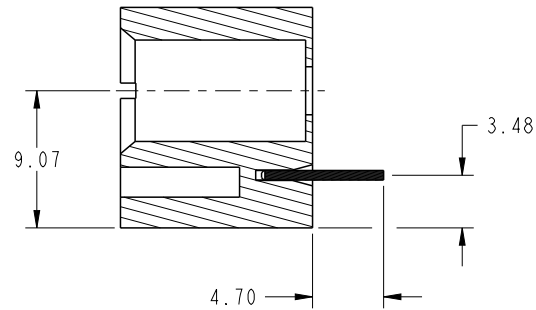
CODE	DIM "M" MATING LENGTH	CONTACT TYPE
PA	[N/A]	POWER
HA	[N/A]	HOLD-DOWN

spec ref	SEE NOTES			dr	Guang, Shi	2011/10/23	projection 	MM ←→	size	A4	scale	1:1
tolerance std	TOLERANCES UNLESS OTHERWISE SPECIFIED			eng	Guang, Shi	2012/02/23			ecn no	-		
SEE NOTES				chr	-	-			rel level	Released		
surface ✓	linear	0.X	±0.50	FCI	title	9P	product family	PwrBlade	dwg no	51952-200	rev	A
		0.XX	±0.25									
		0.XXX	±0.10									
angular	0°	±2°	www.fci.com	cat. no.	Product - Customer Drw			sheet 1 of 4				

PreE File - REV C - 2009-06-09

PRODUCT NUMBER

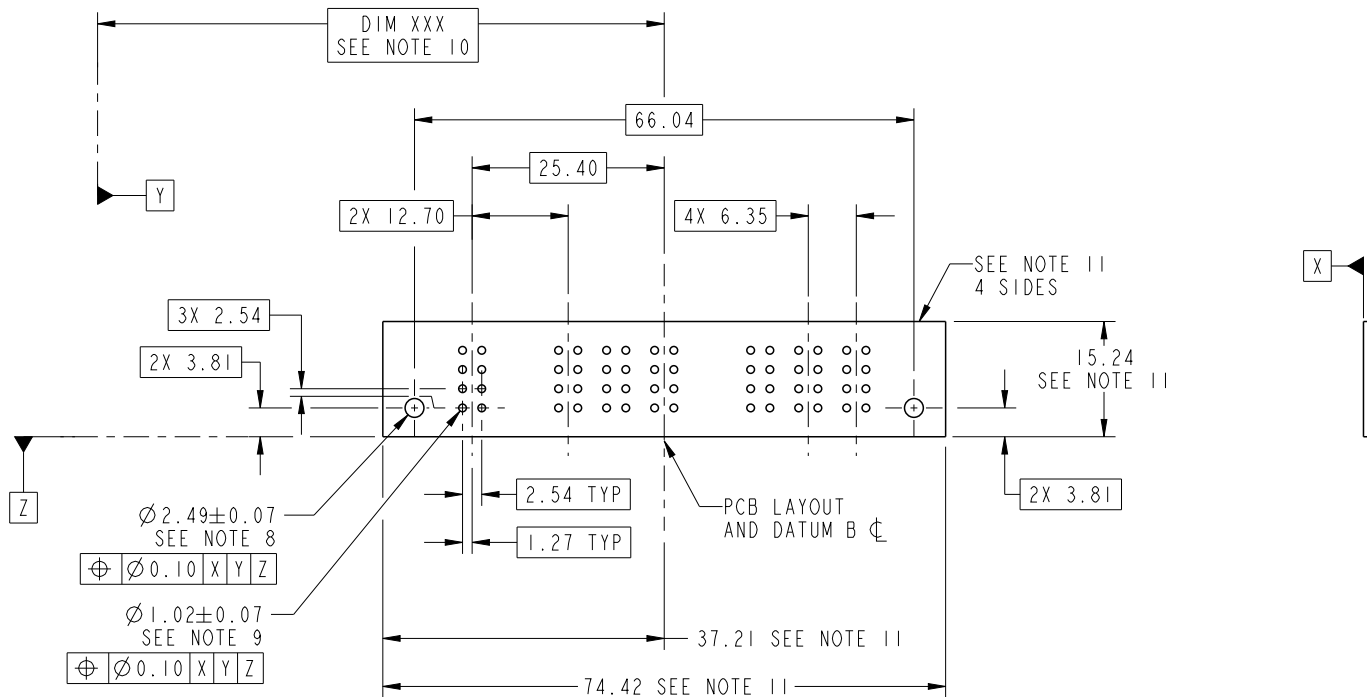
51952-200--
NOTE 3



dr	Guang, Shi	2011/10/23	projection 	MM ←→	size	A4	scale	1:1		
eng	Guang, Shi	2012/02/23			ecn no	-				
chr	-	-			product family	PwrBlade	rel level	Released		
appr	Pei-Ming Zheng	2012/02/23			title	9P VERTICAL STB HEADER	dwg no	51952-200	rev	A
www.fci.com		cat. no.	Product - Customer Drw			sheet 2 of 4				

PRODUCT NUMBER

51952-200--
NOTE 3



RECOMMENDED PCB LAYOUT

dr	Guang, Shi	2011/10/23	projection 	MM 	size	A4	scale	1:1
eng	Guang, Shi	2012/02/23			ecn no	-		
chr	-	-			rel level	Released		
appr	Pei-Ming Zheng	2012/02/23	product family	PwrBlade	rev	A		
	title	9P VERTICAL STB HEADER	dwg no	51952-200	www.fci.com	cat. no.	Product - Customer Drw	sheet 3 of 4

PRODUCT NUMBER

51952-200__
NOTE 3

NOTES:

1. DIMENSIONS AND TOLERANCES ARE IN ACCORDANCE WITH ASME Y14.5M, 1994 UNLESS OTHERWISE SPECIFIED.

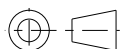


CONNECTOR NOTES:

- ② HOUSING MATERIAL: UL 94 V-0 GLASS FILLED HIGH-TEMP THERMOPLASTIC
POWER CONTACT MATERIAL: COPPER ALLOY
SIGNAL PIN MATERIAL: COPPER ALLOY
 - 3. SEE ITEM 1 & 2 IN PRINT 10064183 FOR PLATING SPEC OF 51952-200 AND 51952-200LF RESPECTIVELY.
 - ④ MANUFACTURER'S NAME, DATE CODE AND OPTIONAL P/N TO APPEAR ON THIS SURFACE. THE P/N CAN BE OMITTED IF THERE IS NOT ENOUGH SPACE ON THIS SURFACE.
 - 5. PRODUCT SPECIFICATION GS-12-149.
APPLICATION SPECIFICATION BUS-20-067.
 - 6. PACKAGED IN TRAYS.
- PCB NOTES:
- 7. ALL HOLE DIAMETERS ARE FINISHED HOLE SIZE.
 - 8. MOUNTING HOLES, WHERE APPLICABLE, ARE UNPLATED.

⑨ $\varnothing 1.151 \pm 0.025$ DRILLED HOLES PLATED WITH 0.008 MIN SnPb OR Sn OVER .001 [0.03] TO 0.08 Cu PLATING TO ACHIEVE $\varnothing 1.02 \pm 0.07$ HOLE.

⑩ "DIM XXX" TO BE DETERMINED BY THE CUSTOMER.

⑪ CONNECTOR KEEP-OUT ZONE.

dr	Guang, Shi	2011/10/23	projection 	MM 	size	A4	scale	1:1
eng	Guang, Shi	2012/02/23			ecn no	-		
chr	-	-			product family	PwrBlade	rel level	Released
appr	Pei-Ming Zheng	2012/02/23			title 9P VERTICAL STB HEADER	dwg no 51952-200	rev A	
www.fci.com		cat. no.	Product - Customer Drw			sheet 4 of 4		



Copyright FCI.