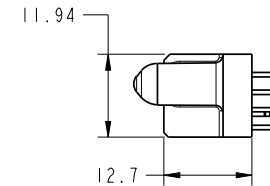
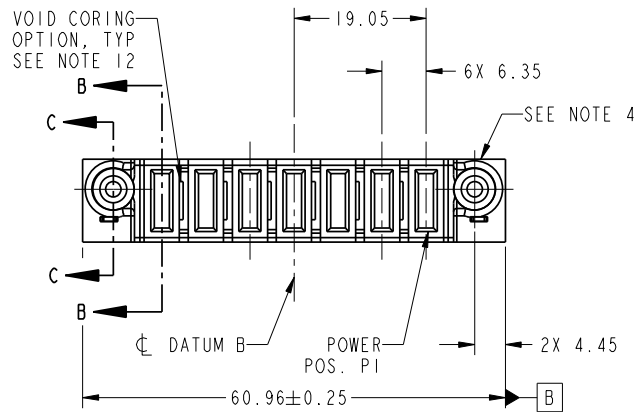


Tous droits strictement réservés. Reproduction ou communication o des liens interdite sous quelque forme que ce soit sans autorisation écrite du propriétaire. Propriete de c FCI. Droits de reproduction FCI.



All rights strictly reserved. Reproduction or issue to third parties in any form whatever is not permitted without written authority from the proprietor. Property of FCI. Copyright FCI.

PRODUCT NO.	POWER								E1
	E2	P7	P6	P5	P4	P3	P2	P1	
51753-005-- NOTE: 3		PD	PD	PD	X	PD	PD	PD	



CODE	DIM "M" MATING LENGTH	CONTACT TYPE
PD	[2.34]	POWER
HA	[N/A]	HOLD-DOWN
X	OMITTED	

mat'l code				SEE NOTES		tolerances unless otherwise specified		CUSTOMER		FCI www.fciconnect.com	
lfr	ecn no.	dr	date	linear	0.X ±0.5	projection		COPY			
A	DG08-0119	JC	05/20/08	angles	0.XX ±0.25			title			
				dr	0.XXX ±0.1	MM		7P VERTICAL SOLDER RECEPT			
				engr	0° ±2°	scale		product family		code	
				chr	Jerome Chen 05/07/08	1:1		PwrBlade		213	
				appd	Jerome Chen 05/07/08			size		sheet	
sheet index	revision sheet	A	A	A	A			A		1 of 4	
		1	2	3	4			51753-005			

Pro/E

cage code 22526

PDM: Rev:A

STATUS: Released

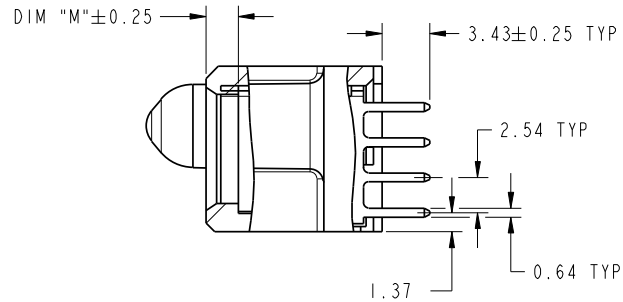
Printed: Dec 20, 2010

Tous droits strictement réservés. Reproduction ou communication o des liens interdite sous quelque forme que ce soit sans autorisation écrite du propriétaire. Propriete de c FCI. Droits de reproduction FCI.

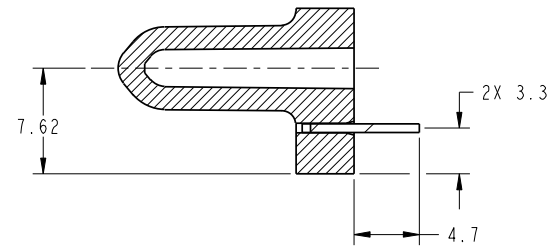


All rights strictly reserved. Reproduction or issue to third parties in any form whatever is not permitted without written authority from the proprietor. Property of FCI. Copyright FCI.

PRODUCT NUMBER
51753-005...
NOTE: 3



SECTION B-B
SCALE 2:1



SECTION C-C
SCALE 2:1

mat'l code				tolerances unless otherwise specified		CUSTOMER		FCI		www.fciconnect.com	
ltr	ecn no.	dr	date	linear	0.X ±0.5	COPY		projection		title	
A					0.XX ±0.25	MM		A		7P VERTICAL SOLDER RECEIPT	
				angles	0.XXX ±0.1	1:1		product family		PwrBlade	
				dr	0° ±2°			size		dwg no	
				engr	Jerome Chen 05/07/08			A		51753-005	
				chr	Jerome Chen 05/07/08			scale		213	
				appd	Gary Hsieh 05/07/08			sheet		2 of 4	
					Joseph Hsia 05/07/08			cage code		22526	
sheet index	revision sheet										

Pro/E

cage code 22526

PDM: Rev:A

STATUS: Released

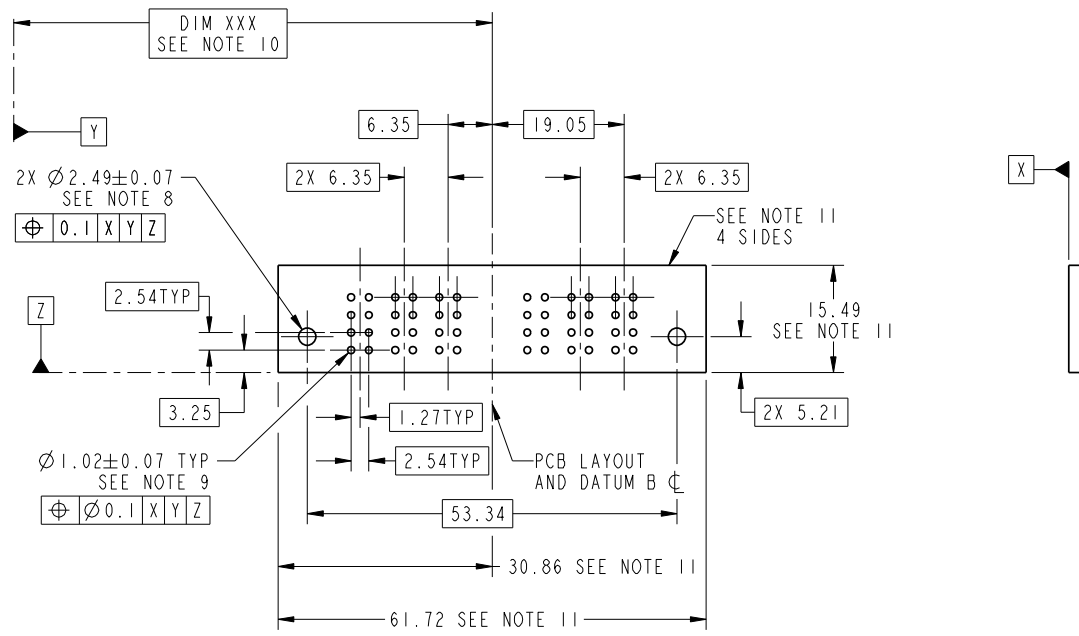
Printed: Dec 20, 2010

Tous droits strictement réservés. Reproduction ou communication o des liens interdite sous quelque forme que ce soit sans autorisation écrite du propriétaire. Propriete de c FCI. Droits de reproduction FCI.



All rights strictly reserved. Reproduction or issue to third parties in any form whatever is not permitted without written authority from the proprietor. Property of FCI. Copyright FCI.

PRODUCT NUMBER
51753-005...
NOTE: 3



RECOMMENDED PCB LAYOUT

mat'l code				tolerances unless otherwise specified		CUSTOMER		FCI		www.fciconnect.com	
lfr	ecn no.	dr	date	linear	0.X ± 0.5	COPY		projection		title	
A					0.XX ± 0.25			MM		7P VERTICAL SOLDER RECEIPT	
				angles	0.XXX ± 0.1			MM		product family PwrBlade code	
				dr	0° ± 2°			scale		size dwg no	
				engr				1:1		A 51753-005 213	
				chr						sheet	
				appd						3 of 4	
sheet index	revision sheet										

cage code 22526

Pro/E

PDM: Rev:A

STATUS: Released

Printed: Dec 20, 2010

Tous droits strictement réservés. Reproduction ou communication o des liens interdite sous quelque forme que ce soit sans autorisation écrite du propriétaire. Propriete de c FCI. Droits de reproduction FCI.



All rights strictly reserved. Reproduction or issue to third parties in any form whatever is not permitted without written authority from the proprietor. Property of FCI. Copyright FCI.

PRODUCT NUMBER
51753-005..
NOTE: 3

NOTES:

1. DIMENSIONS AND TOLERANCES ARE IN ACCORDANCE WITH ASME Y14.5M, 1994 UNLESS OTHERWISE SPECIFIED.

CONNECTOR NOTES:

- 2 HOUSING MATERIAL: UL 94 V-0 GLASS FILLED HIGH-TEMP THERMOPLASTIC
POWER CONTACT MATERIAL: COPPER ALLOY
SIGNAL PIN MATERIAL: COPPER ALLOY
- 3. PLATING SPEC.
51753-005, 51753-005LF PLATING SPEC. WAS SHOWN IN THE PRINT OF 10064183.
- 4 MANUFACTURER'S NAME, P/N, AND DATE CODE TO APPEAR ON THIS SURFACE.
- 5. PRODUCT SPECIFICATION GS-12-149.
APPLICATION SPECIFICATION BUS-20-067.
- 6. PACKAGED IN TRAYS.

PCB NOTES:

- 7. ALL HOLE DIAMETERS ARE FINISHED HOLE SIZE.
- 8 MOUNTING HOLES, WHERE APPLICABLE, ARE UNPLATED.
- 9 $\varnothing 1.151 \pm 0.025$ DRILLED HOLES PLATED WITH 0.008 MIN SnPb OR Sn OVER 0.03 TO 0.08 Cu PLATING TO ACHIEVE $\varnothing 1.02 \pm 0.07$ HOLE.
- 10 "DIM XXX" TO BE DETERMINED BY THE CUSTOMER.
- 11 CONNECTOR KEEP-OUT ZONE.
- 12. THE VOID CORING IN BETWEEN POWER MODULES, SIGNAL MODULES AND END MODULES ARE OPTIONAL AND THE SHAPE MAY BE DIFFERENT FOR OPTIMIZE THE MOLDING PROCESS. THE VOID CORING WILL NOT EFFECT TO PRODUCT FUNCTION.

mat'l code				tolerances unless otherwise specified		CUSTOMER		FCI		www.fciconnect.com	
ltr	ecn no.	dr	date	linear	0.X ± 0.5	COPY		projection		title	
A					0.XX ± 0.25					7P VERTICAL SOLDER RECEPT	
				angles	0.XXX ± 0.1					product family PwrBlade code	
				dr	0° ± 2°			size		213	
				engr	Jerome Chen 05/07/08	scale		A		sheet	
				chr	Jerome Chen 05/07/08	1:1		51753-005		4 of 4	
				appd	Gary Hsieh 05/07/08						
					Joseph Hsia 05/07/08						
sheet index	revision sheet										

Pro/E

cage code 22526

PDM: Rev:A

STATUS: Released

Printed: Dec 20, 2010