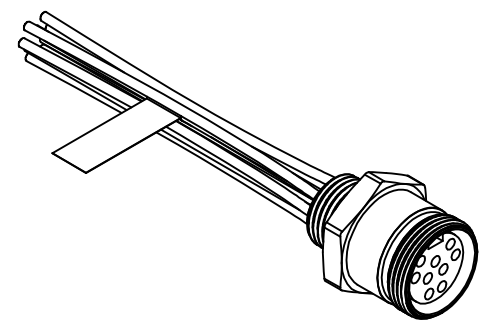
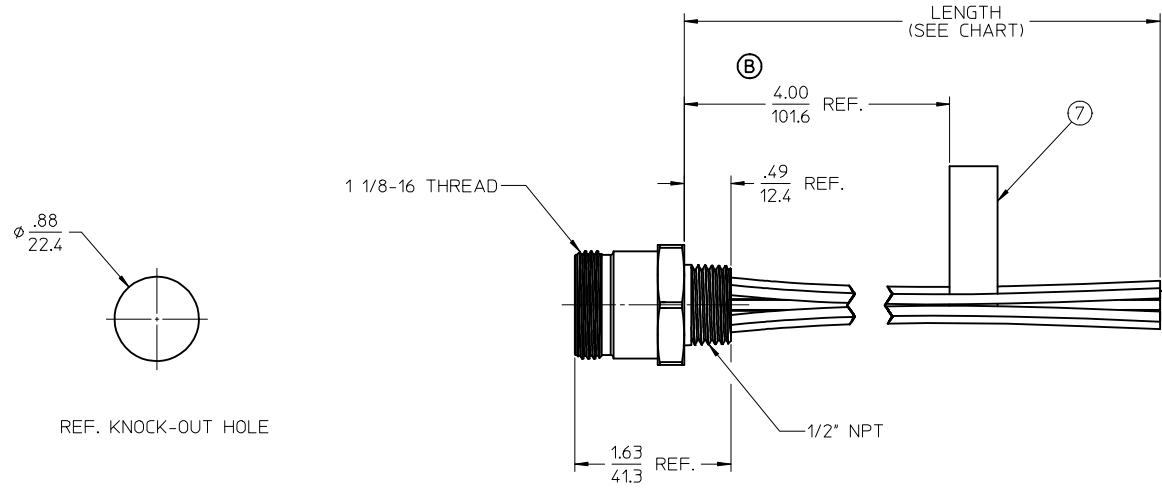
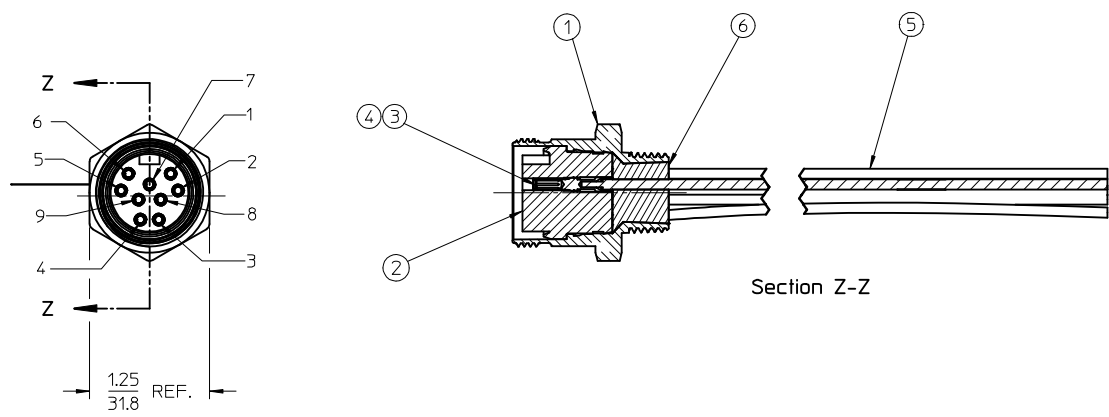


| MATERIAL NO. | ENGINEERING NO. | LENGTH |
|--------------|-----------------|------------------------------|
| 1300150117 | 3R9004A20A120 | 12' +.75-0 [305mm +19.0-0] |
| 1300150121 | 3R9004A20F030 | 3'0" +1.75-0 [.9M +44.5-0] |
| 1300150124 | 3R9004A20F060 | 6'0" +2.19-0 [1.8M +55.6-0] |



- NOTES:
1. MATERIAL: SEE TABLE
 2. FINISHES: SEE TABLE
 3. MATES WITH: NONE
 4. ELECTRICAL SPECIFICATIONS:
VOLTAGE RATING: 600V AC/DC
CURRENT RATING: 7 AMPS
 5. RoHS COMPLIANT



| | |
|---|--------------|
| 1 | ORANGE |
| 2 | BLUE |
| 3 | RED-BLACK |
| 4 | GREEN-BLACK |
| 5 | WHITE |
| 6 | RED |
| 7 | GREEN-YELLOW |
| 8 | WHITE-BLACK |
| 9 | BLACK |

WIRING DIAGRAM

| ITEM | QTY. | DESCRIPTION | MATERIAL | FINISH |
|------|------|------------------------|---------------|------------------|
| 7 | 1 | LABEL | PLASTIC FILM | BLACK/YELLOW |
| 6 | 1 | POTTING | EPOXY | |
| 5 | 9 | WIRE, 16 AWG (UL 1015) | PVC INSULATED | SEE WIRE DIAGRAM |
| 4 | 9 | SOCKET SLEEVE | ST. STEEL | |
| 3 | 9 | CONTACT SOCKET | BRASS | GOLD PLATED |
| 2 | 1 | INSERT | PVC | YELLOW |
| 1 | 1 | RECEPTACLE SHELL | ZINC ALLOY | E-COAT, BLACK |

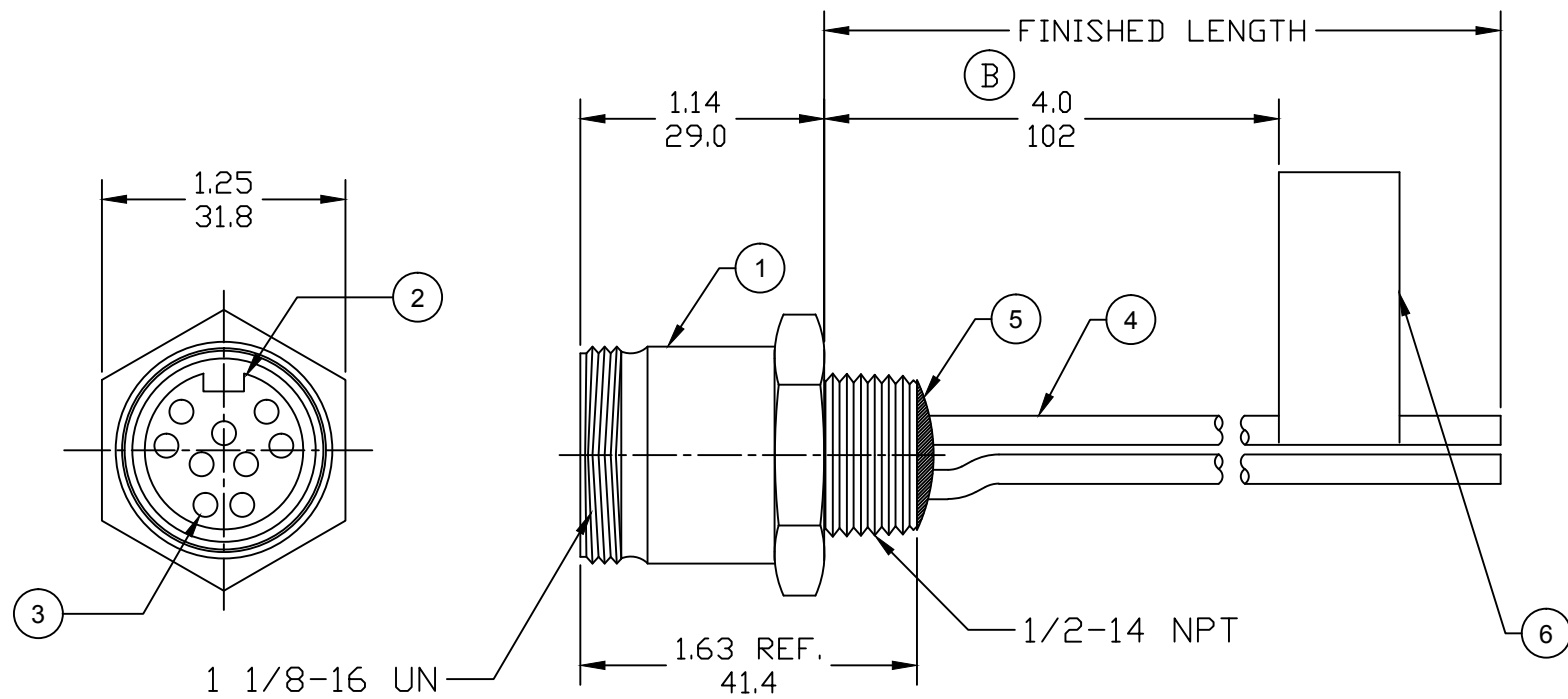
| | | | |
|----------|---------------------|-----------------|------------|
| WAS 3.00 | EC NO: MNA2010-0101 | DRWNR:STONE | 2009/08/17 |
| | CHKD: B. WOODMAN | APPR: J. MURPHY | 2009/08/21 |
| REV | DESCRIPTION | | |

| QUALITY SYMBOLS | GENERAL TOLERANCES (UNLESS SPECIFIED) | |
|-----------------|--|--------|
| | mm | INCH |
| ▽=0 | 4 PLACES ± .005 | ± .005 |
| ▽=0 | 3 PLACES ± .005 | ± .005 |
| | 2 PLACES ± .005 | ± .01 |
| | 1 PLACE ± 0.3 | ± .005 |
| | ANGULAR ± 1/2° | |
| | DRAFT WHERE APPLICABLE MUST REMAIN WITHIN DIMENSIONS | |

| DIMENSION STYLE | | SCALE | DESIGN UNITS | THIRD ANGLE PROJECTION |
|-----------------|---|--|--------------|------------------------|
| IN/MM | | 1:1 | INCH | |
| DRAWN BY | DATE | TITLE | | |
| R. STONE | 2009/03/26 | MC RECEPTACLE, FEMALE 9 POLE, 1/2" NPT | | |
| CHECKED BY | DATE | MATERIAL NO. | | |
| B. WOODMAN | 2009/03/27 | SEE CHART | | |
| APPROVED BY | DATE | DOCUMENT NO. | | |
| J. MURPHY | 2009/03/31 | SD-130015-002 | | |
| SIZE | THIS DRAWING CONTAINS INFORMATION THAT IS PROPRIETARY TO MOLEX INCORPORATED AND SHOULD NOT BE USED WITHOUT WRITTEN PERMISSION | | | |

| | | | | |
|--------------|--|---------------|--|-----------|
| MATERIAL NO. | | DOCUMENT NO. | | SHEET NO. |
| SEE CHART | | SD-130015-002 | | 1 OF 1 |

| FACE VIEW-FEMALE INSERT | | |
|--|---|--|
| | | |
| 1 ORANGE 2 BLUE 3 RED/BLACK 4 GREEN/BLACK 5 WHITE 6 RED 7 GREEN/YELLOW 8 WHITE/BLACK 9 BLACK | 1 ORANGE 2 BLUE 3 WHITE/BLACK 4 RED/BLACK 5 GREEN/BLACK 6 ORANGE/BLACK 7 RED 8 GREEN/YELLOW 9 BLACK 10 WHITE | 1 ORANGE 2 BLUE 3 WHITE/BLACK 4 RED/BLACK 5 GREEN/BLACK 6 ORANGE/BLACK 7 BLUE/BLACK 8 BLACK/WHITE 9 GREEN/YELLOW 10 RED 11 WHITE 12 BLACK |



- NOTES:**
- MATERIAL:** AS NOTED
 - FINISH:** AS NOTED
 - ELECTRICAL:**
 VOLTAGE: 250V PER IEC60664
 600V PER UL2238
 CURRENT: 9 POLE: 7A
 10 POLE: 7A
 12 POLE: 5A
 - TEMP RATING:** -20°TO +105°C
 - PROTECTION:** IP67 (WHEN MATED)
 - DIMS ARE FOR REFERENCE UNLESS OTHERWISE NOTED**

PART NUMBER LEGEND

3R1004A20F0101

POLES: 9= 9 POLES, 1=10 POLES, 2=12 POLES

COUPLING: BLANK= STD (SEE BOM), 1= 303 STAINLESS ST.

LENGTH: A120= 12 INCHES, F001= .1 FT, F020= 2 FT, F200= 20 FT

M005= 0.5 METER, M010= 1 METER, M100= 10 METER

| ITEM | DESCRIPTION | MATERIAL | FINISH |
|------|------------------------|----------------|--------------|
| 6 | FLAG LABEL | VINYL | BLACK/YELLOW |
| 5 | POTTING MATERIAL | EPOXY | |
| 4 | WIRE, 16 AWG UL (1015) | PVC INSULATION | SEE CHART |
| 3 | CONTACT SOCKET | COPPER ALLOY | GOLD PLATED |
| 2 | FEMALE INSERT (C-SIZE) | PVC | YELLOW |
| 1 | RECEPTACLE SHELL | ZINC DIE-CAST | BLACK |

| | | | | | | |
|--|--|---|---|---|--------------------------------------|----------------------------|
| REVD NOTES 3 & 6, PIN LEGEND EC NO: IPG2017-0578 DRWN: RSTONE 12/8/16 CHKD: K COX 2016/12/15 APPR: BWOODMAN 2016/08/19 | QUALITY SYMBOLS ▽=0 ▽=0 | GENERAL TOLERANCES (UNLESS SPECIFIED) 4 PLACES ±--- ±--- 3 PLACES ±--- ±--- 2 PLACES ±--- ±--- 1 PLACE ±--- ±--- ANGULAR ±2° | DIMENSION STYLE IN/MM | SCALE --- INCH | DESIGN UNITS INCH | THIRD ANGLE PROJECTION |
| | DRAFT WHERE APPLICABLE MUST REMAIN WITHIN DIMENSIONS | | DRAWN BY DATE RSTONE 2016/07/11 | TITLE MINI-CHANGE RECEPTACLE 9, 10 & 12 POLE, FEMALE 16 AWG | | |
| | | | CHECKED BY DATE K COX 2016/12/15 | MOLEX INCORPORATED | | |
| | | | APPROVED BY DATE TWOLDEGE 2016/08/19 | MATERIAL NO. - | DOCUMENT NO. SD-130015-026 | SHEET NO. 1 OF 1 |

THIS DRAWING CONTAINS INFORMATION THAT IS PROPRIETARY TO MOLEX INCORPORATED AND SHOULD NOT BE USED WITHOUT WRITTEN PERMISSION