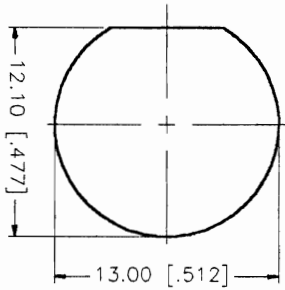
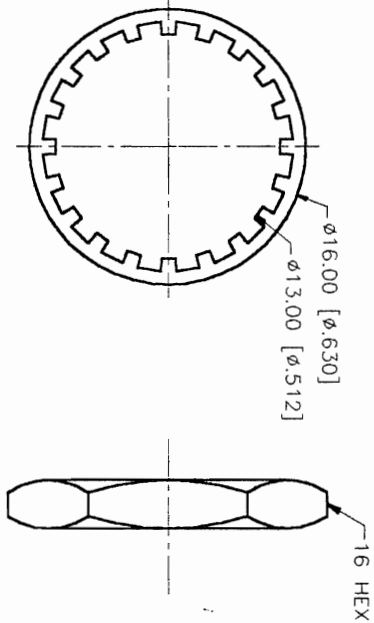
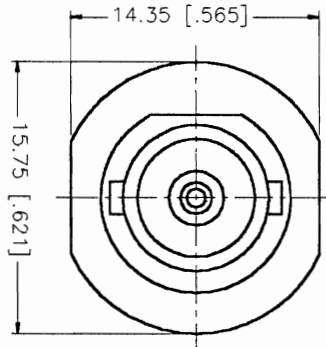
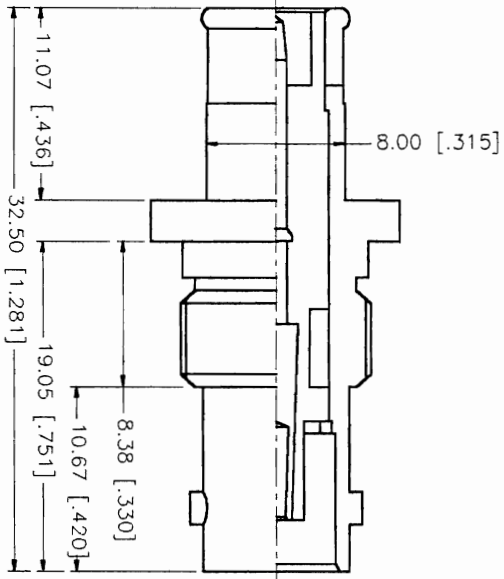


REV.	DATE	DESCRIPTION
B	10/22/98	ADD HEX NUT AND MOUNTING HOLE DIMS.



RECOMMENDED
MOUNTING HOLE

DESCRIPTION	MATERIAL	FINISH	UNLESS OTHERWISE SPECIFIED DIMENSIONS ARE IN MILLIMETERS DIMENSIONS IN [] ARE IN INCHES FOR CUSTOMER REFERENCE ONLY	APPROVALS	DATE	TITLE
1 BODY	BRASS	NICKEL		DRAWN G.R.S.	10/22/98	comnex Connector Corporation BNC FEMALE TO MALE PUSH ON ADAPTOR 75ohms SCALE NA PART NO. 112532 DWG. NO. 112532.DWG SIZE FSCM NO. 99001 A 112532.DWG REV. B
2 INSULATOR	TEFLON	NATURAL		CHECKED		
3 CONTACT PIN	PHOS. BRONZE	GOLD		ISSUED		
4 NOTE: GOLD PLATING AT 50u MIN.						
5 HEX NUT	BRASS	NICKEL				
6						
7						
8						

UNLESS OTHERWISE SPECIFIED DIMENSIONS ARE IN MILLIMETERS DIMENSIONS IN [] ARE IN INCHES FOR CUSTOMER REFERENCE ONLY

UNLESS OTHERWISE SPECIFIED TOLERANCES FOR MILLIMETERS ARE:
0.5-6 = ± 0.2
6-30 = ± 0.4
30-120 = ± 0.6
120-315 = ± 1
315-1000 = ± 1.6
1000-2000 = ± 2.4

DO NOT SCALE DRAWING

SCALE NA PART NO. 112532 SHEET 1 OF 1