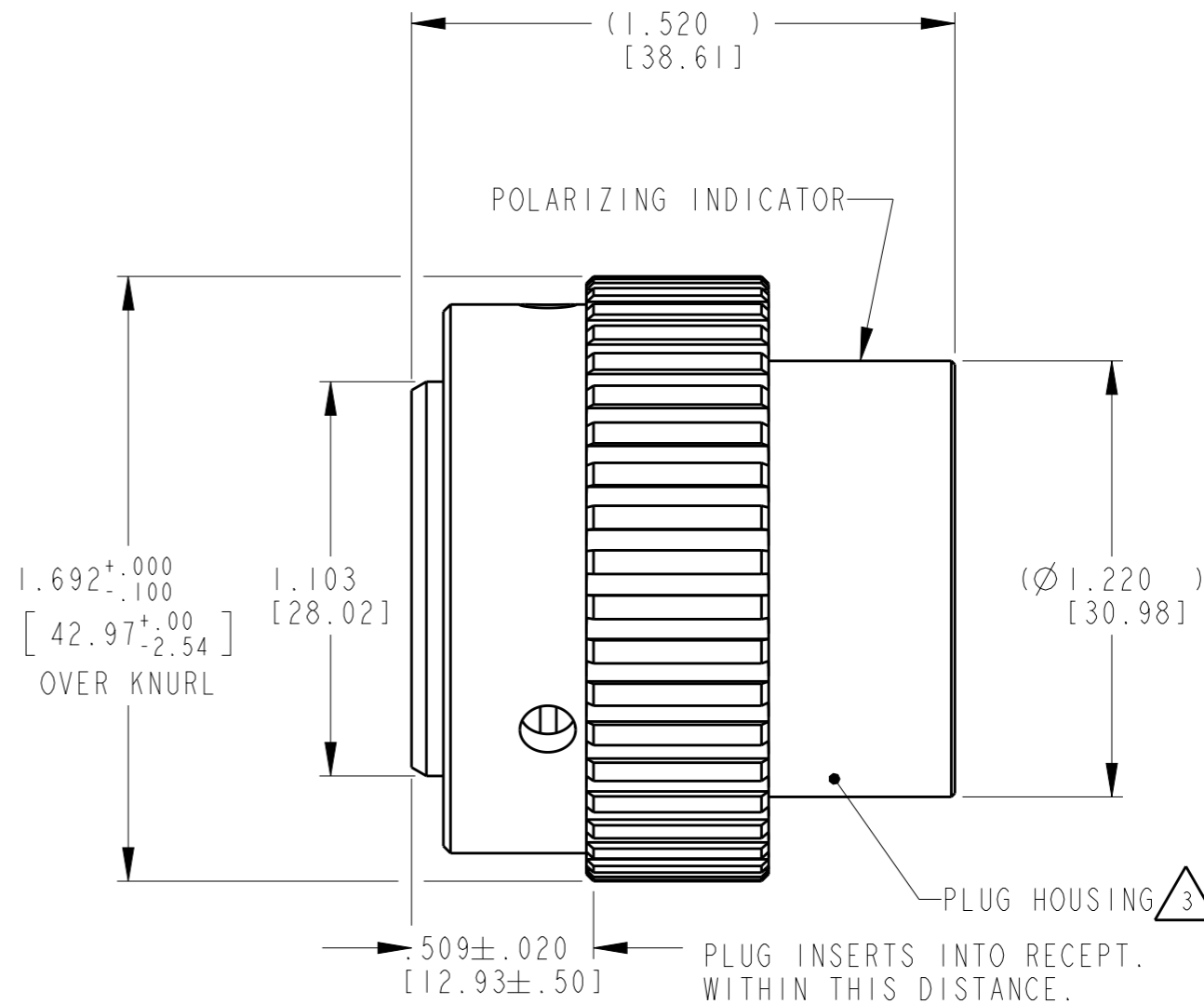
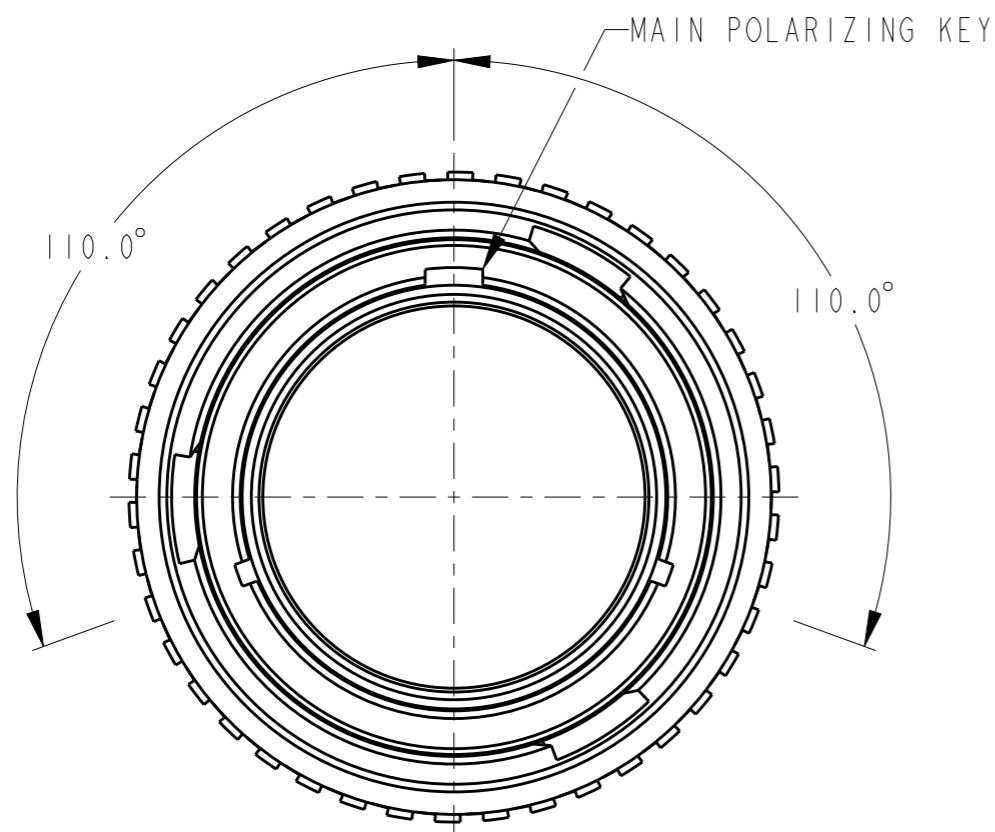


THIS DRAWING IS UNPUBLISHED  
 RELEASED FOR PUBLICATION 2015  
 © COPYRIGHT 2015 BY - TE CONNECTIVITY ALL RIGHTS RESERVED.

LOC	DIST	REVISIONS			
P	LTR	DESCRIPTION	DATE	DWN	APVD
-	-	NC	NEW RELEASE PER E.O. A14915	04DEC1995	- RDR
-	-	A	REVISED PER ECO-15-001798	19MAR2015	VNB DM



3. MATERIAL:  
 PLUG HOUSING: AL 6000 SERIES

2. FOR ARRANGEMENT OF CONTACT LOCATION SEE ENVELOPE DRAWING 0425-013-1800.

1. CONSULT THE FACTORY FOR ELECTRICAL AND MATERIAL SPECIFICATIONS.

NOTES:

THIS DRAWING IS A CONTROLLED DOCUMENT.		DWN V. TOMSA 09NOV1995				
DIMENSIONS: INCHES [mm]		CHK V. TOMSA 09NOV1995				
TOLERANCES UNLESS OTHERWISE SPECIFIED:		APVD R. REED 04DEC1995	NAME PLUG CONNECTOR SHELL SIZE 18. BAYONET COUPLING. HD30 SERIES			
0 PLC ±-		PRODUCT SPEC 0425-016-0000	SIZE A3	CAGE CODE -	DRAWING NO. © HD36-18-XXP/SX	RESTRICTED TO -
1 PLC ±-		APPLICATION SPEC 0425-015-0000	SCALE NONE SHEET 1 OF 1 REV A			
2 PLC ±-		WEIGHT -	Customer Drawing			
3 PLC ±.010 [±.254]						
4 PLC ±-						
ANGLES ±° 30' 0"						
FINISH -						
MATERIAL SEE NOTE						