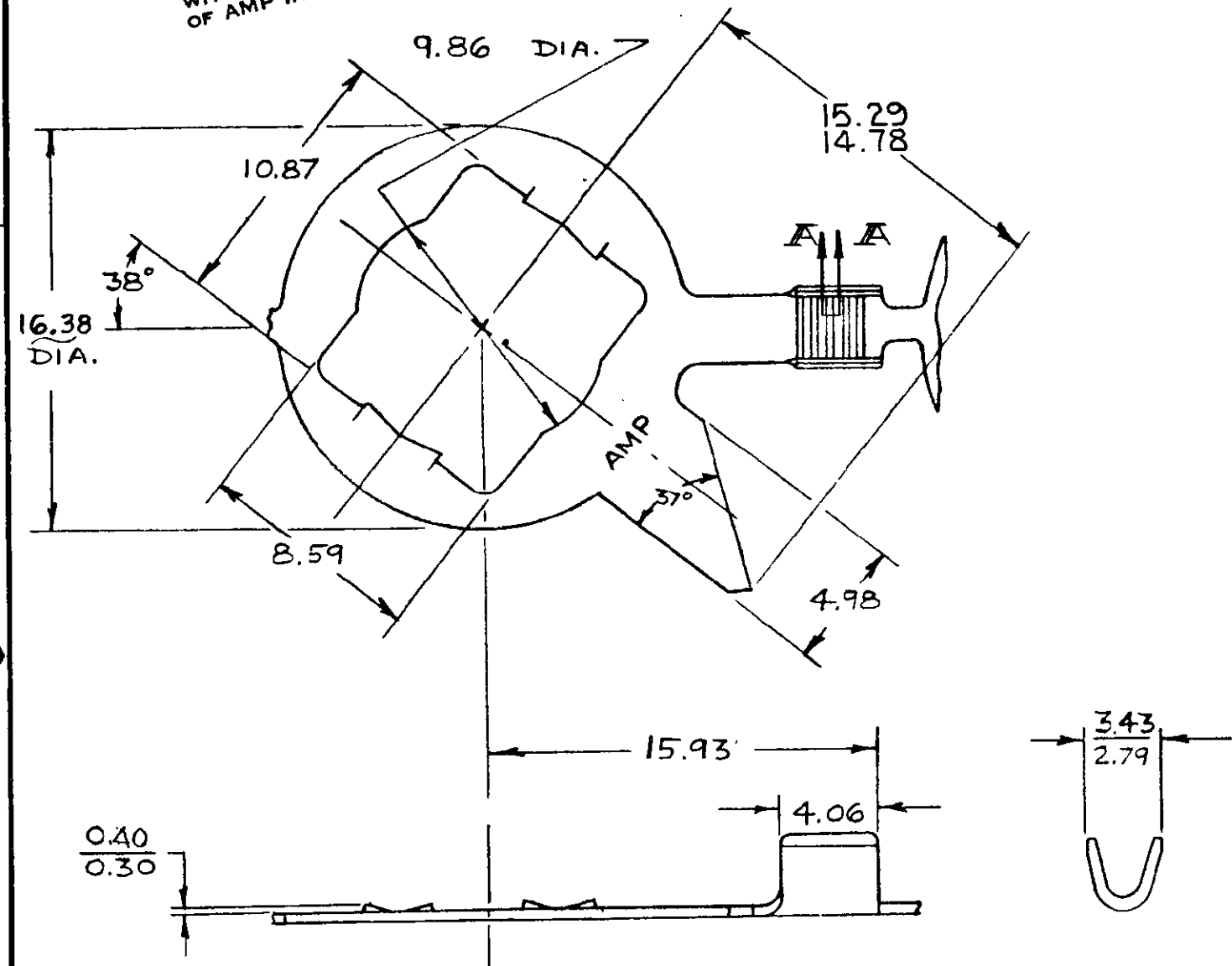


© COPYRIGHT 1977 BY AMP INCORPORATED, HARRISBURG, PA.
 ALL INTERNATIONAL RIGHTS RESERVED. AMP INCORPORATED PRODUCTS
 COVERED BY U. S. AND FOREIGN PATENTS AND/OR PATENTS PENDING.
 UNPUBLISHED NOR REPRODUCED OR REPRODUCED IN ANY MANNER
 WITHOUT WRITTEN PERMISSION OF AMP INCORPORATED.

REVISIONS						
P	F	ZONE	LTR	DESCRIPTION	DATE	APPROVED
✓			F	REV PER ECN CM 85	1/24/85	TB/RS
✓			F1	RESTORATION	2/23/85	10/SJ
✓			G	OBSOLETE -2 PER ECN CM 473	2-18-86	CM/RS
✓			H	REVISED PER CM-2457	7-31-89	MC RS
✓			J	REV PER 0710-0427-95	26/SEP/95	PWF



METRIC

NONE		20-16 AWG MAGNET	505072-1
FINISH		WIRE RANGE	PART NO
UNLESS OTHERWISE SPECIFIED DIMENSIONS ARE IN INCHES mm		AMP INCORPORATED Harrisburg, Pa.	
CONTRACT NO DR 10-13-77 D.A. SALTZER CHK D.S. Heide 10/20/77 APPD [Signature] 10/24/77		NAME TERMINAL, STUD RETAINING RING, AMPLIVAR	
MATERIAL 0.50 BRASS		SIZE B	CODE IDENT NO 00779
FINISH SEE TABLE		DRAWING NO 505072	
OTHER APPD		SCALE 4:1	SHEET #