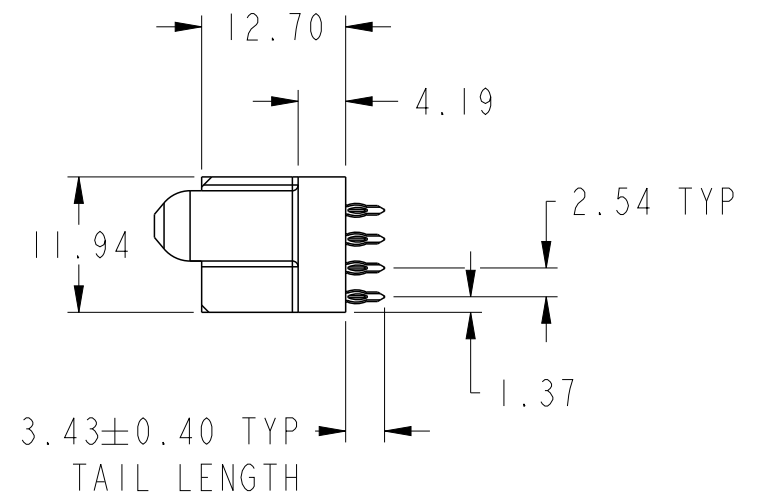
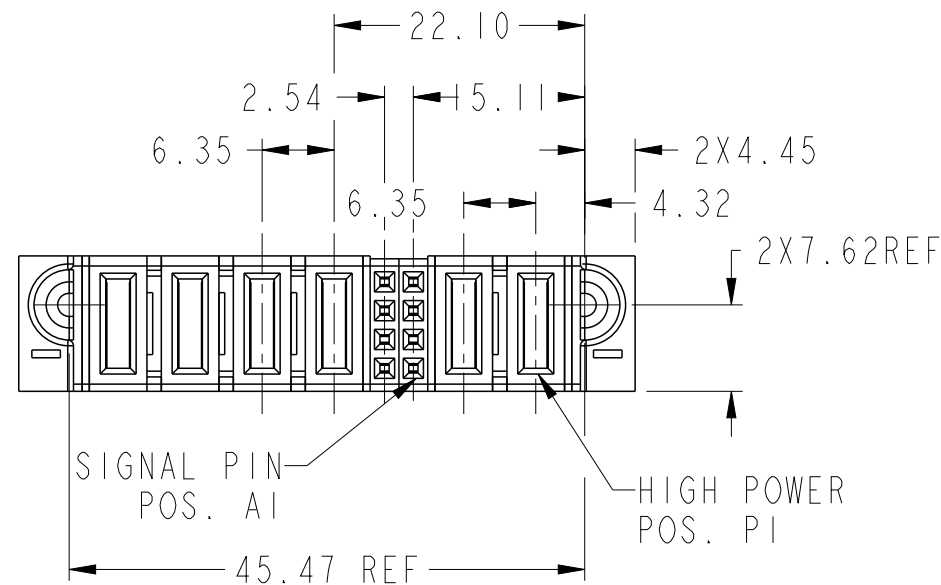
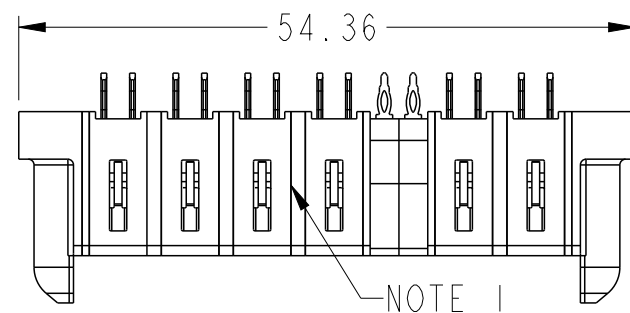
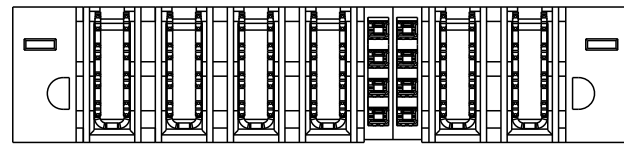


PRODUCT NUMBER SEE SHEET 2



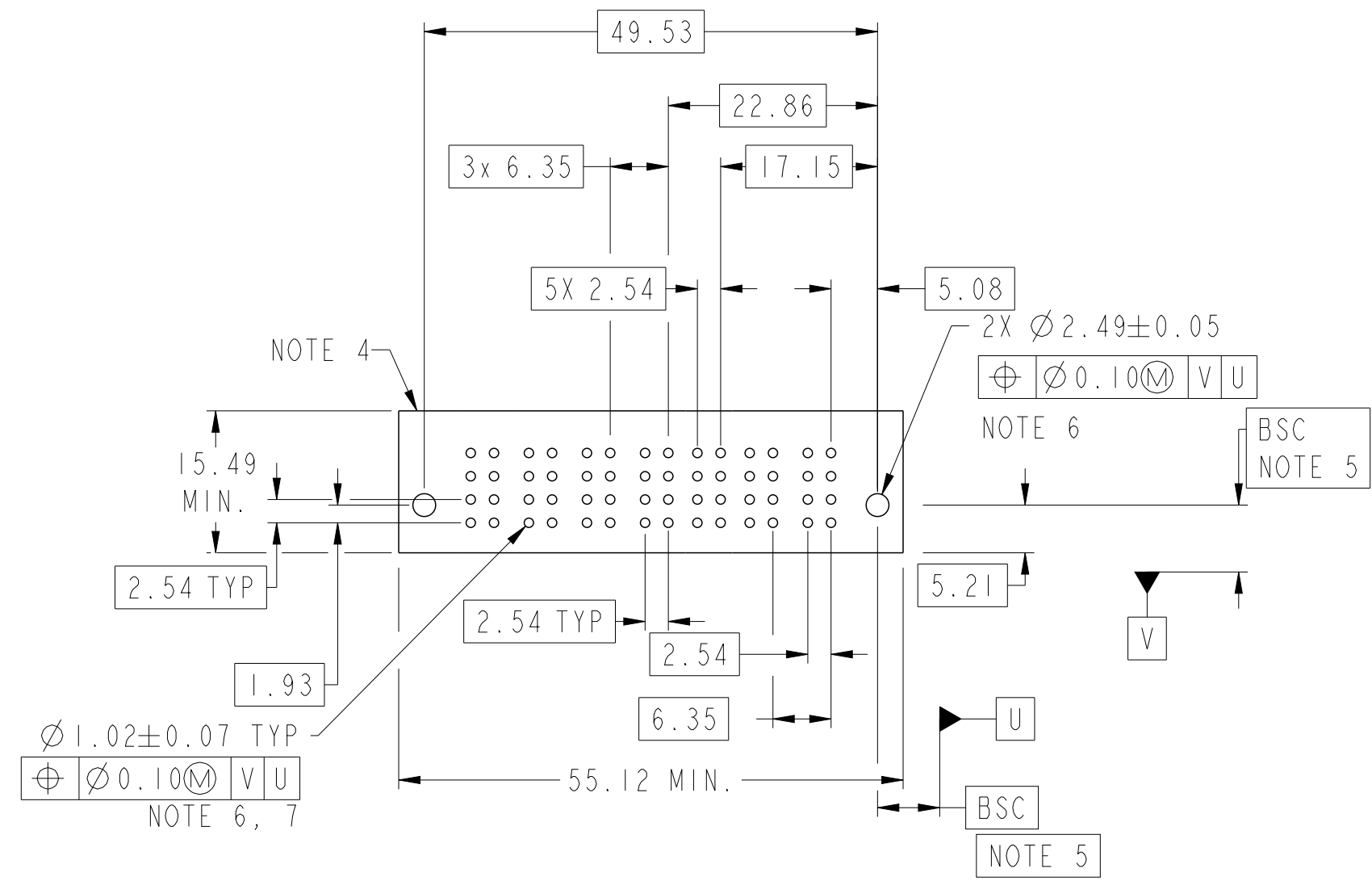
spec ref		dr	Xie Bob	2013/12/17	projection	MM	size	A3	scale	3:2
tolerance std ASME Y14.5		TOLERANCES UNLESS OTHERWISE SPECIFIED			eng	Xie Bob	2013/12/27	ecn no		
		chr	Li-He	2013/12/25	product family		PowerBlade+	rel level		
		appr	Pei-Ming Zheng	2013/12/27				Released		
surface	linear	0.X	±0.50		www.fci.com	cat. no.	Product - Customer Drw	sheet 1 of 3	rev	A
		0.XX	±0.25							
		0.XXX	±0.10							
ASME Y14.5	angular	0°	±2°							



Copyright FCI.

PRODUCT NO.	ROWS	HP				S		HP		E1	E2
		P6	P5	P4	P3	2	1	P2	P1		
10106131-6002001LF	DCBA	HG	HG	HG	HG	FF	FF	HG	HG		

CODE	DESCRIPTION
F	STD SIGNAL CONTACT
HG	STD HIGH POWER CONTACT (3.43)



dr	Xie Bob	2013/12/17	projection	MM	size	A3	scale	3:2
eng	Xie Bob	2013/12/27			ecn no		-	
chr	Li-He	2013/12/25			rel level		Released	
appr	Pei-Ming Zheng	2013/12/27	product family	PowerBlade+				
		2HP+8S+4HP			dwg no		10106131-6002001	
		VT PF RECEPTACLE			rev		A	
cat. no.		Product - Customer Drw			sheet 2 of 3			

Copyright FCI.

A

A

NOTES:

- 1) "FCI", PART NUMBER AND DATE CODE TO BE MARKED ON THIS SURFACE.
THE MARK CAN BE OMITTED IF THERE IS NOT ENOUGH SPACE ON THIS SURFACE.
- 2) MATERIALS:
-HOUSING - GLASS FILLED WITH HIGH TEMP THERMOPLASTIC, UL94V-0.
-SIGNAL CONTACT - COPPER ALLOY.
-POWER CONTACT - HIGH CONDUCTIVITY COPPER ALLOY.
- 3) PLATING SPECIFICATION REFER TO FCI 10116351
- 4) DENOTES CONNECTOR KEEP OUT ZONE.
- 5) DATUM AND BASIC DIMENIONS WERE ESTABLISHED BY CUSTOMER.
- 6) ALL HOLE DIAMETERS ARE FINISHED HOLE SIZES.
- 7) 1.15 ± 0.025MM DRILLED HOLE PLATED WITH 0.00762MM MIN Sn
OVER 0.0254-0.0762MM Cu PLATING TO ACHIEVE A 1.02 ± 0.07MM HOLE.
- 8) PRODUCT SPECIFICATION REFER TO FCI GS-12-658.
APPLICATION SPECIFICATION REFER TO FCI GS-20-141.
PRODUCT PACKAGED IN TRAYS, REFER TO FCI GS-14-1502.
- 9) THE VOID CORING IN BETWEEN POWER MODULES, SIGNAL
MODULES AND END MODULES ARE OPTIONAL AND THE SHAPE
MAY BE DIFFERENT FOR OPTIMIZE THE MOLDING PROCESS. THE
VOID CORING WILL NOT EFFECT TO PRODUCT FUNCTION.

B

B

C

C

D

D



Copyright FCI.

dr	Xie Bob	2013/12/17	projection 	MM ←→	size	A3	scale	1:1	
eng	Xie Bob	2013/12/27			ecn no	-			
chr	Li-He	2013/12/25			rel level	Released			
appr	Pei-Ming Zheng	2013/12/27	product family	PowerBlade+					
		2HP+8S+4HP			dwg no	10106131-6002001		rev	A
www.fci.com		cat. no.	Product - Customer Drw		sheet 3 of 3				