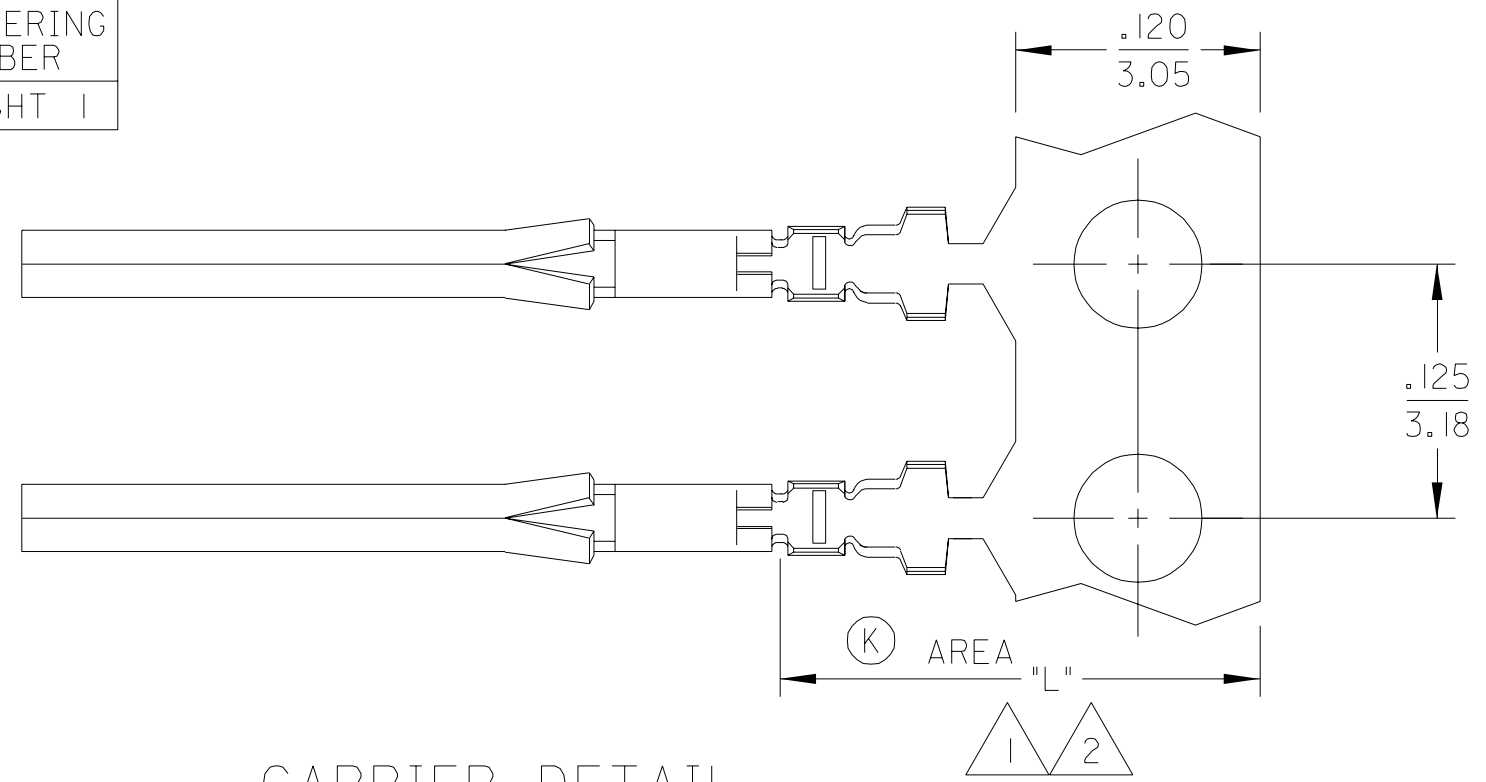
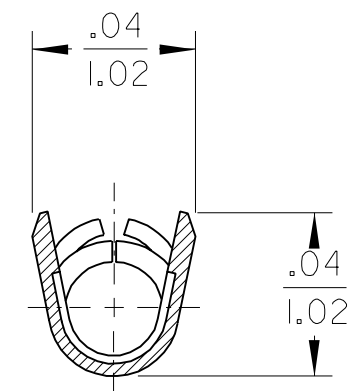
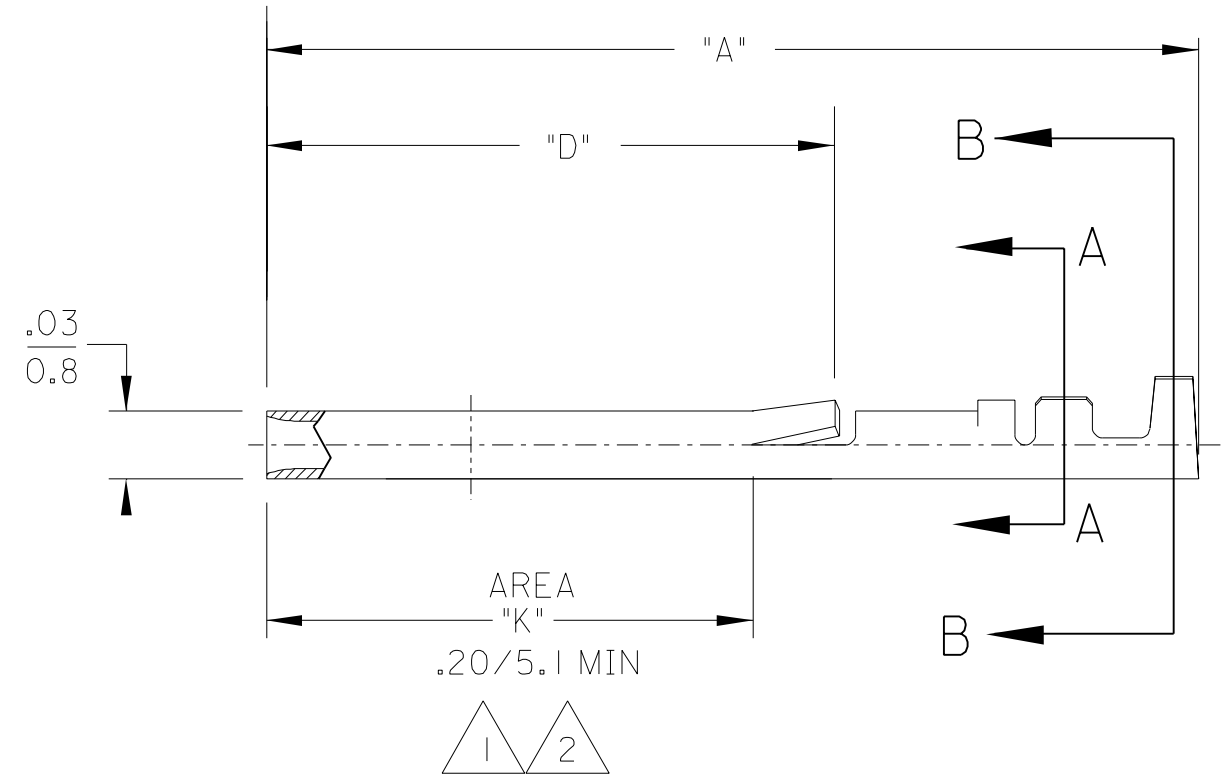


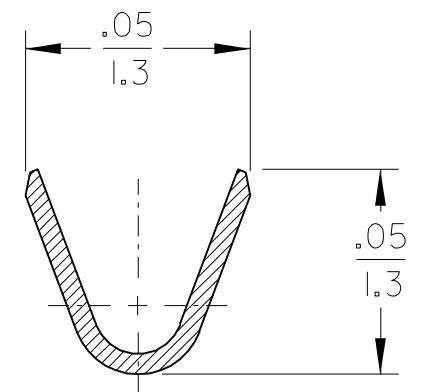
MATERIAL NUMBER	ENGINEERING NUMBER
SEE SHT 1	SEE SHT 1



CARRIER DETAIL



SECTION A-A
SCALE: NONE



SECTION B-B
SCALE: NONE

SALES DRAWING

ETC2003-0182 EC NO. ETC2003-0190 DRWN: BRE 03/01/30 CHK: HEB/JAL 03/01/30 APPR: RWD 03/01/30	QUALITY SYMBOLS
	MAJOR $\nabla=0$ CRITICAL $\nabla C=0$
K	REV

GENERAL TOLERANCES: (UNLESS SPECIFIED)	
mm	INCH
4 PLACES $\pm 0.$	$\pm .$
3 PLACES $\pm 0.$	$\pm .005$
2 PLACES ± 0.13	$\pm .010$
1 PLACE ± 0.3	$\pm .$
ANGULAR: $\pm 1/2^\circ$	
DRAFT WHERE APPLICABLE MUST REMAIN WITHIN DIMENSIONS	

SCALE NO: NE	DESIGN UNITS <input type="checkbox"/> mm <input checked="" type="checkbox"/> INCH
DRAWN BY & DATE BRE 02/01/22	
CHECKED BY & DATE HEB 02/01/22	
APPROVED BY & DATE RWD 02/01/22	
CAD FILENAME SD83000002.DGN	MATERIAL NO. SEE CHART

DIMENSIONS: <input type="checkbox"/> mm <input checked="" type="checkbox"/> INCH <input type="checkbox"/> mm ONLY	
THIRD ANGLE PROJECTION	
TITLE: CONTACT, SOCKET	
MOLLEX MOLEX INCORPORATED	
DRAWING NO. SD-83000-002	SHEET NO. 2 OF 2

SHT	REV
	REVISE ON CAD ONLY
THIS DRAWING CONTAINS INFORMATION THAT IS PROPRIETARY TO MOLEX INCORPORATED AND SHOULD NOT BE USED WITHOUT WRITTEN PERMISSION.	
SIZE	B