

## Features

- Single pole/double throw
- Vertical adjust
- Rugged construction
- Board washable
- Wave solderable
- RoHS compliant\*

■ For switch applications/processing guidelines, [click here](#)

# 7829 6 mm Through-hole Sealed Rotary Switch

### Electrical Characteristics

Contact Rating  
 Maximum Current..... 100 mA max.  
 Maximum Voltage..... 16 V  
 Contact Timing..... Non-shorting  
 Contact Resistance ..... 2 ohms max.

### General Characteristics

Switch Type ..... SPDT  
 Operating Temperature Range  
 ..... -55 °C to +125 °C  
 Storage Temperature Range  
 ..... -55 °C to +125 °C  
 Thermal Shock ..... 5 cycles  
 ..... -55 °C to +125 °C  
 Seal Test..... 85 °C Fluorinert†

### Mechanical Characteristics

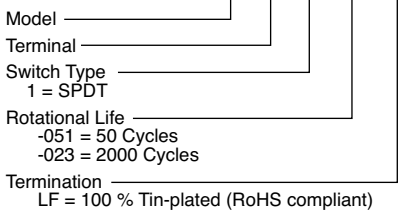
Stop Strength..... 3.5 N.cm  
 Positions ..... 2  
 Wiper ..... Position at CCW

### Environmental Characteristics

Vibration ..... 30 G  
 Shock..... 100 G  
 Thermal Shock ..... (5 cycles)  
 ..... -55 °C to +125 °C  
 Humidity  
 Insulation Resistance  
 ..... 10 megohms min.  
 Rotational Life  
 -051 ..... 50 Cycles  
 -023 ..... 2000 Cycles  
 Maximum Soldering Heat ..... 245 °C  
 Standard Packaging ..... 50 pcs/tube

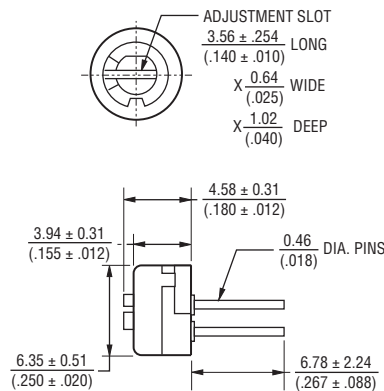
### How to Order

**7829 H - 1 - 051 LF**

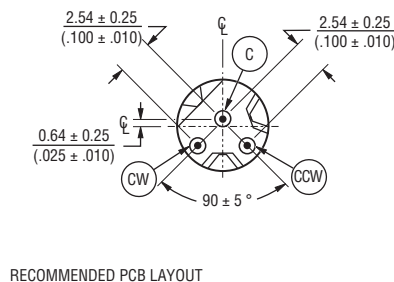
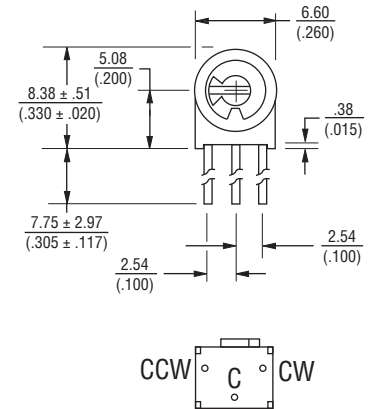


### Product Dimensions

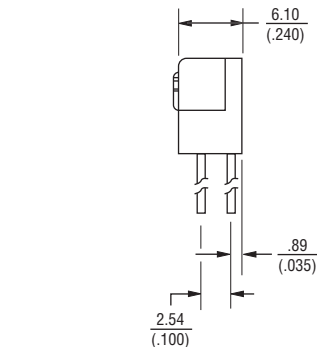
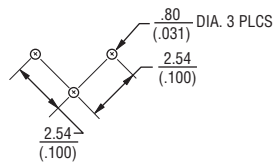
7829H



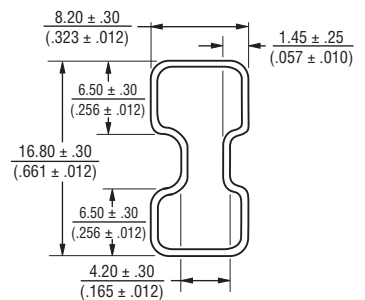
7829S



RECOMMENDED PCB LAYOUT

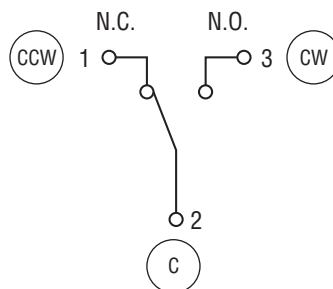


### Packaging Specifications



TUBE LENGTH - 356 ± 1.50 MM.  
 UNITS PACKAGED 50 PIECES PER TUBE.

### Switch Diagram



REV. 02/14

\*RoHS Directive 2002/95/EC Jan. 27, 2003 including annex and RoHS Recast 2011/65/EU June 8, 2011.

†“Fluorinert” is a registered trademark of 3M Co.

Specifications are subject to change without notice.

The device characteristics and parameters in this data sheet can and do vary in different applications and actual device performance may vary over time.

Users should verify actual device performance in their specific applications.

DIMENSIONS:  $\frac{\text{MM}}{\text{(INCHES)}}$

TOLERANCES: ±2 EXCEPT WHERE NOTED.