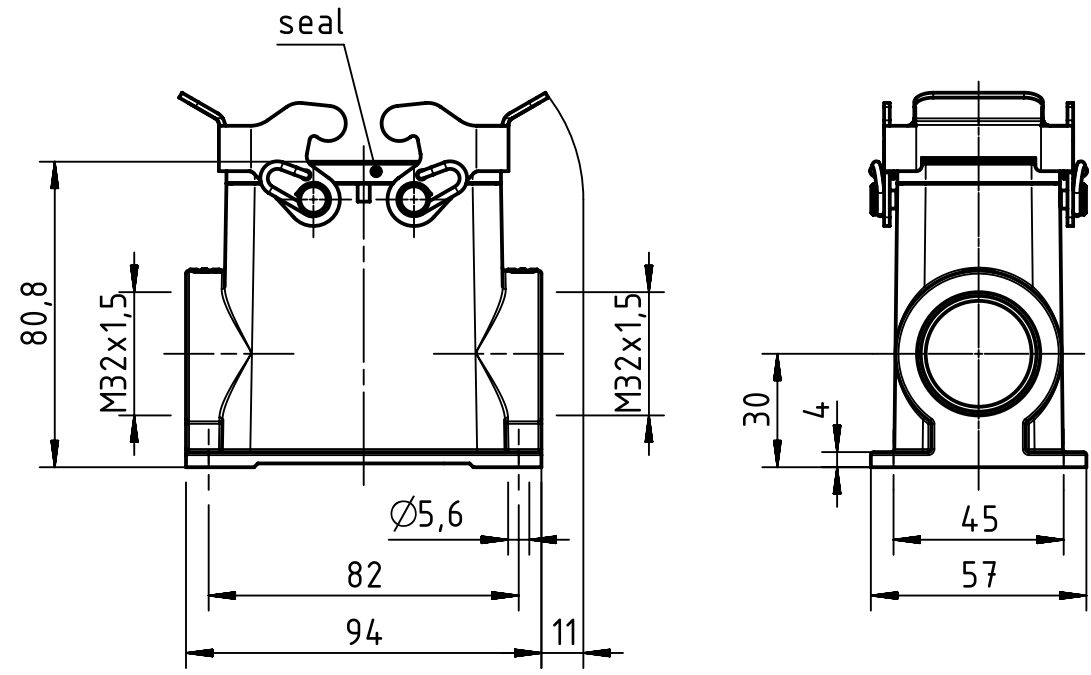
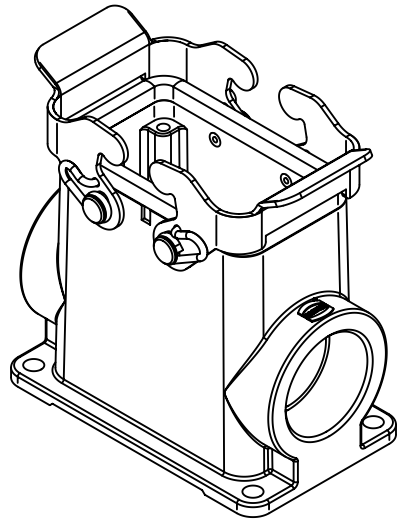



1 2 3 4 5 6

A  
B  
C  
D



	All rights reserved Department EL PD - DE	All Dimensions in mm Original Size DIN A4		Scale 1:2	Free size tol.	Ref. Sub. TB 19 37 010 0272 v. 09.06.10			
		HARTING Electric GmbH & Co. KG D-32339 Espelkamp	Created by SPREENB	Inspected by BERGHORN	Standardisation TIEMANNA	Date 2014-01-30	State Final Release	Doc-Key / ECM-Nr. 100192067/UGD/004/A 500000071121	
Title Han 10M-asg2-QB-M32						Type TB	Number 19 37 010 0272	Rev. A	Page 1/1