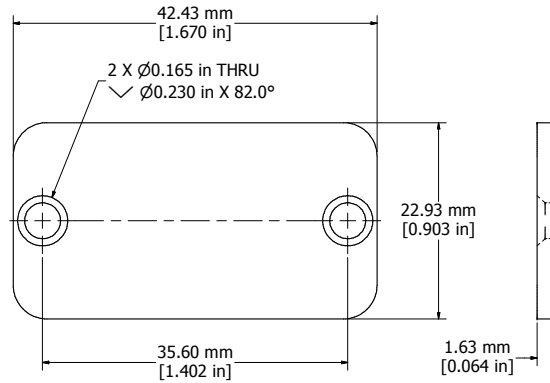
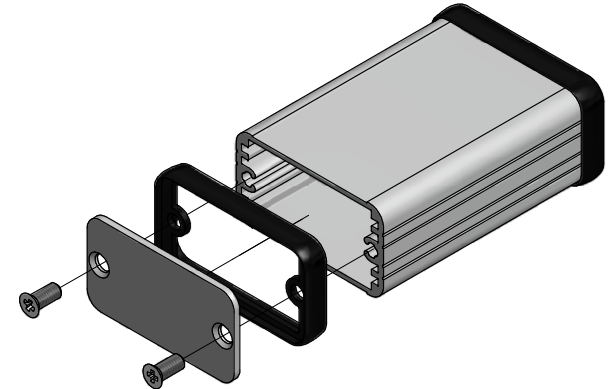


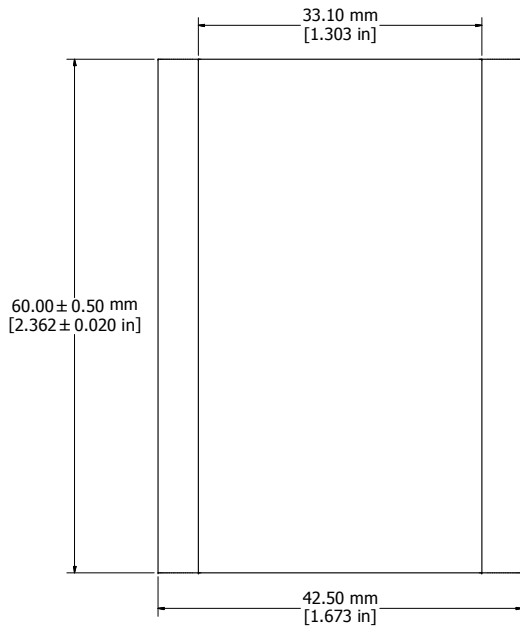
EXTRUSION PROFILE



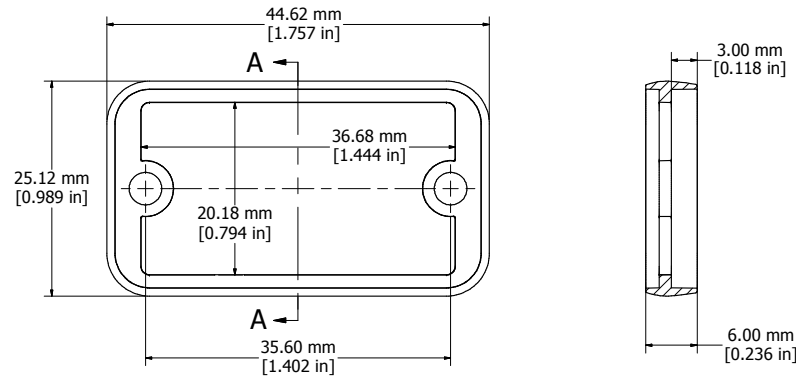
ENDPLATE



EXPLODED ASSEMBLY VIEW



DESIGNED FOR 39MM WIDE PC BOARD



OPEN BEZEL

SECTION A-A

Enclosures can be Factory Modified (Milling, Drilling, Printing etc.)
 Contact Factory mjm@hammondmfg.com for quotes
 Solid models of this enclosure available in STEP or IGES.

NOTE	
Purchased assembly includes box, plastic bezels, End Panels, Custom #6 Taptight screws and self adhesive rubber feet	
Box made from Extruded Aluminum 6063-T5	
Bezels made with polycarbonate.	
End Plates made from 5052-H32 Aluminum	
1455D601	
PART NUMBERS	
Clear Anodized	1455D601
Black Anodized	1455D601BK
Blue Anodized	1455D601BU
Red Anodized	1455D601RD
ACCESSORIES	
See website for accessories.	

HAMMOND MANUFACTURING™
1455D601
www.hammondmfg.com