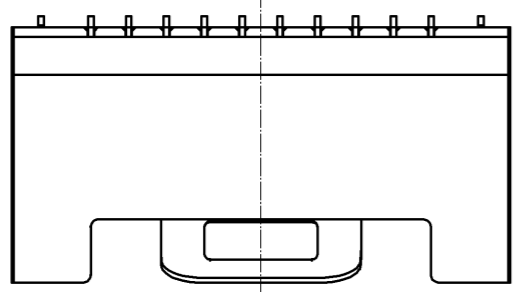
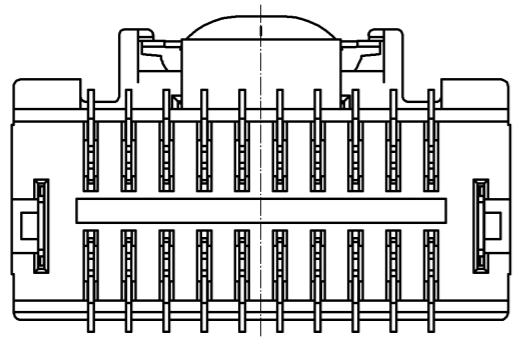
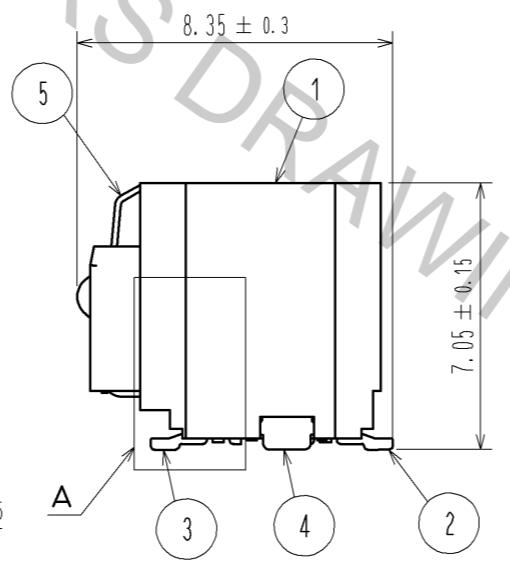
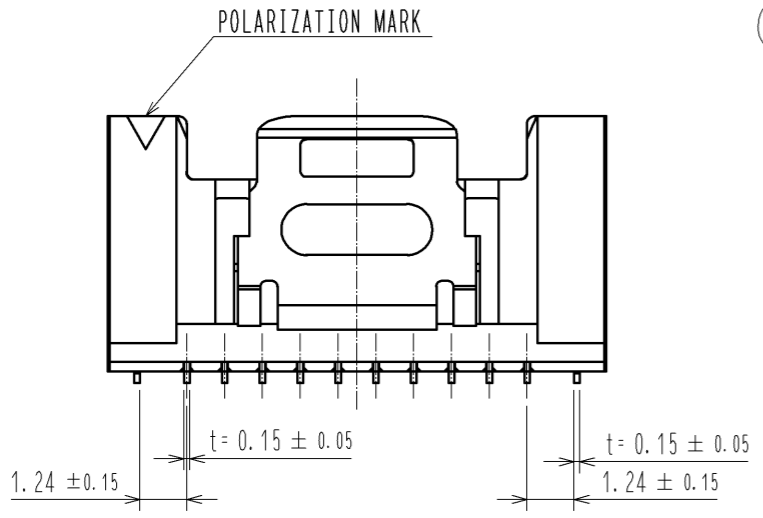
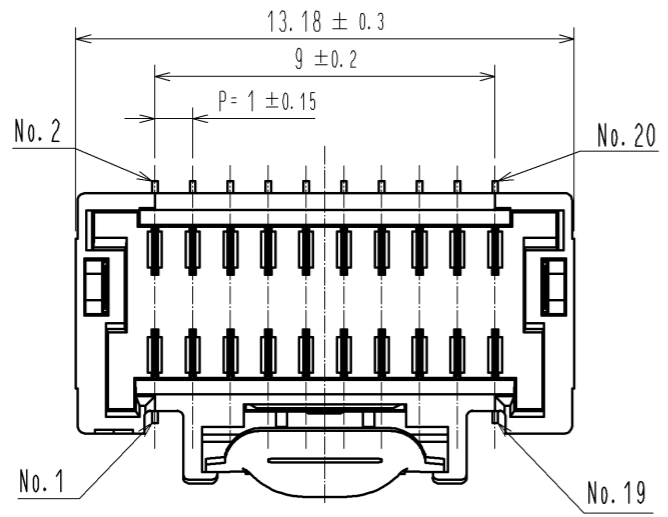
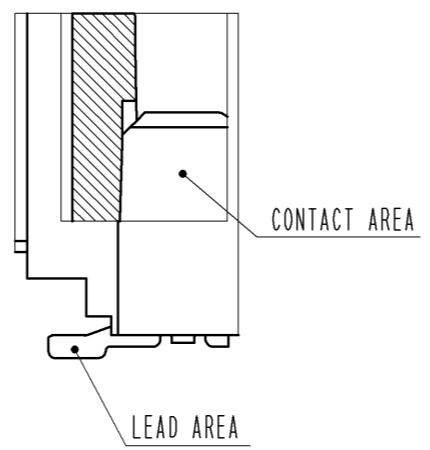


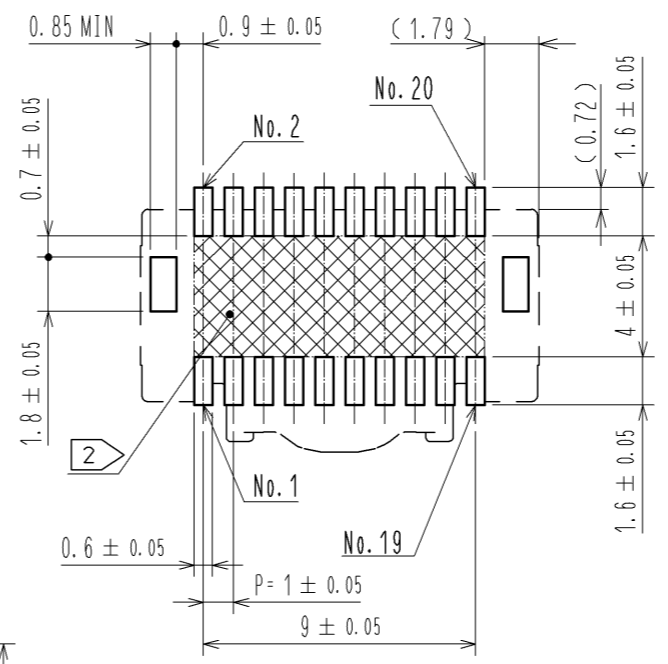
Apr.1.2017 Copyright 2017 HIROSE ELECTRIC CO., LTD. All Rights Reserved.



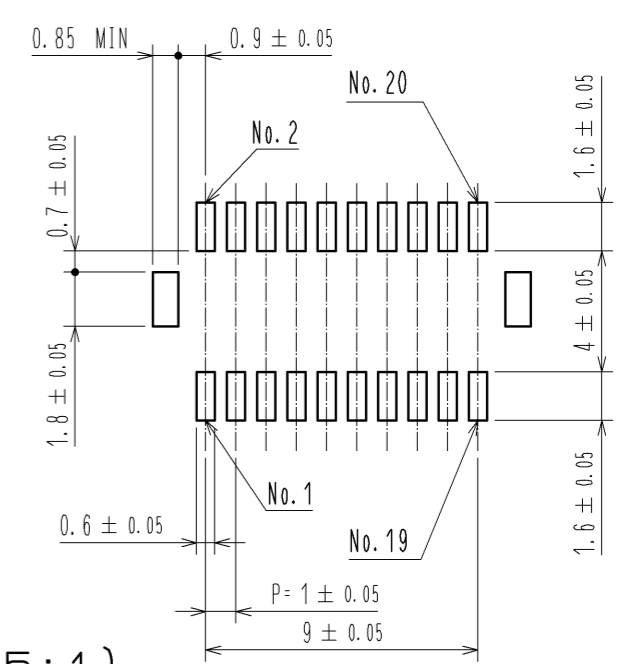
A (10 : 1)



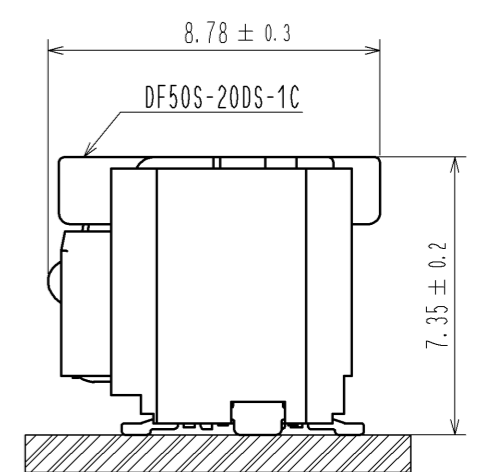
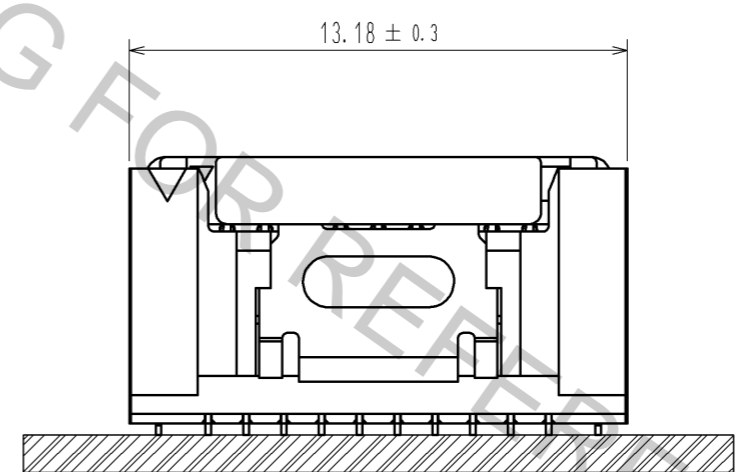
RECOMMENDED PCB LAYOUT  
(MOUNTING SURFACE SIDE) (FREE)



RECOMMENDED METAL MASK(FREE)  
THICKNESS : 0.1mm



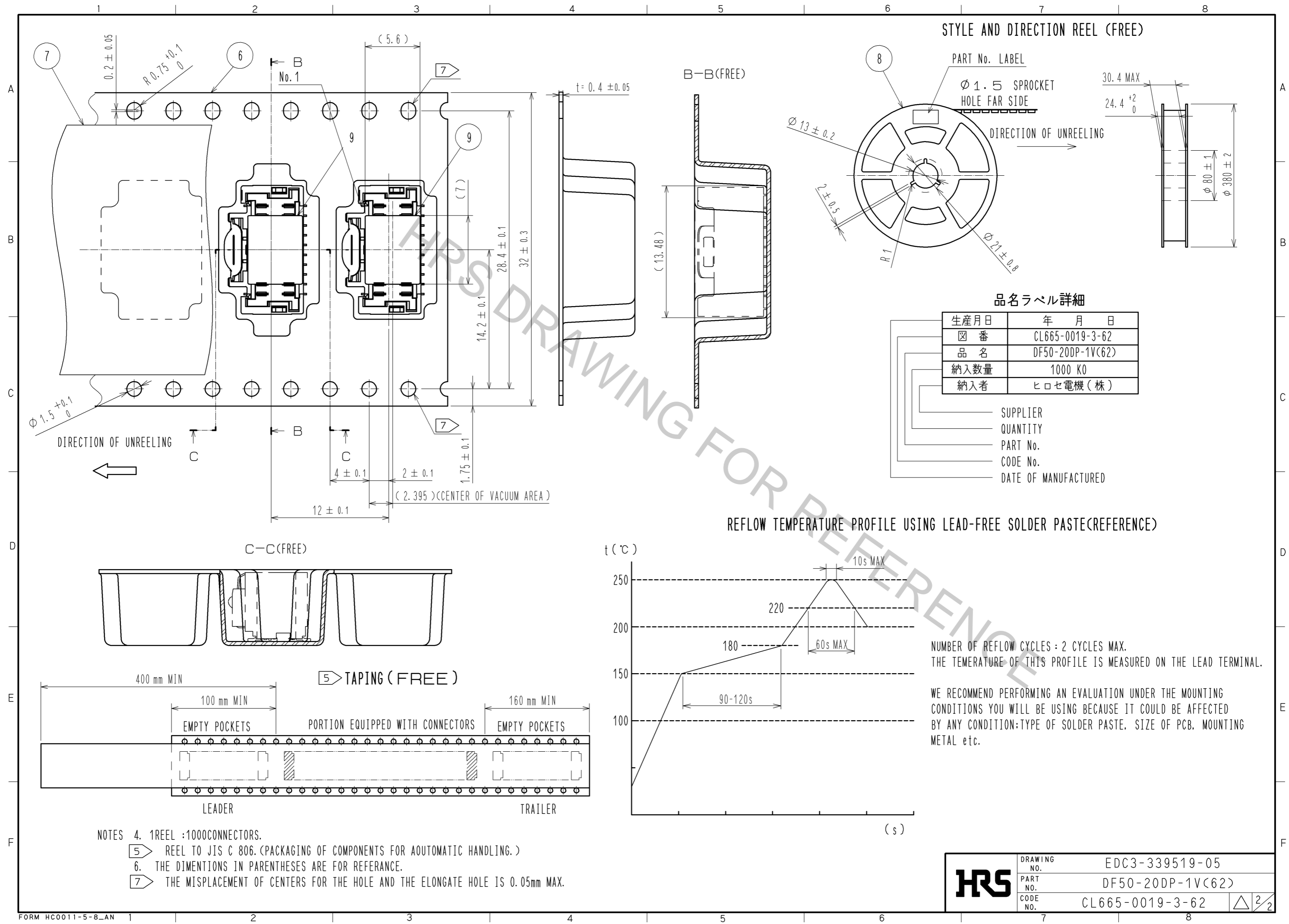
MATING FIGURE (5 : 1)



- NOTES 1. LEAD CO-PLANARITY SHALL BE 0.1 mm MAX.  
 2. AREA INDICATED MUST BE FREE OF CONDUCTIVE TRACES OR THE CONDUCTIVE TRACES MUST BE COVERED BY RESIST FILM.  
 3. PLEASE CONSULT HIROSE WHEN THE PRODUCT IS MOUNTED TO FPC.

3	BRASS	CONTACT AREA : Au PLATING 0.05μm MIN.	9	POLYAMIDE	VACUUM CAP
		LEAD AREA : Au PLATING 0.05μm MIN.	8	PS	REEL, BLACK
2	BRASS	UNDERPLATING : Ni PLATING 1μm MIN.	7	POLYESTER	CLEAR
		CONTACT AREA : Au PLATING 0.05μm MIN.	6	PS	CLEAR
1	LCP	LEAD AREA : Au PLATING 0.05μm MIN.	5	STAINLESS STEEL	-
		UNDERPLATING : Ni PLATING 1μm MIN.	4	BRASS	SURFACE : Sn PLATING 1μm MIN. UNDERPLATING : Ni PLATING 0.5μm MIN.
NO.	MATERIAL	FINISH, REMARKS	NO.	MATERIAL	FINISH, REMARKS

UNITS mm		SCALE FREE	COUNT 	DESCRIPTION OF REVISIONS	DESIGNED	CHECKED	DATE
APPROVED : KI. AKIYAMA 14.10.24				DRAWING NO.	EDC3-339519-05		
CHECED : TS. FUKUSHIMA 14.10.24				PART NO.	DF50-20DP-1V(62)		
DESIGNED : HT. SATO 14.10.24				CODE NO.	CL665-0019-3-62		
DRAWN : MI. SAKIMURA 14.10.22				1/2			



<b>HRS</b>	DRAWING NO.	EDC3-339519-05
	PART NO.	DF50-20DP-1V(62)
	CODE NO.	CL665-0019-3-62
		$\triangle 2/2$