

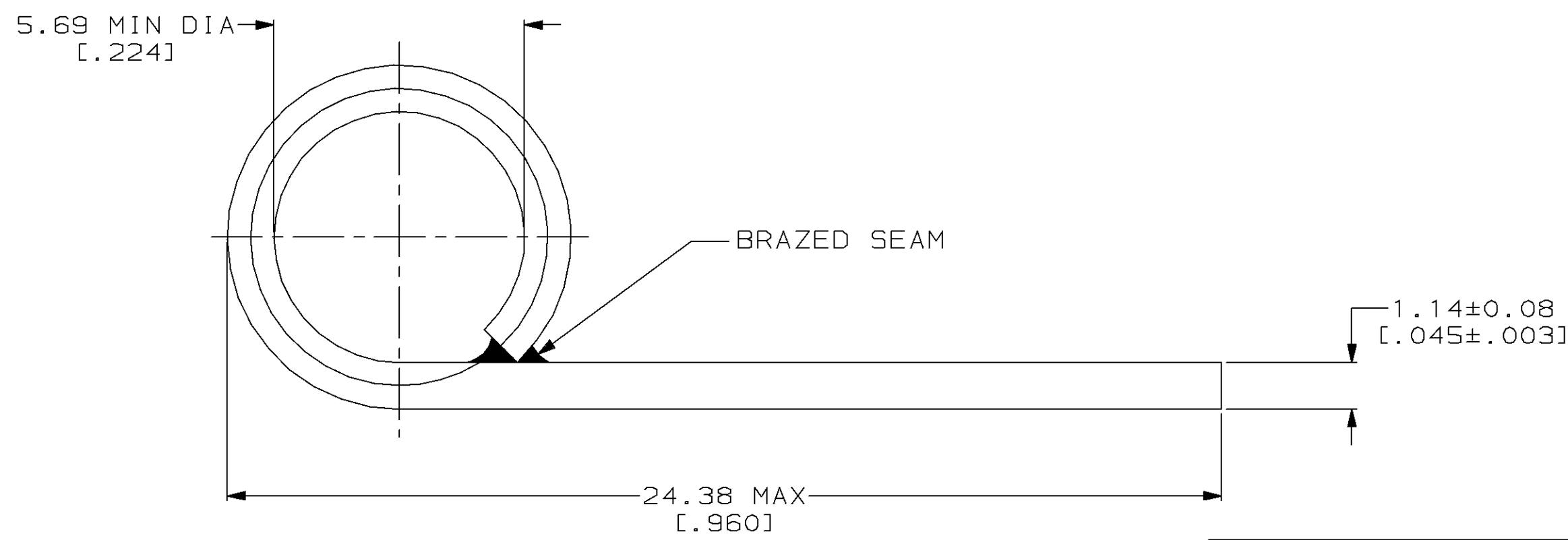
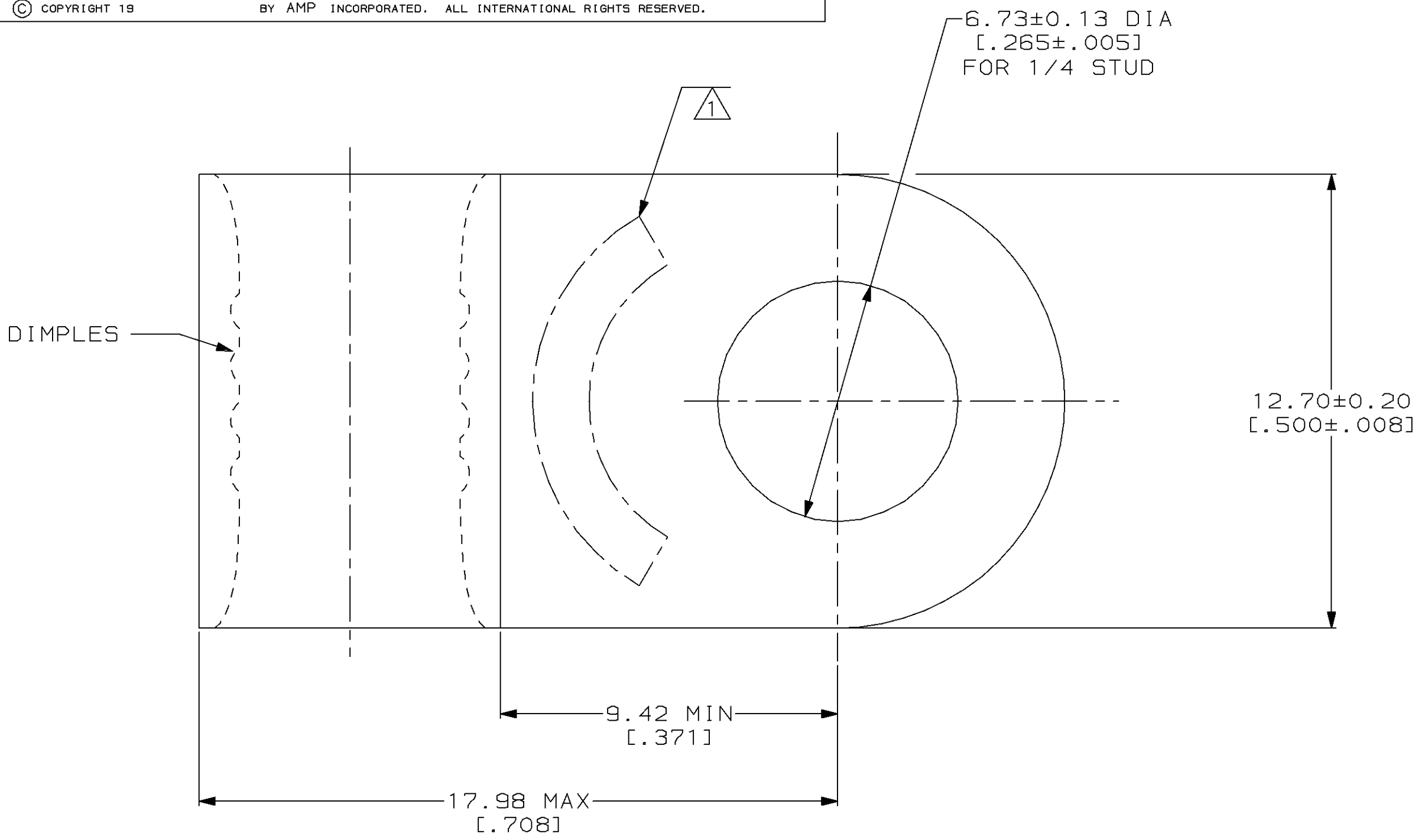
THIS DRAWING IS UNPUBLISHED. RELEASED FOR PUBLICATION, 19 .
 © COPYRIGHT 19 BY AMP INCORPORATED. ALL INTERNATIONAL RIGHTS RESERVED.

| LOC | DIST | P | F | ZONE | LTR | DESCRIPTION | DATE | APPD |
|-----|------|---|---|------|-----|--------------------------------|--------|------|
| G | 14 | | | | B | REV & REDRAWN PER 0720-0040-93 | 4-7-93 | DA P |

METRIC
 DIMENSIONS LISTED IN mm [INCHES]

| | |
|-------------------------------|----------------------------|
| AMP WIRE RANGE | UL E13288 Listed |
| 6 AWG SOLID OR STRANDED | 6 AWG STRANDED |
| SR LR7189 Certified | MILITARY P/N AND CLASS |
| 6 AWG SOLID OR STRANDED | NOT APPLICABLE |

① STAMP AMP 6W* APPROX AS SHOWN



| | | | | | |
|---|--|--|--|----------------------------|--|
| AMP INCORPORATED CUSTOMER SERVICE SYSTEMS | | MAX RECOMMENDED OPERATING TEMPERATURE: 170°C MAX | DO NOT SCALE PRINT. UNLESS SPECIFIED DIMENSIONS IN mm [INCHES] TOLERANCES ON: 2 PLC DEC ± - 3 PLC DEC ± - ANGLES ± - | DR 4-7-93 TA BRINKMAN | AMP AMP Incorporated Harrisburg, PA 17105-3608 |
| FOR ADDITIONAL PRODUCT INFORMATION OR COPIES OF DRAWINGS AND TECHNICAL DOCUMENTS | PRODUCT INFORMATION CENTER 1-800-522-6752 | VOLTAGE RATING: NOT APPLICABLE | MATERIAL COPPER PER ASTM B-152 ANNEALED | CHK 4-7-93 DA PATTERSON | |
| FOR APPLICATION TOOLING INFORMATION | TOOLING ASSISTANCE CENTER 1-800-722-1111 | WIRE CROSS SECTIONAL AREA RANGE: 10.5-16.8MM ² [20,800-33,100] CIR MILS SOLID OR STRANDED | FINISH TIN PLATE 0.00254 [0.00100] MIN THK PER MIL-T-10727 | APPD 4-7-93 DE MILLER | NAME TERMINAL, RING TONGUE, FLAG, SOLISTRAND™ _x |
| FOR ORDER ENTRY | 1-800-526-5142 | THIS DRAWING IS A CONTROLLED DOCUMENT FOR AMP INCORPORATED. IT IS SUBJECT TO CHANGE AND THE CONTROLLING ENGINEERING ORGANIZATION SHOULD BE CONTACTED FOR THE LATEST REVISION. | | APPD 4-7-93 JL MECKLEY | SIZE CAGE CODE DRAWING NO |
| | | | | PRODUCT SPEC - | SCALE 8:1 |
| | | | | APPLICATION SPEC - | WEIGHT - |
| | | | | | SHEET 1 OF 1 |