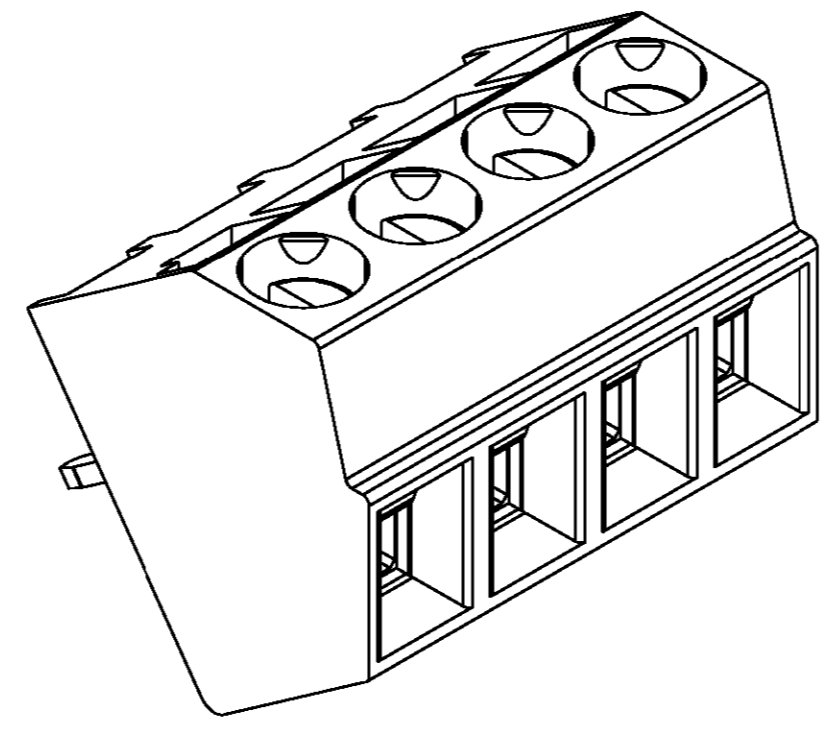
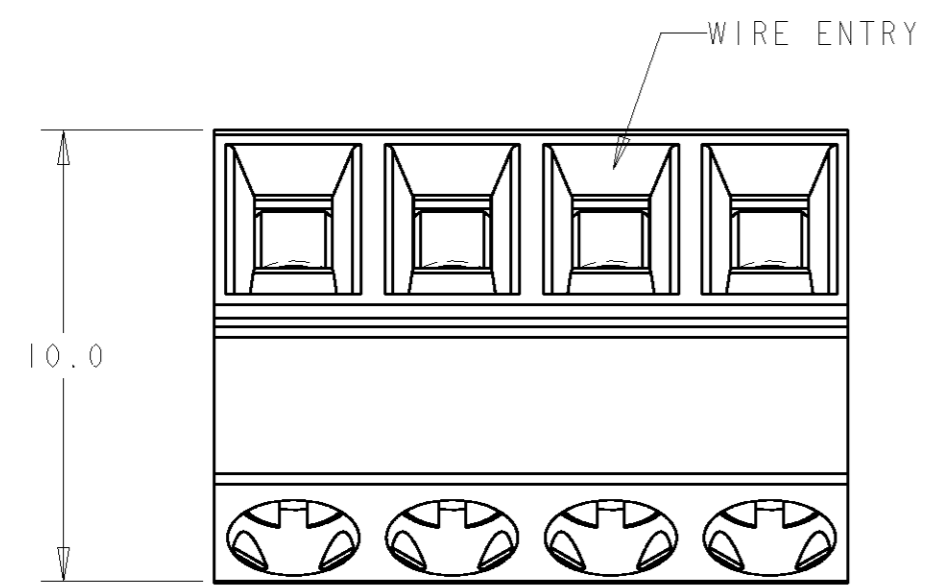


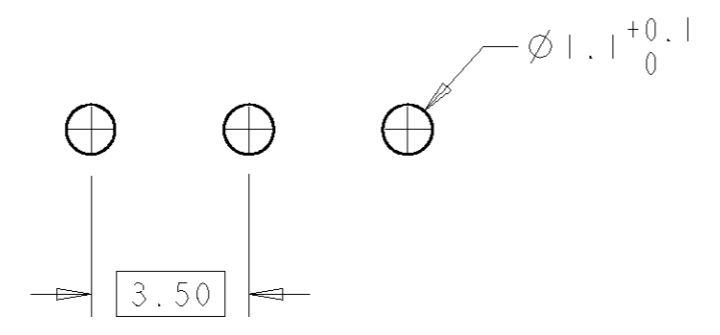
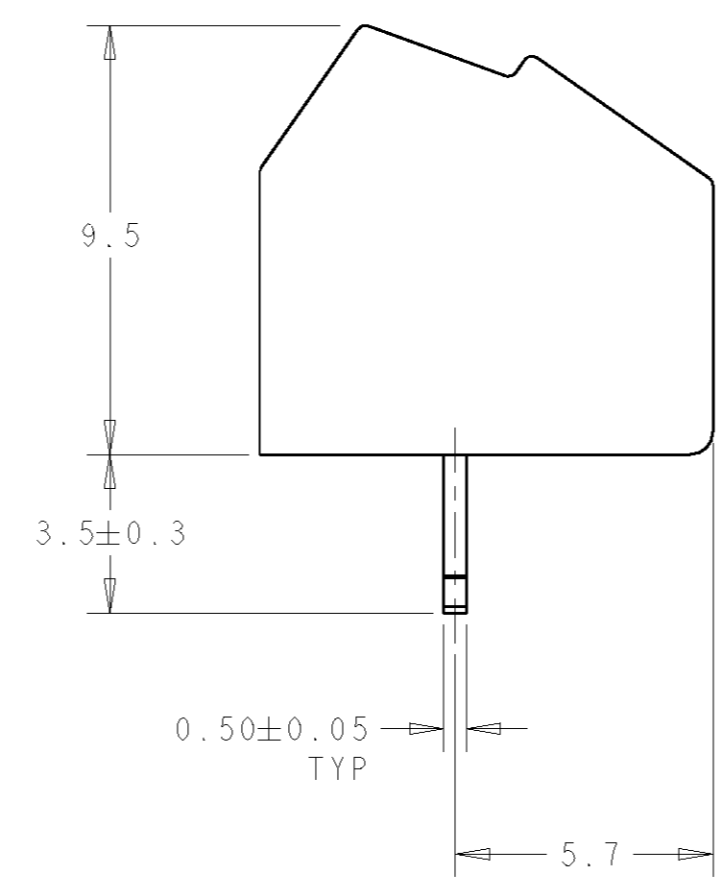
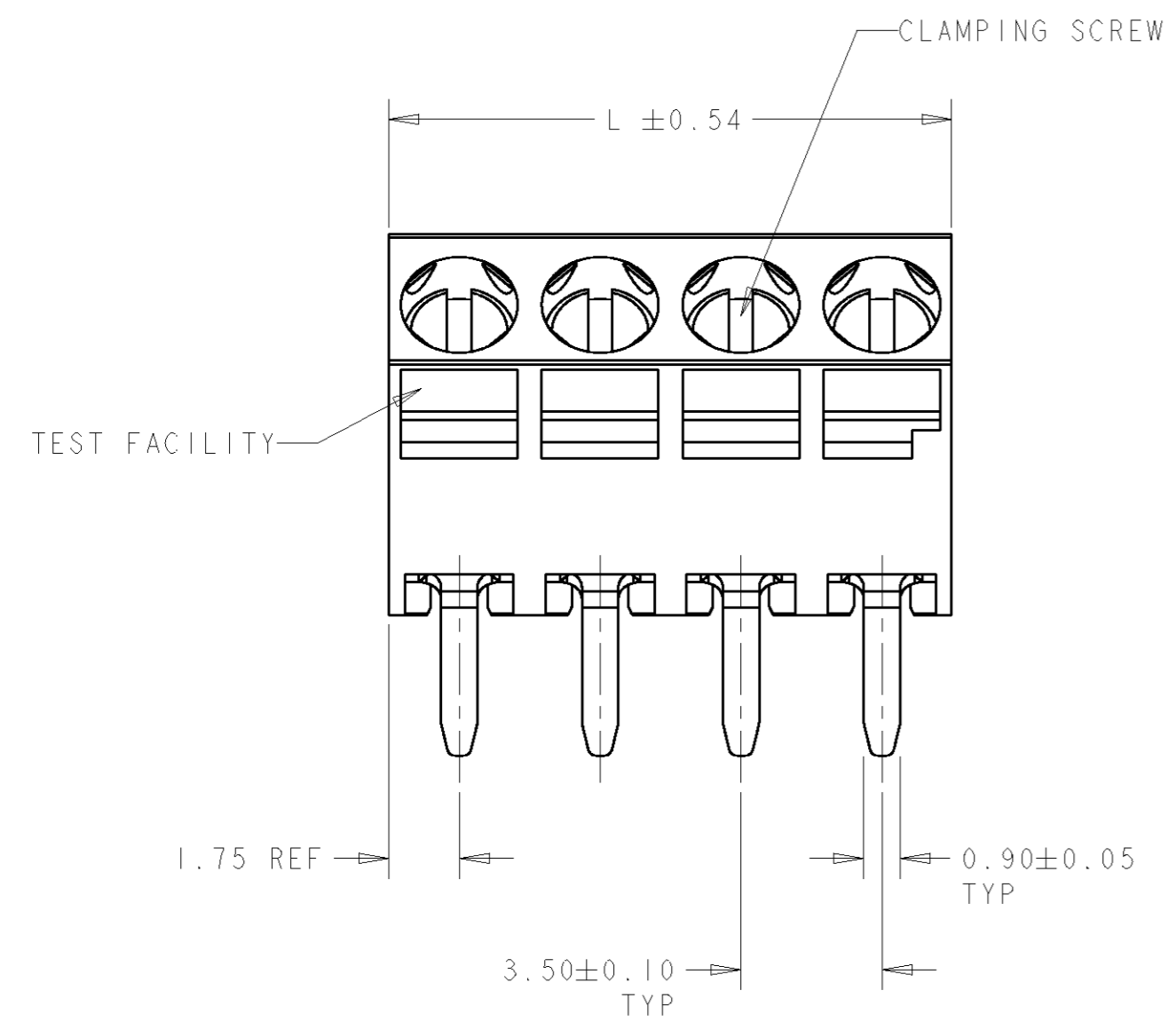
THIS DRAWING IS UNPUBLISHED. RELEASED FOR PUBLICATION 20  
 © COPYRIGHT 20 BY TYCO ELECTRONICS CORPORATION. ALL RIGHTS RESERVED.

LOC	DIST	REVISIONS					
FT	0	P	LTR	DESCRIPTION	DATE	DWN	APVD
		O		RELEASED	21APR2003	SW	CR
		A		REVISED EC 0G3B-0652-04	13AUG2004	SW	CR



1. MATERIALS AND FINISH:  
 HOUSING: PA 6-6, UL 94 VO-RATED, COLOR: GREEN.  
 TERMINAL: COPPER ALLOY, TIN PLATED.  
 CLAMP: COPPER ALLOY, NICKEL PLATED.  
 CLAMPING SCREW: COPPER ALLOY, NICKEL PLATED.
2. WIRE SIZE RANGE: 16-30 AWG.
3. CURRENT RATING: 12A, 300V  
 OPERATING TEMPERATURE: -40°C TO +110°C
4. SUITABLE FOR 2.4mm MAX PC BOARD THICKNESS.

1546556-4 AS SHOWN



RECOMMENDED PC BOARD LAYOUT

63.00	18	1-1546556-8
59.50	17	1-1546556-7
56.00	16	1-1546556-6
52.50	15	1-1546556-5
49.00	14	1-1546556-4
45.50	13	1-1546556-3
42.00	12	1-1546556-2
38.50	11	1-1546556-1
35.00	10	1-1546556-0
31.50	9	1546556-9
28.00	8	1546556-8
24.50	7	1546556-7
21.00	6	1546556-6
17.50	5	1546556-5
14.00	4	1546556-4
10.50	3	1546556-3
7.00	2	1546556-2
L	NO OF POSN	PART NUMBER

THIS DRAWING IS A CONTROLLED DOCUMENT FOR TYCO ELECTRONICS CORPORATION. IT IS SUBJECT TO CHANGE AND THE CONTROLLING ENGINEERING ORGANIZATION SHOULD BE CONTACTED FOR THE LATEST REVISION.		DWN	21APR2003	<b>BUCHANAN</b> Tyco Electronics Harrisburg, PA 17105-3608	
DIMENSIONS:		CHK	21APR2003		
mm		APVD	21APR2003		
TOLERANCES UNLESS OTHERWISE SPECIFIED:		PRODUCT SPEC APPLICATION SPEC WEIGHT CUSTOMER DRAWING			
0 PLC	±			NAME	TERMINAL BLOCK, ANGLED ENTRY, 55 DEGREE, STACKABLE, 3.5mm PITCH
1 PLC	±0.2			SIZE	A2
2 PLC	±0.25			CAGE CODE	00779
3 PLC	±0.000			DRAWING NO	1546556
4 PLC	±0.000			RESTRICTED TO	-
ANGLES	±			SCALE	6:1
FINISH				SHEET	1 OF 1
				REV	A