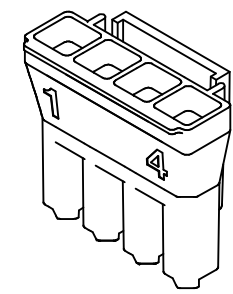
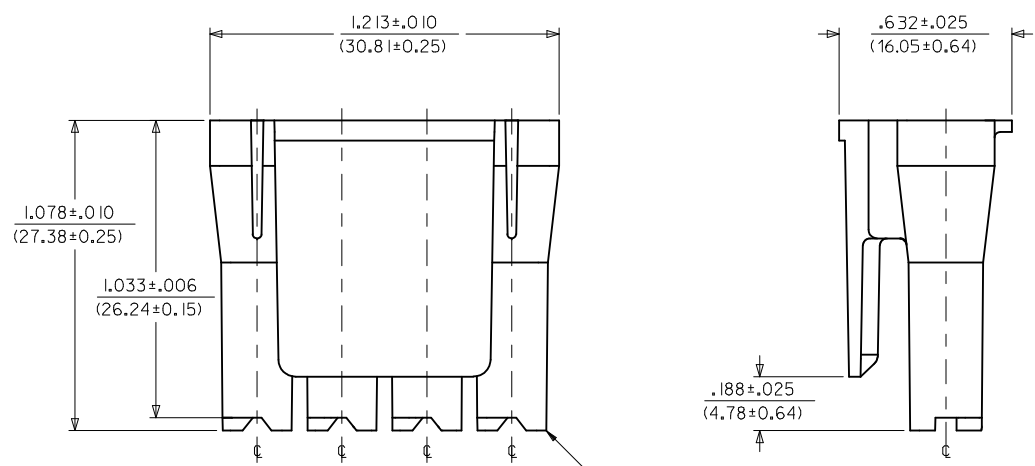


ITEM NO	MATERIAL	COLOUR
44441-2004	UL94V-0 NYLON	BLACK
44441-3004	UL94V-2 NYLON IEC 60335-1 GLOW WIRE CAPABLE	BLACK



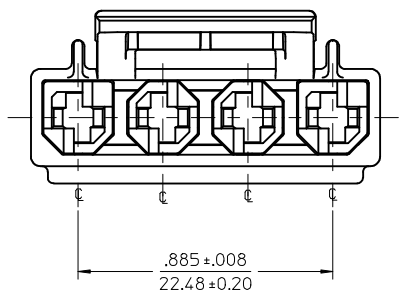
44441-1004
(NO SCALE)



CIRCUIT 1

NOTES:

1. MATERIAL: SEE CHART
2. THIS CONNECTOR HOUSING FOR USE WITH 43375-**** TERMINALS.
3. THIS CONNECTOR HOUSING WILL MATE TO A-43160-****4, 43180-****4, AND 43680-****4 HOUSINGS.
4. PRODUCT SPECIFICATION: PS-44441-9999.
5. PACKAGING: PK-44441-001.
6. PART CONFORMS TO CLASS 'B' REQUIREMENTS OF COSMETIC SPECIFICATION PS-45499-002 BUT, MEETS CLASS 'C' REQUIREMENTS FOR BUBBLES, SINK AND DISCOLORATION.



CORRECT TOLERANCE EC NO: UCP2014-5424 DRWN:JFOX 2014/06/26 CHKD:ANDERSON 2014/06/26 APPR:FSMITH 2014/07/09	QUALITY SYMBOLS ▽=0 ▽=0 ▽=0	GENERAL TOLERANCES (UNLESS SPECIFIED)		DIMENSION STYLE IN/MM	SCALE 3:1	DESIGN UNITS INCH	THIRD ANGLE PROJECTION
		4 PLACES ± --- ± ---	DRAWN BY BW	DATE 09/20/04	TITLE 4-CIR. RECEPT. HSG. .125/3.18) X .020/(0.51) SABRE - TPA molex		
		3 PLACES ± --- ± .010	CHECKED BY BW	DATE 09/20/04			
		2 PLACES ± 0.25 ± .014	APPROVED BY BW	DATE 09/20/04			
1 PLACE ± 0.35 ± ---	MATERIAL NO. SEE CHART	DOCUMENT NO. SD-44441-2004	SHEET NO. 1 OF 1				
B1	DESCRIPTION	ANGULAR ±1/2° DRAFT WHERE APPLICABLE MUST REMAIN WITHIN DIMENSIONS		SIZE C	THIS DRAWING CONTAINS INFORMATION THAT IS PROPRIETARY TO MOLEX INCORPORATED AND SHOULD NOT BE USED WITHOUT WRITTEN PERMISSION		