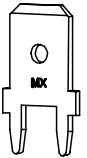
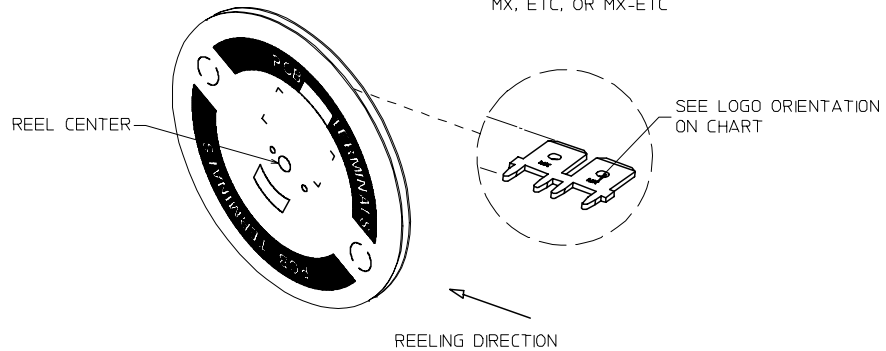
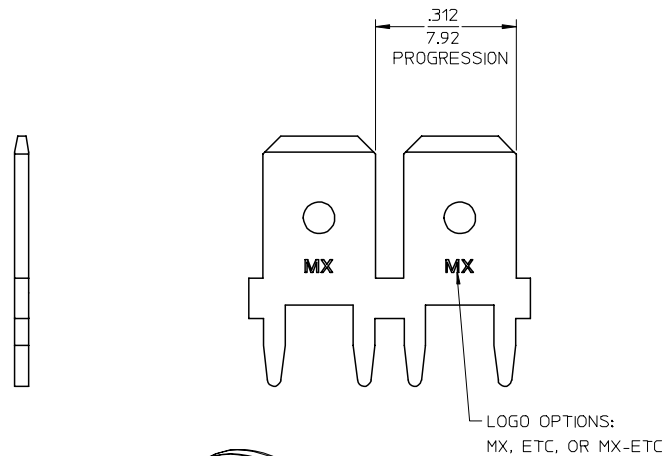
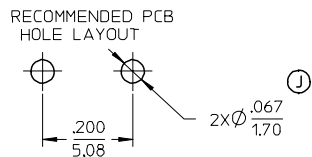
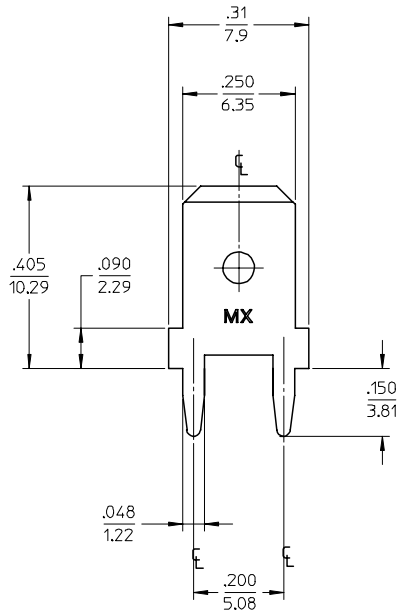


MATERIAL NUMBER	ENGINEERING NUMBER	CARRIER	LOGO ORIENTATION
197054303	19705-4303	STRIP	IN
197054305	19705-4305	STRIP	OUT
197054301	19705-4301	LOOSE	-



SCALE 3:1

NOTES:

1. BARE EDGES PERMISSIBLE AT CARRIER CUT OFF.
2. MATERIAL: BRASS C26000 (.032/0.81) THICK.
3. TAB CONFORMS TO NEMA SPECIFICATIONS.
4. ALL DIMENSIONS AND NOTES REFERENCE UNLESS OTHERWISE NOTED.
5. PLATING: MATTE TIN 150μIN/3.81μm MINIMUM THICKNESS OVER NICKEL 50μIN/1.25μm MINIMUM THICKNESS.
6. REF: 9,000 MINIMUM PARTS PER REEL. REEL HAS 14" DIAMETER REEL WITH A 1.25" DIAMETER CENTER HOLE.
7. PART IS ROHS COMPLIANT.

REVISED PCB HOLE DIA FC NO: ETC2007-0403 DRAWN BY: DRW:NEHLE CHKD: JMACNEIL APPR: JMACNEIL 2007/05/14 2007/05/14 2007/05/15	QUALITY SYMBOLS =0 =0	GENERAL TOLERANCES (UNLESS SPECIFIED)		DIMENSION STYLE IN/MM		SCALE 5:1	DESIGN UNITS INCH	THIRD ANGLE PROJECTION
		mm	INCH	DRAWN BY EDB	DATE 11/08/96	TITLE QUICK DISCONNECT PCB MOUNTABLE .250 X .032 TAB		
		4 PLACES ±	±	CHECKED BY JH	DATE 11/08/96	MOLEX INCORPORATED		SHEET NO. 1 OF 1
		3 PLACES ±	±.005	APPROVED BY RWD	DATE 11/08/96	SD-19705-430		
		2 PLACES ±	±.01	MATERIAL NO. SEE CHART		DOCUMENT NO. SD-19705-430		
		1 PLACE ±	±.25	SIZE C		THIS DRAWING CONTAINS INFORMATION THAT IS PROPRIETARY TO MOLEX INCORPORATED AND SHOULD NOT BE USED WITHOUT WRITTEN PERMISSION		
		ANGULAR ±1/2°		DRAFT WHERE APPLICABLE MUST REMAIN WITHIN DIMENSIONS				