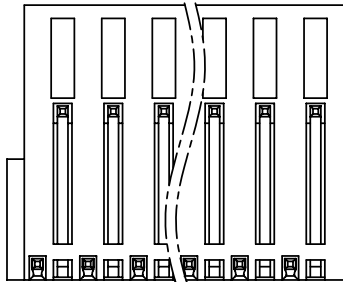
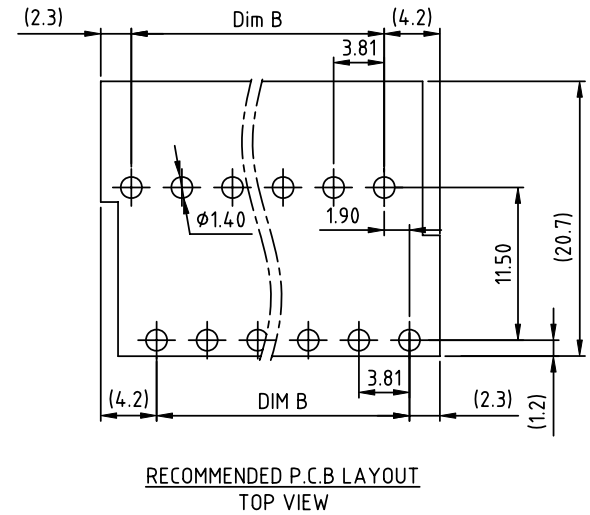
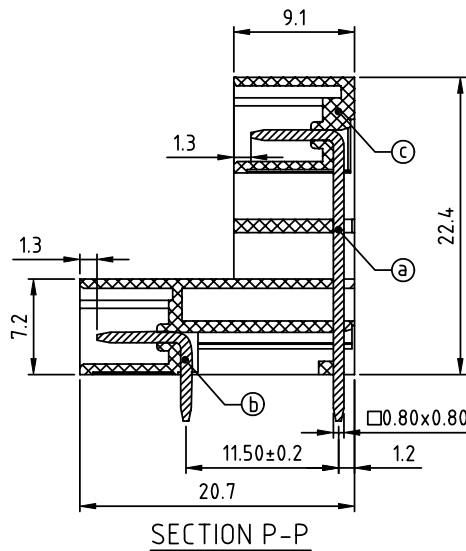
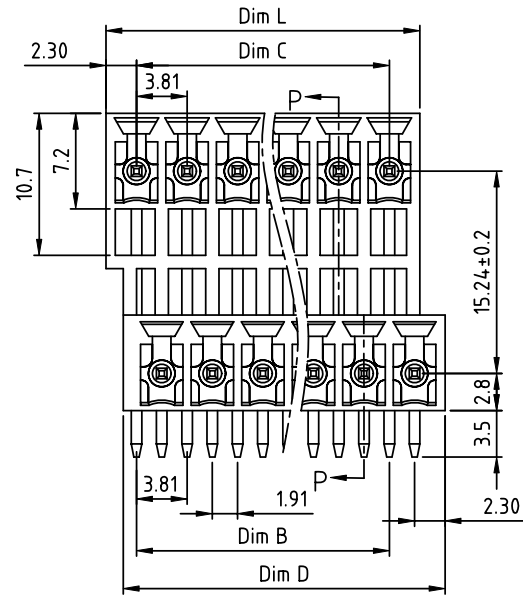


PRODUCT NUMBER	PITCH
VFxx31x100J0G	3.81 mm



Material:

- Item (a) Long pin: copper, Tin plated
 - Item (b) Short pin: copper, Tin plated
 - Item (c) Terminal (housing): Thermoplastic (UL94V-0)
- Electrical cULus
- Voltage rating: 300VAC
 - Current rating: 10A
 - Withstanding Voltage: 1.6KV
 - Operating temperature: -40°C to +115°C
 - Soldering temperature: 260°C±5°C/5 Sec
 - Safety Approval:

N=NUMBER OF POLES
 Dim L=(N/2-1)×3.81+4.6
 Dim B=(N/2-1)×3.81
 Dim C=(N/2-1)×3.81
 Dim D=(N/2-1)×3.81+5.2

POLES	Tolerance
2×2P-2×5P	±0.15
2×6P-2×10P	±0.20
2×11P-2×13P	±0.25
2×14P-2×16P	±0.30
2×17P-2×20P	±0.35
2×21P-2×24P	±0.40

PART NO.: VF xx 3 1 x 1 00J0 G

Solid block	0	Black (RAL9005)	RoHS compliant
No. of poles	2	Red (RAL3001/D)	(lead<4%) In copper Alloy
04 2x2poles	3	Orange(RAL2011/P)	
06 2x3poles	4	Yellow(RAL1018/A)	
... ..	5	Green(RAL6018/T)	
48 2x24poles	6	Blue (RAL5015/A)	
	8	Grey(RAL7035/D)	
	9	White(RAL1102)	
	C	Green(RAL6018/U)	

mat'l. code		surface ASME Y14.5	tolerance ASME Y14.5	projection	product family TERMINAL BLOCK
ltr	ecn no	dr	date		title TERMINAL BLOCK
				MM	PLUGGABLE SOCKET,RIGHT ANGLE
				scale	dwg no VFxx31x100J0G
					sheet 1 of 1 size A4
					type CUSTOMER Drawing
sheet index	revision	A			
	sheet	1			