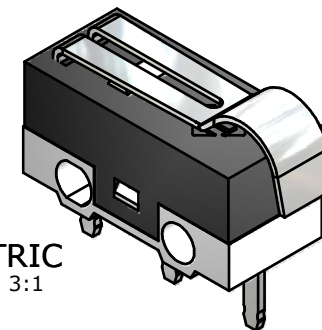
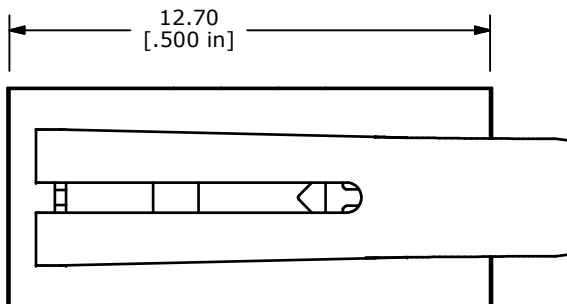
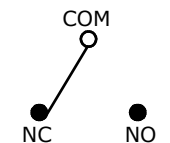


P.C. MOUNTING



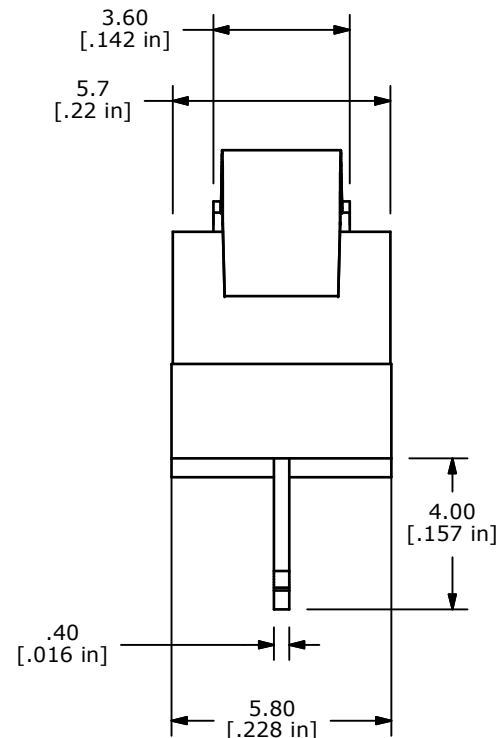
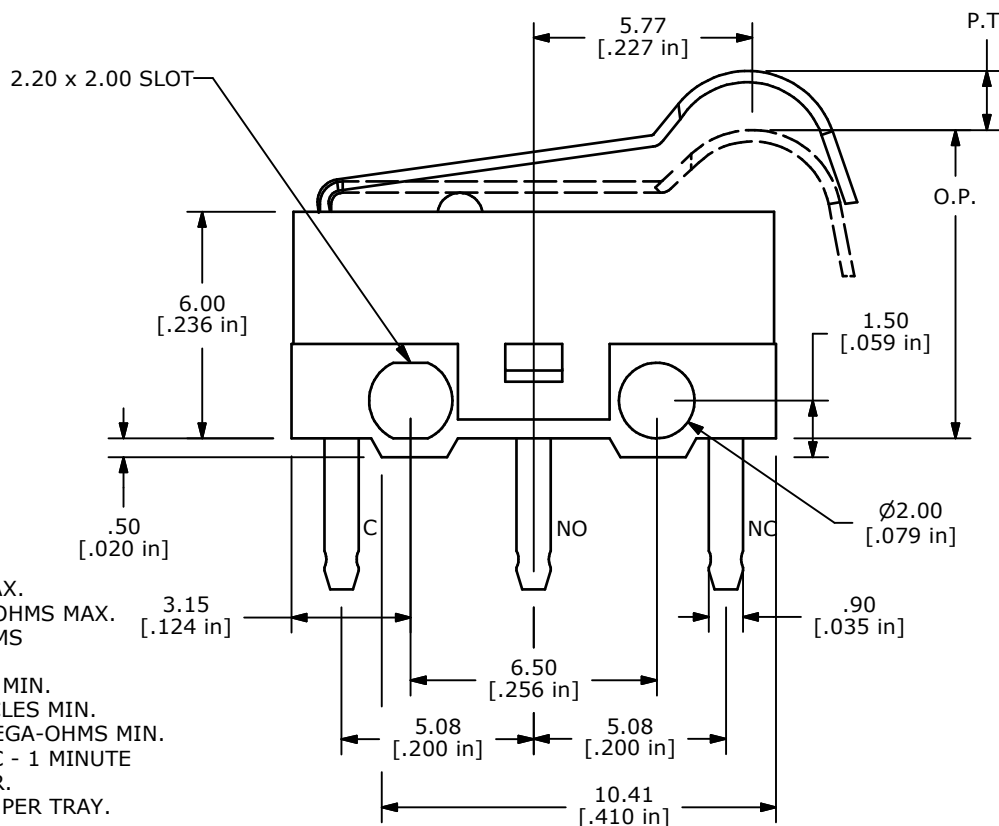
ISOMETRIC
SCALE: 3:1



CIRCUIT: SPDT

O.P. (MM)	P.T. (MM)
9.65 ± 0.8	1.35 MAX.

O.P. = OPERATING POINT
P.T. = PRE-TRAVEL



NOTES:

1. ALL DIMENSIONS IN MM [INCH]
2. GENERAL TOLERANCE: X.X ± 0.4
X.XX ± 0.25
- ▲ 3. RATING: 0.4VA MAX. @ 20VDC MAX.
- ▲ 4. CONTACT RESISTANCE: 100 Milli-OHMS MAX.
5. OPERATING FORCE: 50 ± 15 GRAMS
6. OPERATING TEMP: -25°C TO 75°C
7. ELECTRICAL LIFE: 10,000 CYCLES MIN.
8. MECHANICAL LIFE: 1,000,000 CYCLES MIN.
9. INSULATION RESISTANCE: 100 MEGA-OHMS MIN.
10. DIELECTRIC STRENGTH: 1,500VAC - 1 MINUTE
11. ▲ DENOTES CRITICAL PARAMETER.
12. PACKAGED IN TRAYS, 120 PIECES PER TRAY.
13. 2002/95/EC (ROHS) COMPLIANT



TITLE SS075R103F050P1A

A	18632	Release For Production	9/22/09	BLR
REV	PCR NO	DESCRIPTION	DATE	BY

THE INFORMATION CONTAINED IN THIS DOCUMENT IS PROPRIETARY TO E-SWITCH AND IS NOT TO BE COPIED OR TRANSFERRED

SCALE	DATE	DR	DWG	REV
4:1	9/22/2009	BLR	Q971026	A