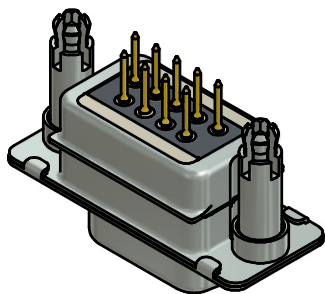
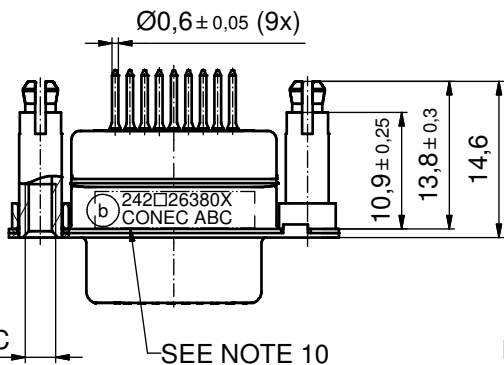
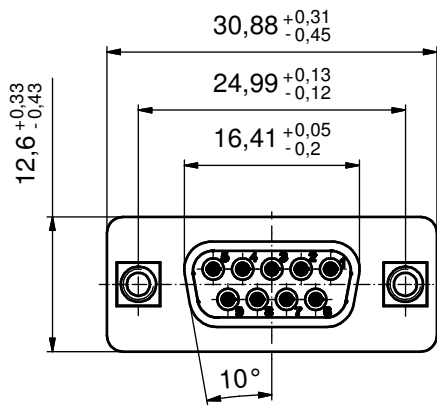
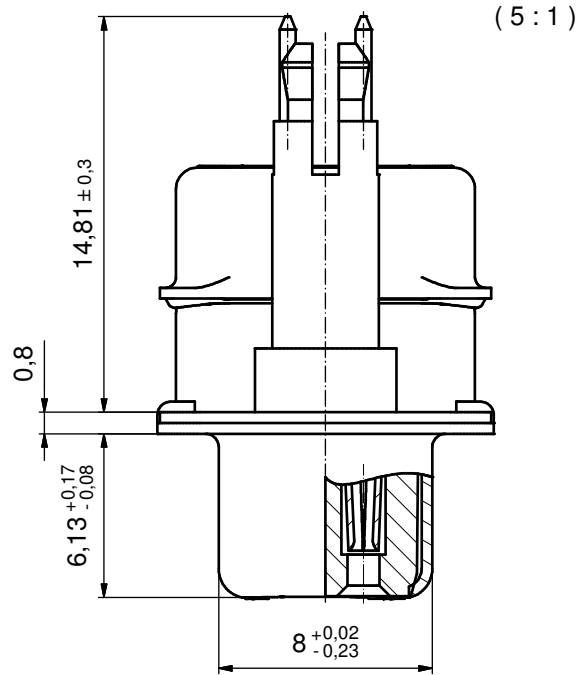
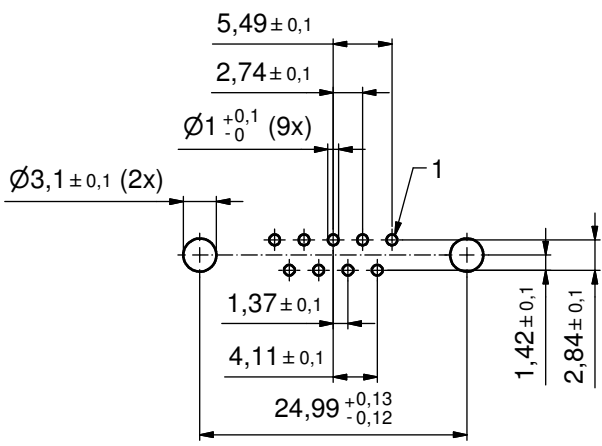


PCB HOLE DRILLINGS  
(P.C.B. TOP SIDE)



NOTES:

1. FOR WAVESOLDERING (SOLDER BATH TEMPERATURE 260°C FOR 5 SEC. AND SOLDER PREHEAT 100°C FOR 30 SEC.)
2. METALSHELLS: STEEL; min. 315µm TIN over 40-80µm NICKEL
3. INSULATOR: HIGH TEMPERATURE PLASTIC UL 94 V-0; BLACK
4. CONTACTS: COPPER ALLOY; PLATING (SEE PART NO.):
  - PLEASE ADD A for GOLD FLASH over NICKEL (PREFERRED TYPE)
  - PLEASE ADD B for 20µm HARD GOLD over min. 50µm NICKEL
  - PLEASE ADD C for 30µm HARD GOLD over min. 50µm NICKEL
 CONTACT TAILS PRETINNED
5. THREADED SPACER CLIPS: COPPER ALLOY; min. 200µm TIN over 80µm NICKEL  
PCB-HOLE:  $\varnothing 3,1 \pm 0,1$ ; PCB THICKNESS 1,6mm
6. COLLARS: COPPER ALLOY; min. 200µm TIN over 80µm NICKEL
7. CAPACITANCE: 2 x 1300pF  $\pm 20\%$
8. DIELECTRIC WITHSTANDING VOLTAGE: 300 VDC
9. MAXIMUM TORQUE VALUE FOR THREAD: 6 in.LB
10. CONNECTOR IS PART MARKED: 242□26380X CONEC ABC (see note 4)

Directive 2002/95/EC RoHS compliant

THIS DRAWING MAY NOT BE COPIED OR REPRODUCED IN ANY WAY, AND MAY NOT BE PASSED ON TO A THIRD PARTY WITHOUT WRITTEN PERMISSION. OWNERSHIP AND COPYRIGHT OF CONEC GmbH  DO NOT ALTER CAD DRAWING BY HAND					tolerance	dim. in mm	scale: 2:1 (5:1)		
					date		name	material: SEE NOTES	
					drawn	22.03.07	title:		
					appd.	22.03.07	D-SUB PI FILTER FEMALE		
					norm		9pos. SOLDER PIN STRAIGHT		
					d-old		with threaded spacer clip		
					3 x b	Ä5135	18.03.2014	K.H.	dwg no:
					a	Original			24K1A984
					rev.	description	date	name	DIN-A3
					<b>CONEC</b> ®				sh: 1
								part no: (b) 242□26380X (see note 4)	