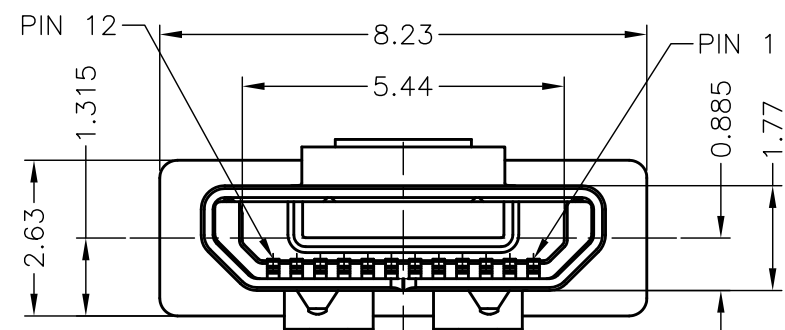
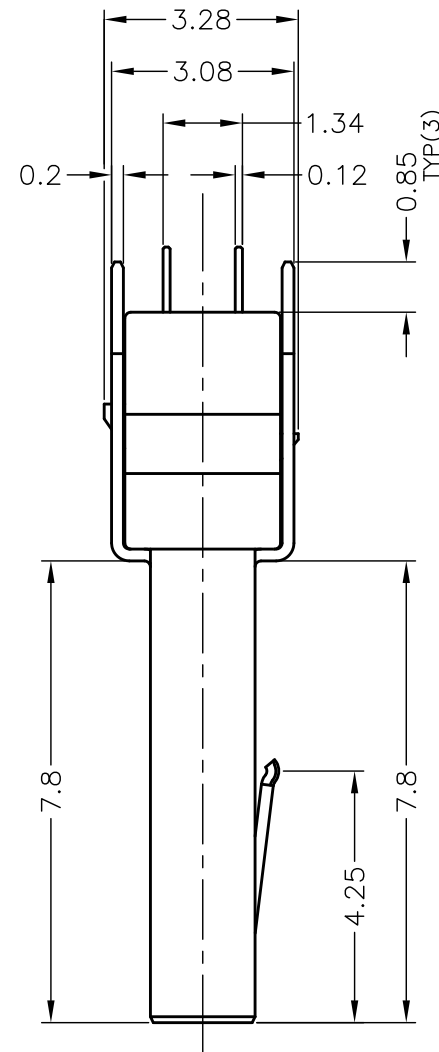
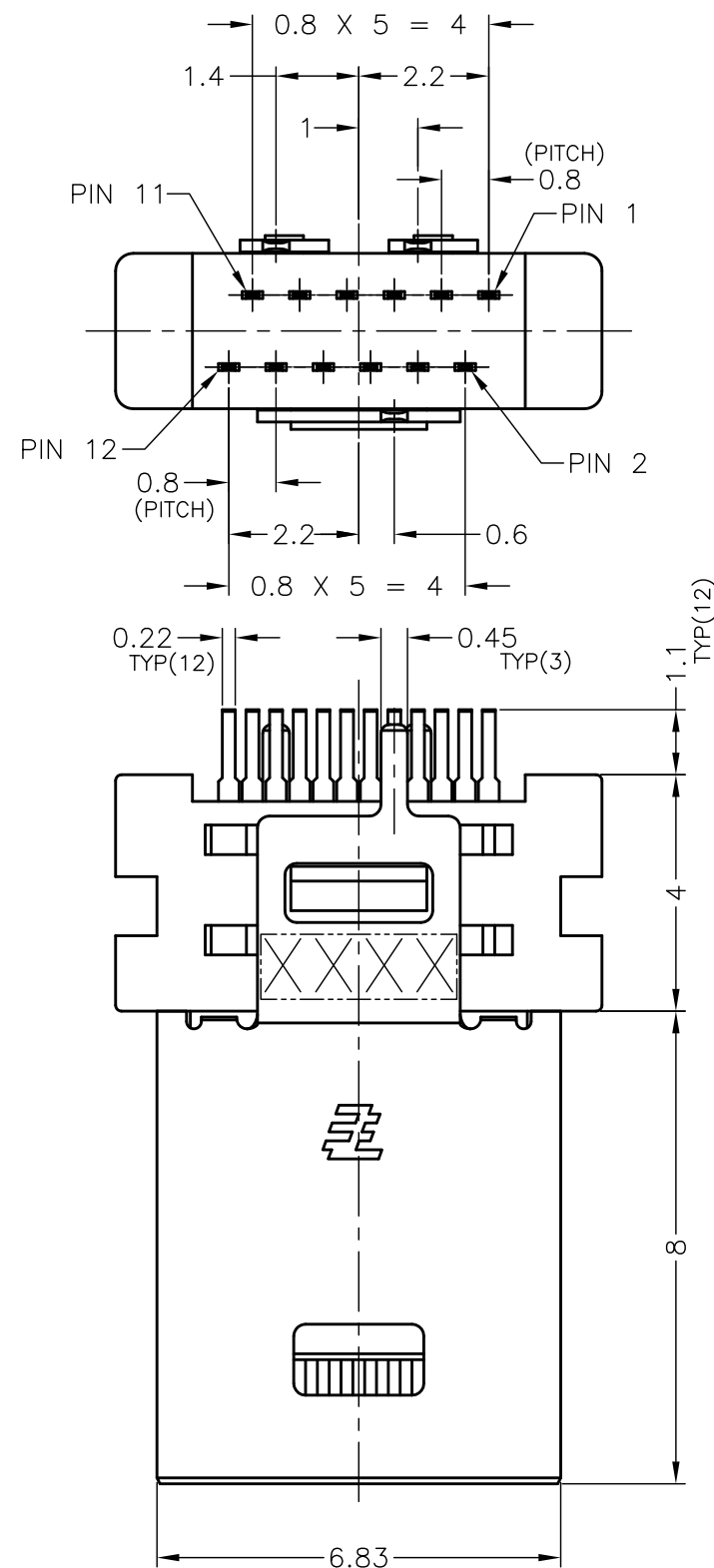


LOC	DIST	REVISIONS			
P	LTR	DESCRIPTION	DATE	DWN	APVD
	A	RELEASED	03MAR11	N.T	H.K

2129295-1: AS SHOWN



- 1. MATERIAL:
 HOUSING: HIGH TEMPERATURE THERMOPLASTIC
 UL94 V-0, COLOR: BLACK.
 CONTACT: COPPER ALLOY.
 SHELL: STAINLESS STEEL.
- 2. FINISH:
 CONTACT: Ni UNDER PL Au PL.
 SHELL: Ni PL OVERALL.
- 3. SOLDER RING GAP SHOULD BE MIN. 0.2mm.
- 4. DATE CODE : (TEXT : ROMANS, HEIGHT : 0.9mm)
 X X X
 DATE (SUNDAY~SATURDAY : 1~7)
 WEEK
 YEAR

THIS DRAWING IS A CONTROLLED DOCUMENT.		DWN	N. TSAI	03MAR11	Tyco Electronics Corporation Taipei, Taiwan
DIMENSIONS: mm		CHK	V. PENG	03MAR11	
TOLERANCES UNLESS OTHERWISE SPECIFIED: 8 PLC ± 1 PLC ± ±0.2 2 PLC ± ±3° 3 PLC ± ± 4 PLC ± ± ANGLES ± ±		APVD	H. KODAMA	03MAR11	
MATERIAL 1		PRODUCT SPEC		NAME	
FINISH 2		APPLICATION SPEC		MICRO HYBRID CONNECTOR THROUGH HOLE, CRADLE TYPE PLUG ASSY	
CUSTOMER DRAWING		SIZE	A3	CAGE CODE	00779
		DRAWING NO	2129295		RESTRICTED TO
		SCALE	8:1		SHEET 1 of 3
		REV	A		

4

3

2

1

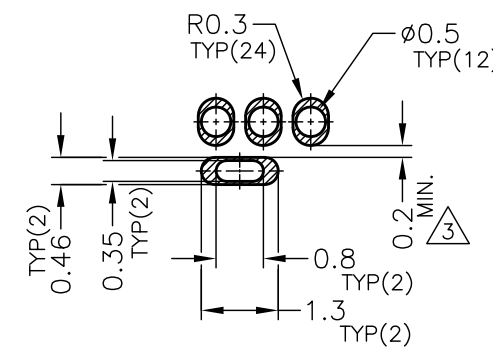
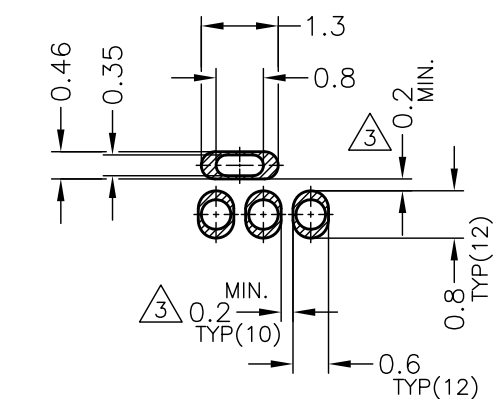
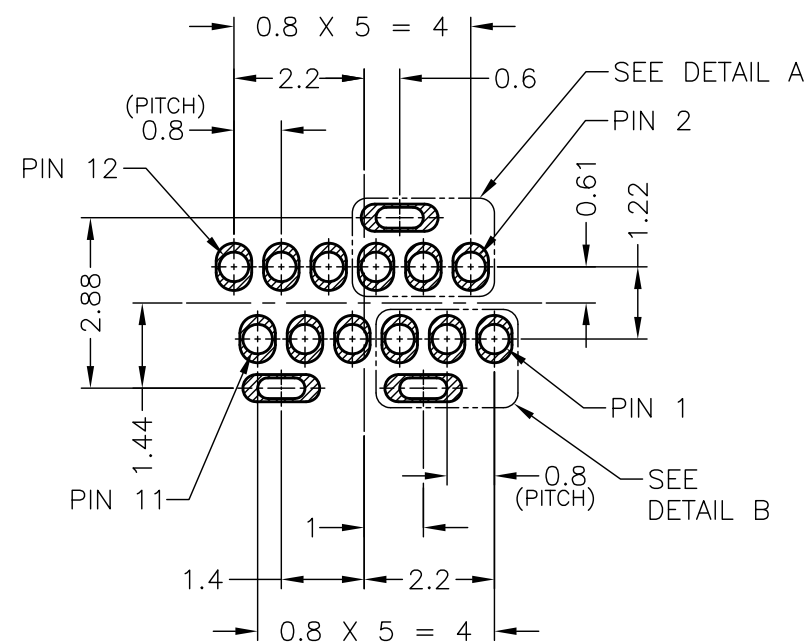
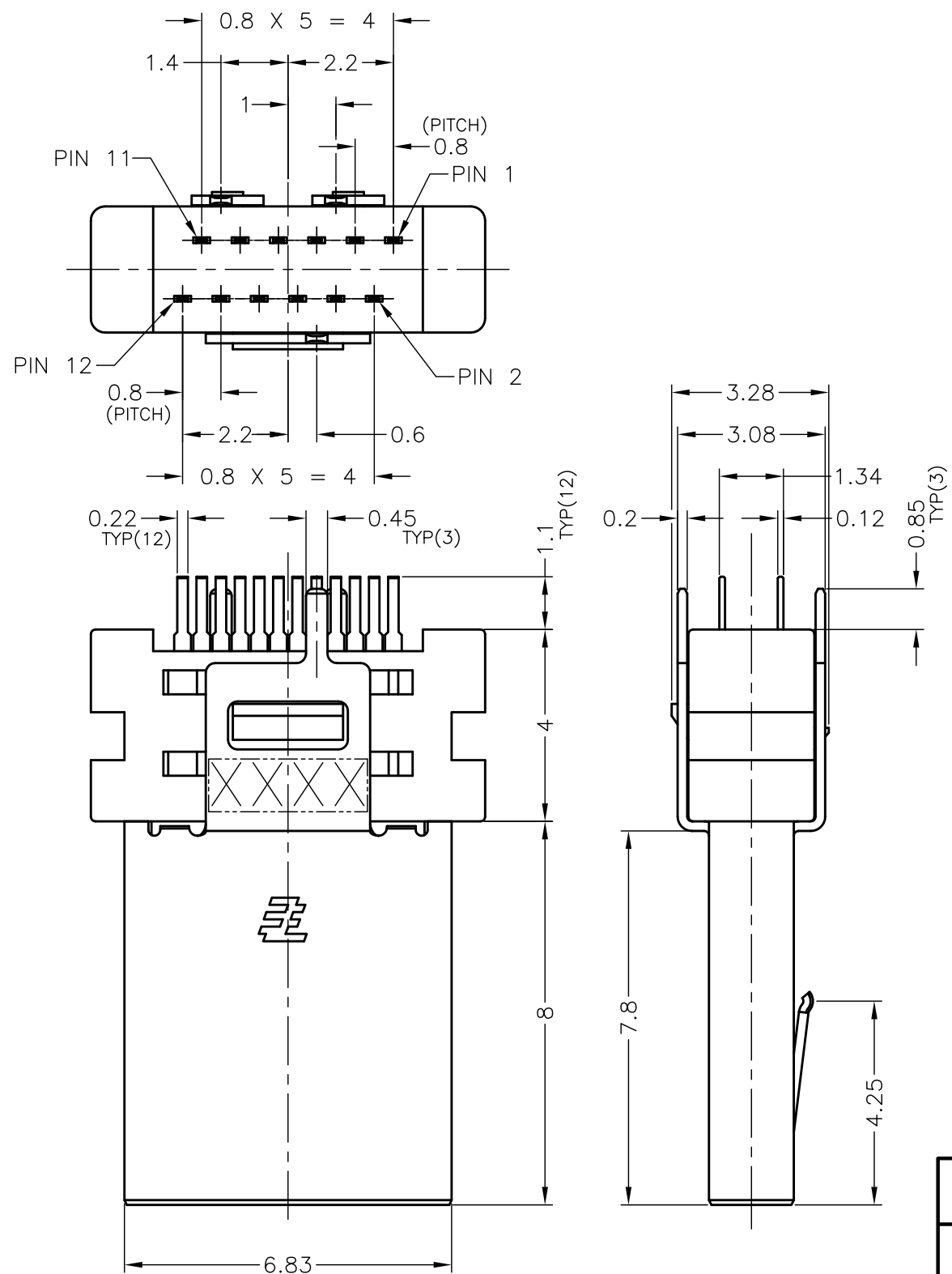
THIS DRAWING IS UNPUBLISHED.

RELEASED FOR PUBLICATION

© COPYRIGHT BY TYCO ELECTRONICS CORPORATION. ALL RIGHTS RESERVED.

LOC	DIST	REVISIONS			
P	LTR	DESCRIPTION	DATE	DWN	APVD
DW		SEE SHEET 1	-	-	-

2129295-2: AS SHOWN



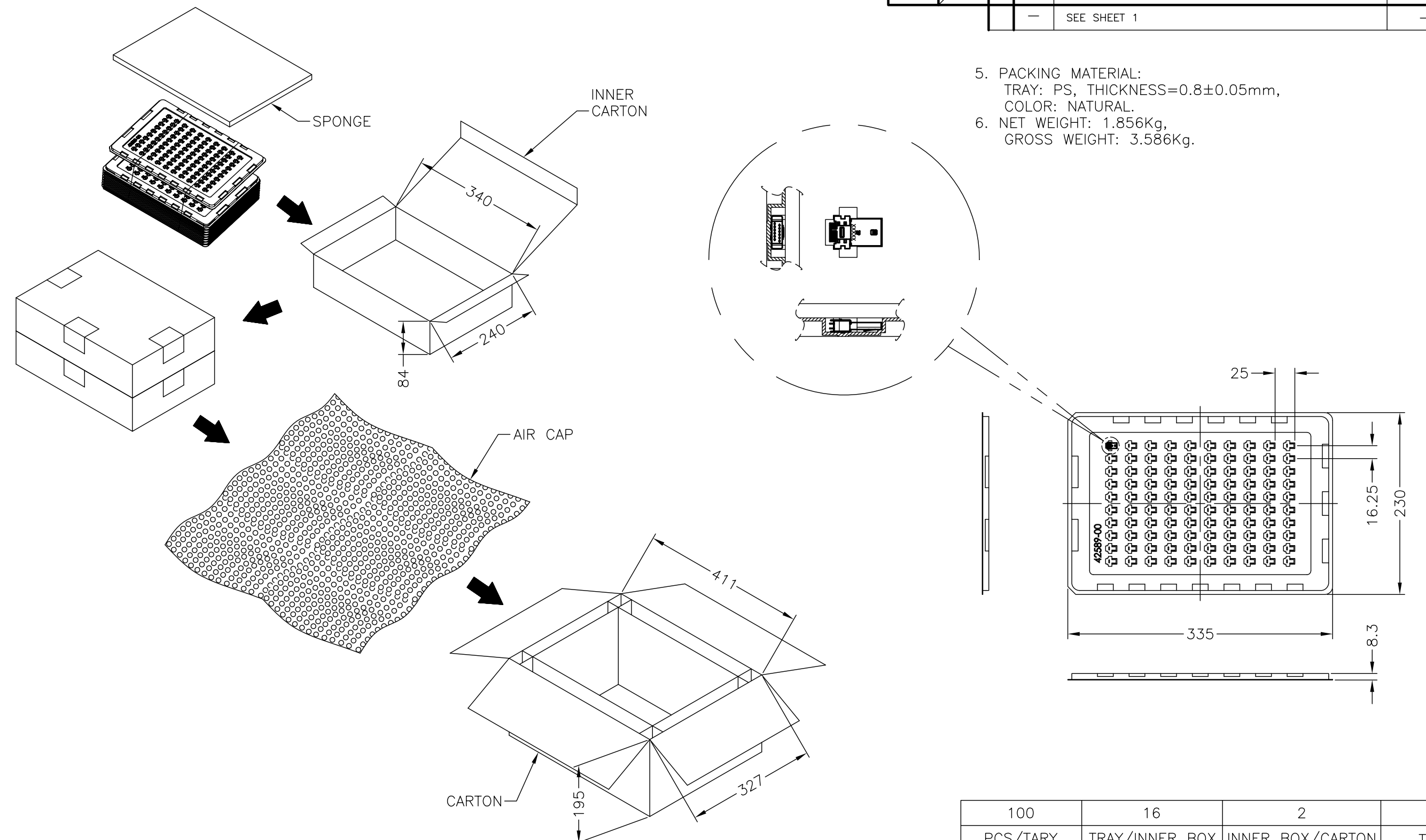
REFERENCE PCB LAYOUT 2129295-1 & -2
 (VIEWED FROM CONNECTOR MOUNTSIDE)
 TOLERANCE: NON-CUMULATIVE, ±0.05mm
 UNLESS OTHERWISE SPECIFIED

THIS DRAWING IS A CONTROLLED DOCUMENT.		DWN		Tyco Electronics Corporation Taipei, Taiwan	
DIMENSIONS: mm		CHK		NAME	
TOLERANCES UNLESS OTHERWISE SPECIFIED:		APVD		MICRO HYBRID CONNECTOR THROUGH HOLE, CRADLE TYPE PLUG ASSY	
8 PLC ±		PRODUCT SPEC		SIZE	
1 PLC ± ±0.2		APPLICATION SPEC		CAGE CODE	
2 PLC ± ±3°		WEIGHT		DRAWING NO	
3 PLC ± ±		CUSTOMER DRAWING		RESTRICTED TO	
4 PLC ± ±		SCALE		REV	
ANGLES ± ±		8:1		A	
FINISH		SHEET		REV	
		2 OF 3		A	
		A3 00779		2129295	

THIS DRAWING IS UNPUBLISHED. RELEASED FOR PUBLICATION
 © COPYRIGHT BY TYCO ELECTRONICS CORPORATION. ALL RIGHTS RESERVED.

LOC	DIST	REVISIONS			
P	LTR	DESCRIPTION	DATE	DWN	APVD
		SEE SHEET 1	-	-	-

- 5. PACKING MATERIAL:
TRAY: PS, THICKNESS=0.8±0.05mm,
COLOR: NATURAL.
- 6. NET WEIGHT: 1.856Kg,
GROSS WEIGHT: 3.586Kg.



100	16	2	3200
PCS/TARY	TRAY/INNER BOX	INNER BOX/CARTON	TOTAL Q'TY

THIS DRAWING IS A CONTROLLED DOCUMENT.		DWN		Tyco Electronics Corporation Taipei, Taiwan	
DIMENSIONS: mm		TOLERANCES UNLESS OTHERWISE SPECIFIED:		NAME	
		8 PLC ± 1 PLC ± ±1 2 PLC ± ±3 3 PLC ± ±3 4 PLC ± ± ANGLES ± ±		MICRO HYBRID CONNECTOR THROUGH HOLE, CRADLE TYPE PLUG ASSY	
MATERIAL		FINISH		SIZE CAGE CODE DRAWING NO RESTRICTED TO	
①		②		A3 00779 2129295	
CUSTOMER DRAWING				SCALE FREE SHEET 3 of 3 REV A	